

Datasheet

MAIN FEATURES

The P2041 QorIQ integrated communication processor combines four Power Architecture® processor cores with high performance data path acceleration logic and network and peripheral bus interfaces required for power intensive applications in aerospace, defence and demanding outdoor environments.

This device can be used for combined control, data path, and application layer processing. Its high level of integration offers significant performance benefits compared to multiple discrete devices, while also greatly simplifying board design.

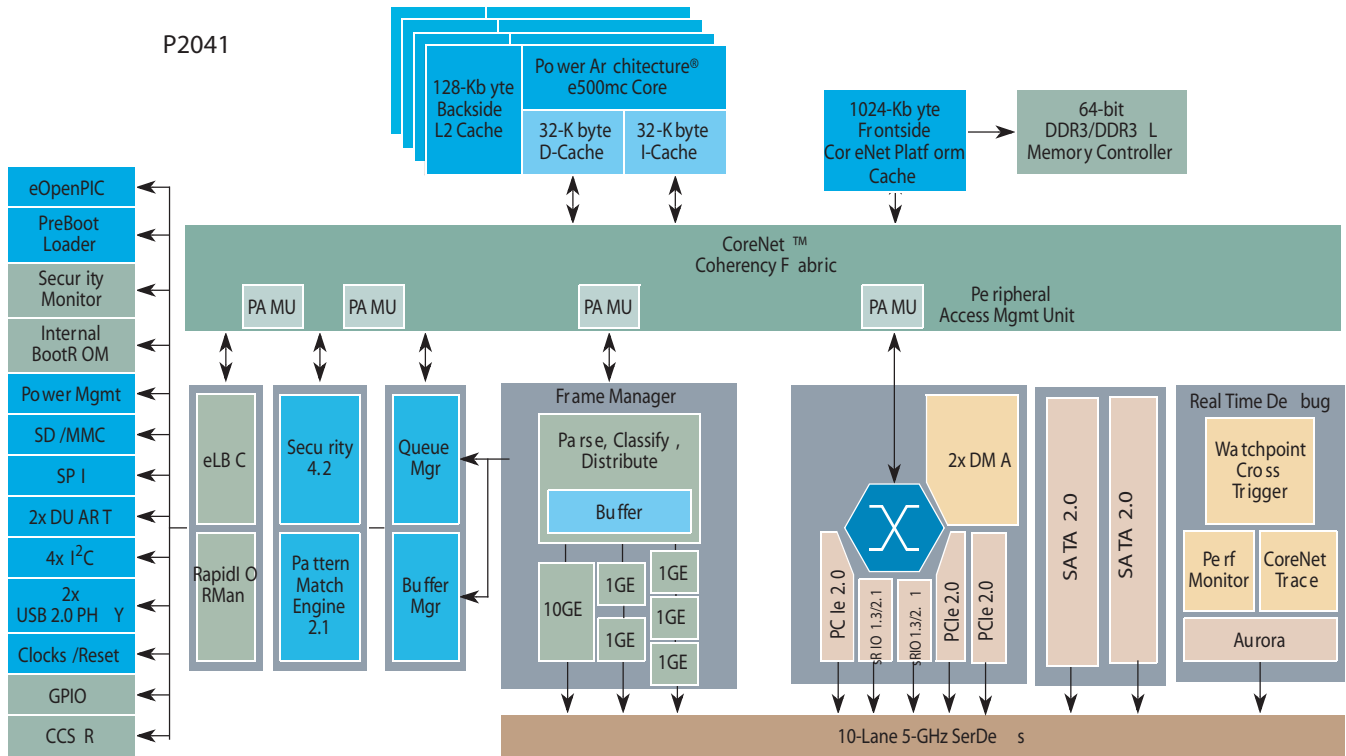
This chip includes the following functions and features:

- **Four e500mc Power Architecture Cores, Each with a Backside 128 KB L2 Cache with ECC**
 - Three Levels of Instructions: User, Supervisor, and Hypervisor
 - Independent Boot and Reset
 - Secure Boot Capability
- **CoreNet Fabric Supporting Coherent and non-coherent Transactions Amongst CoreNet Endpoints**
- **One 1 MB CoreNet Platform Cache with ECC**
- **CoreNet Bridges Between the CoreNet Fabric the I/Os, Data Path Accelerators, and High and Low Speed Peripheral Interfaces**
- **One 10-Gigabit Ethernet (XAUI) Controller**
- **Five 1-Gigabit Ethernet Controllers**
 - 2.5 Gbps SGMII Interfaces
 - RGMII Interfaces
- **One 64-bit DDR3 and DDR3L SDRAM Memory Controller with ECC**

- **Multicore Programmable Interrupt Controller**
- **Four I²C Controllers**
- **Four 2-pin UARTs or two 4-pin UARTs**
- **Two 4-channel DMA Engines**
- **Enhanced Local Bus Controller (eLBC)**
- **Three PCI Express 2.0 Controllers/Ports**
- **Two Serial RapidIO® Controllers/ports (sRIO Port) Supporting Version 1.3 with Features 2.1**
- **Two Serial ATA (SATA 2.0) Controllers**
- **Enhanced Secure Digital Host Controller (SD/MMC)**
- **Enhanced Serial Peripheral Interface (eSPI)**
- **2× High-speed USB 2.0 Controllers with Integrated PHYs**

P2041

Figure 0-1. Block Diagram



1. Pin Assignments and Reset States

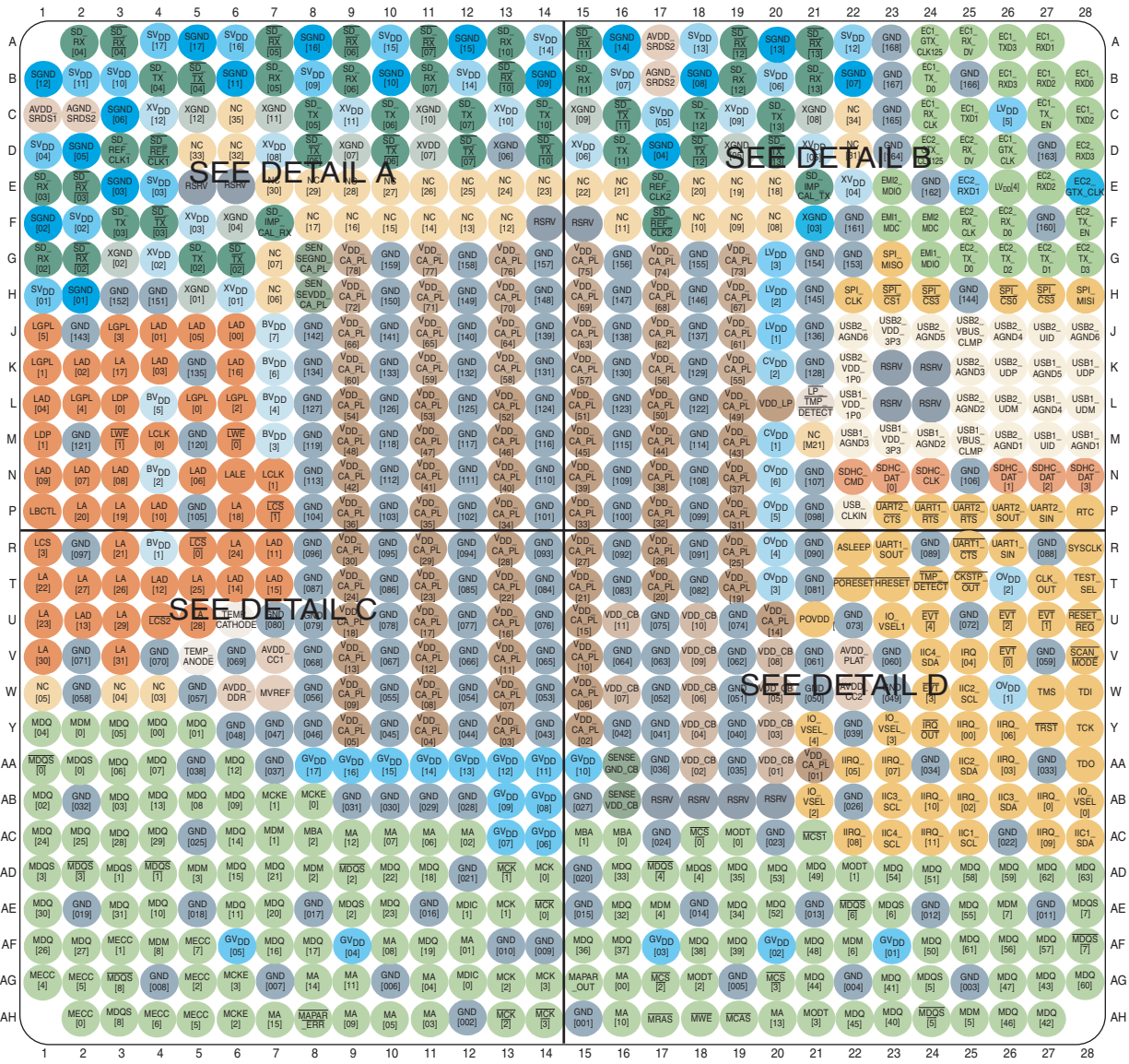
This section provides a top view of the Ball layout diagram and four detailed views by quadrant. It also provides a pinout listing by bus.

1.1 780 FC-PBGA Ball Layout Diagrams

These figures show the FC-PBGA ball map diagrams.

An Important Notice at the end of this datasheet addresses availability, warranty, changes, use in critical applications, intellectual property matters and other important disclaimers

Figure 1-1. 780 BGA Ball Map Diagram (Top View)

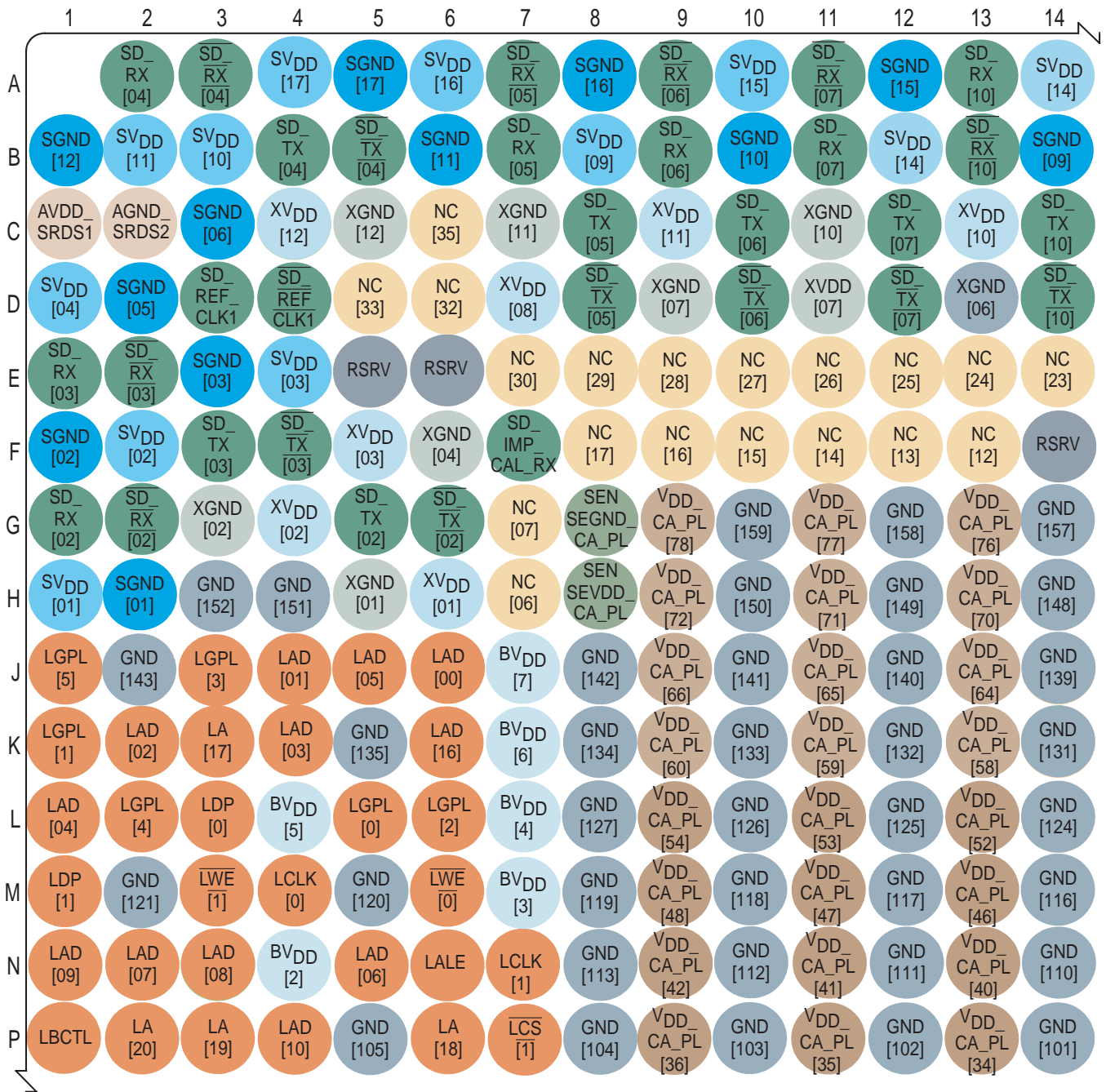


Signal Groups

- OVDD I/O Supply Voltage
- SVDD SerDes Core Power Supply
- AVDD_SRD1 SerDes 1 PLL Supply Voltage
- SENSE_VDD_CA Core Group A Voltage Sense
- LVDD I/O Supply Voltage
- XVDD SerDes Transcvr Pad Supply
- AVDD_SRD2 SerDes 2 PLL Supply Voltage
- SENSE_VDD_CB Core Group B Voltage Sense
- GVDD DDR DRAM I/O Supply
- VDD_CA_PL Core Group A & Platform Supply Voltage
- AVDD_PLAT Platform PLL Supply Voltage
- RSRV Reserved
- CVDD SPI Voltage Supply
- VDD_CB Core Group B Supply Voltage
- AVDD_CC Core PLL Supply Voltage
- POVDD Fuse Programming Override Supply
- BVDD Local Bus I/O Supply
- SENSE_VDD_CA_CB_PL Core A, B and Platform Voltage Sense

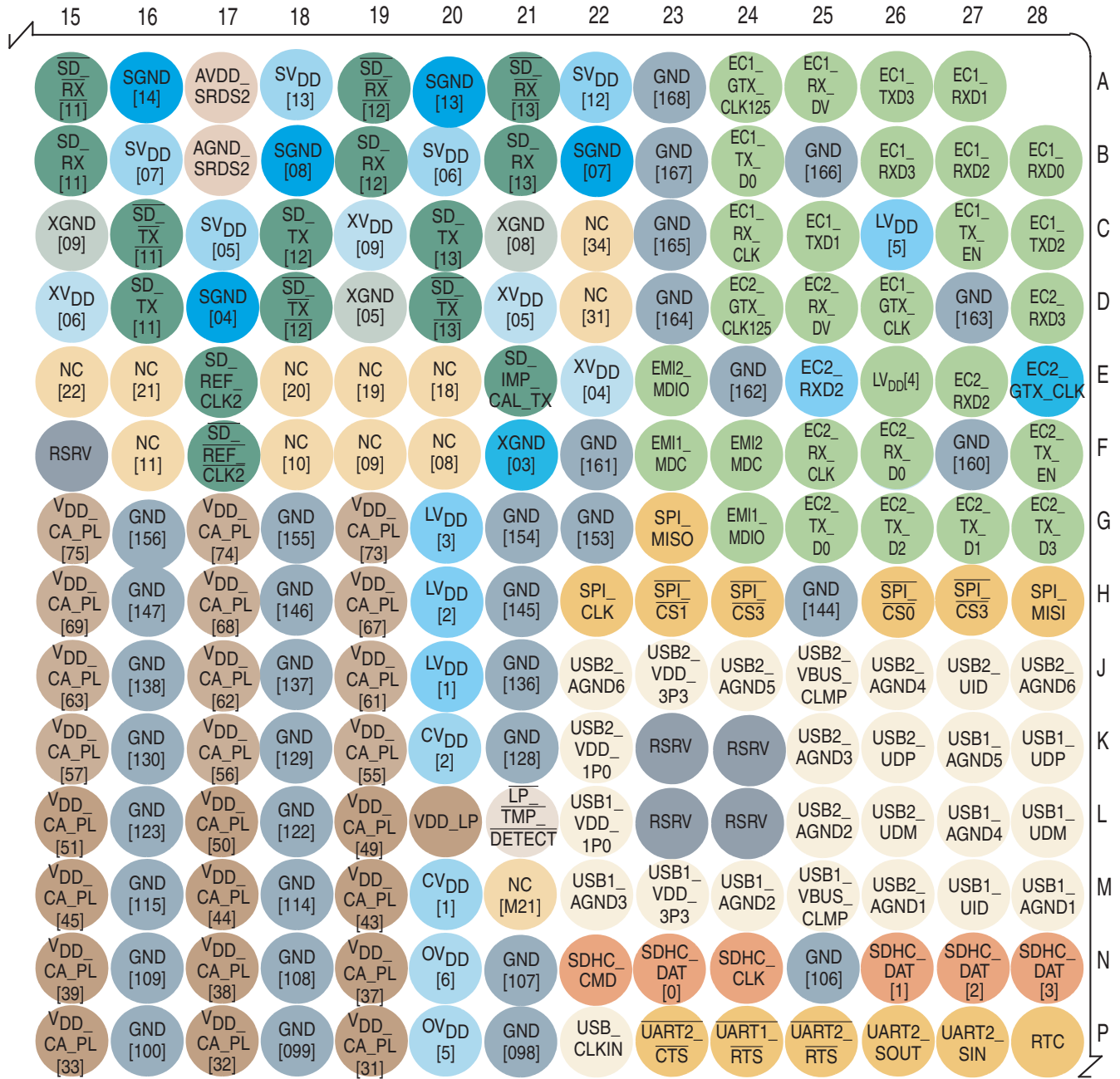
An Important Notice at the end of this datasheet addresses availability, warranty, changes, use in critical applications, intellectual property matters and other important disclaimers

Figure 1-2. 780 BGA Ball Map Diagram (Detail View A)



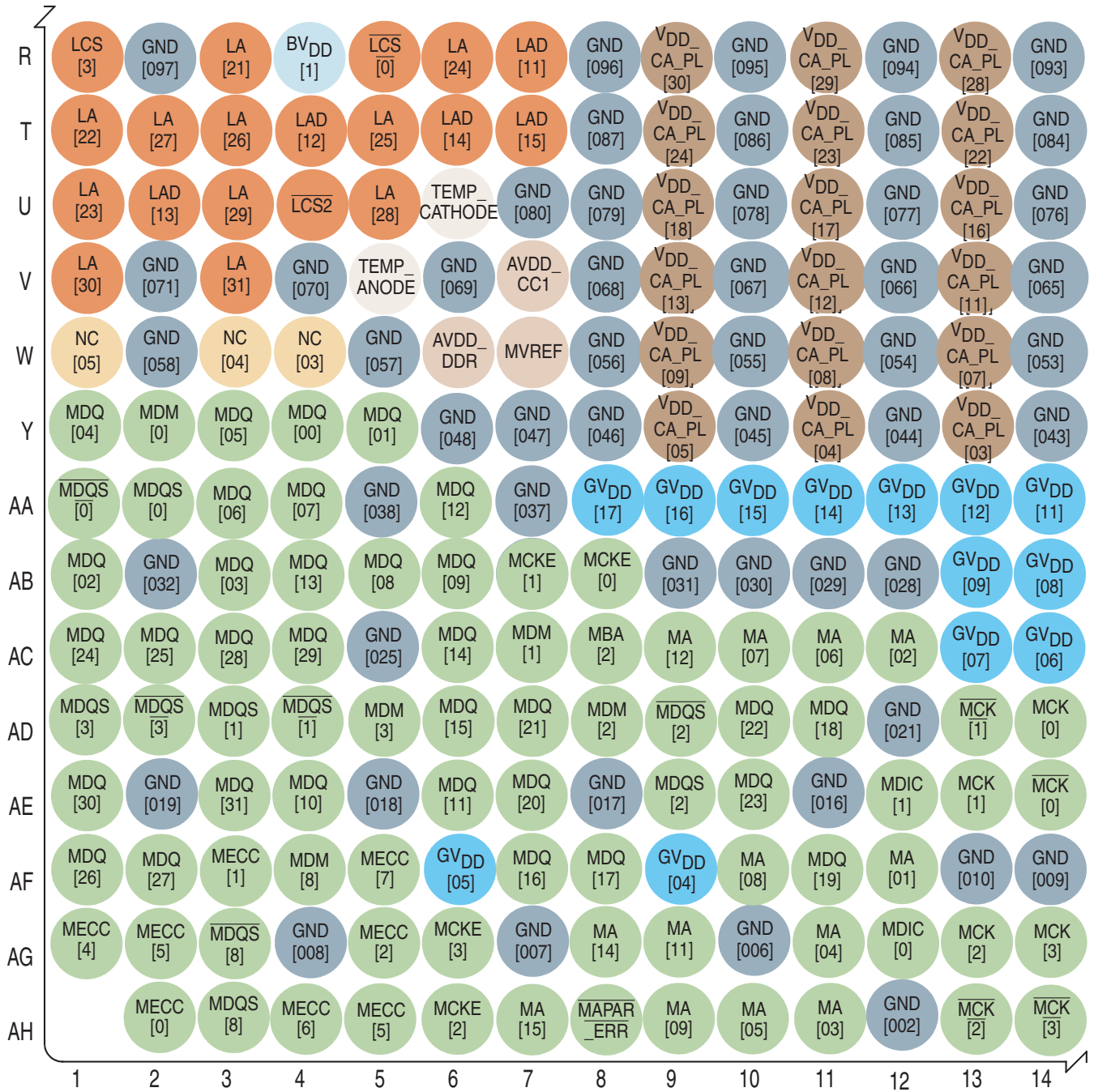
An Important Notice at the end of this datasheet addresses availability, warranty, changes, use in critical applications, intellectual property matters and other important disclaimers

Figure 1-3. 780 BGA Ball Map Diagram (Detail View B)



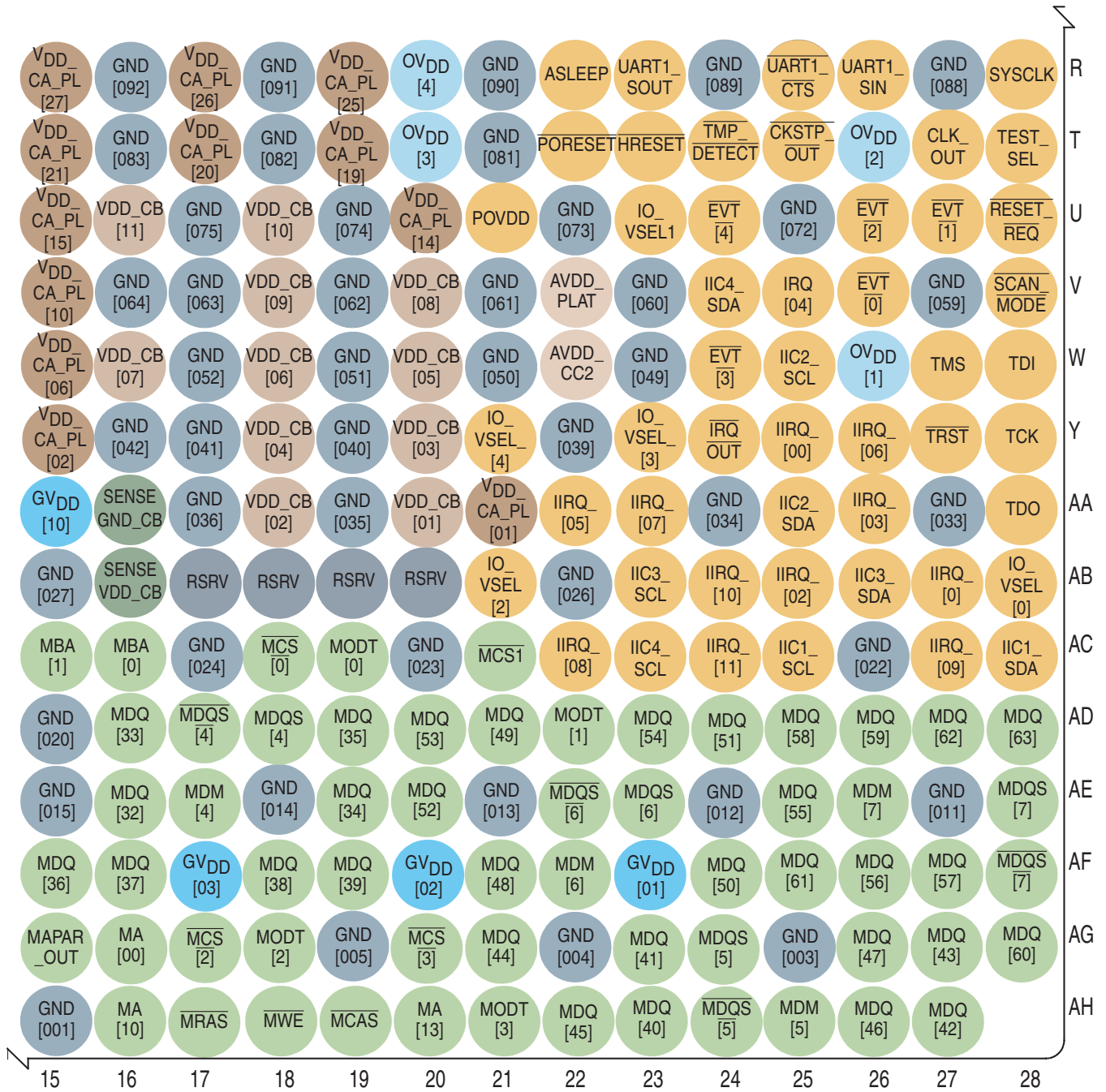
An Important Notice at the end of this datasheet addresses availability, warranty, changes, use in critical applications, intellectual property matters and other important disclaimers

Figure 1-4. 780 BGA Ball Map Diagram (Detail View C)



An Important Notice at the end of this datasheet addresses availability, warranty, changes, use in critical applications, intellectual property matters and other important disclaimers

Figure 1-5. 780 BGA Ball Map Diagram (Detail View D)



An Important Notice at the end of this datasheet addresses availability, warranty, changes, use in critical applications, intellectual property matters and other important disclaimers

1.2 Pinout List

This table provides the pinout listing for the 780 FC-PBGA package by bus. Pins for multiplexed signals appear in the bus group for their default status and have a corresponding note stating that they have multiple functionality depending on the mode in which they are configured.

Table 1-1. Pin List by Bus

Signal	Signal Description	Package Pin Number	Pin Type	Power Supply	Notes
DDR SDRAM Memory Interface					
MDQ00	Data	Y4	I/O	GV _{DD}	–
MDQ01	Data	Y5	I/O	GV _{DD}	–
MDQ02	Data	AB1	I/O	GV _{DD}	–
MDQ03	Data	AB3	I/O	GV _{DD}	–
MDQ04	Data	Y1	I/O	GV _{DD}	–
MDQ05	Data	Y3	I/O	GV _{DD}	–
MDQ06	Data	AA3	I/O	GV _{DD}	–
MDQ07	Data	AA4	I/O	GV _{DD}	–
MDQ08	Data	AB5	I/O	GV _{DD}	–
MDQ09	Data	AB6	I/O	GV _{DD}	–
MDQ10	Data	AE4	I/O	GV _{DD}	–
MDQ11	Data	AE6	I/O	GV _{DD}	–
MDQ12	Data	AA6	I/O	GV _{DD}	–
MDQ13	Data	AB4	I/O	GV _{DD}	–
MDQ14	Data	AC6	I/O	GV _{DD}	–
MDQ15	Data	AD6	I/O	GV _{DD}	–
MDQ16	Data	AF7	I/O	GV _{DD}	–
MDQ17	Data	AF8	I/O	GV _{DD}	–
MDQ18	Data	AD11	I/O	GV _{DD}	–
MDQ19	Data	AF11	I/O	GV _{DD}	–
MDQ20	Data	AE7	I/O	GV _{DD}	–
MDQ21	Data	AD7	I/O	GV _{DD}	–
MDQ22	Data	AD10	I/O	GV _{DD}	–
MDQ23	Data	AE10	I/O	GV _{DD}	–
MDQ24	Data	AC1	I/O	GV _{DD}	–
MDQ25	Data	AC2	I/O	GV _{DD}	–
MDQ26	Data	AF1	I/O	GV _{DD}	–
MDQ27	Data	AF2	I/O	GV _{DD}	–
MDQ28	Data	AC3	I/O	GV _{DD}	–
MDQ29	Data	AC4	I/O	GV _{DD}	–
MDQ30	Data	AE1	I/O	GV _{DD}	–
MDQ31	Data	AE3	I/O	GV _{DD}	–

An Important Notice at the end of this datasheet addresses availability, warranty, changes, use in critical applications, intellectual property matters and other important disclaimers

Table 1-1. Pin List by Bus (Continued)

Signal	Signal Description	Package Pin Number	Pin Type	Power Supply	Notes
MDQ32	Data	AE16	I/O	GV _{DD}	–
MDQ33	Data	AD16	I/O	GV _{DD}	–
MDQ34	Data	AE19	I/O	GV _{DD}	–
MDQ35	Data	AD19	I/O	GV _{DD}	–
MDQ36	Data	AF15	I/O	GV _{DD}	–
MDQ37	Data	AF16	I/O	GV _{DD}	–
MDQ38	Data	AF18	I/O	GV _{DD}	–
MDQ39	Data	AF19	I/O	GV _{DD}	–
MDQ40	Data	AH23	I/O	GV _{DD}	–
MDQ41	Data	AG23	I/O	GV _{DD}	–
MDQ42	Data	AH27	I/O	GV _{DD}	–
MDQ43	Data	AG27	I/O	GV _{DD}	–
MDQ44	Data	AG21	I/O	GV _{DD}	–
MDQ45	Data	AH22	I/O	GV _{DD}	–
MDQ46	Data	AH26	I/O	GV _{DD}	–
MDQ47	Data	AG26	I/O	GV _{DD}	–
MDQ48	Data	AF21	I/O	GV _{DD}	–
MDQ49	Data	AD21	I/O	GV _{DD}	–
MDQ50	Data	AF24	I/O	GV _{DD}	–
MDQ51	Data	AD24	I/O	GV _{DD}	–
MDQ52	Data	AE20	I/O	GV _{DD}	–
MDQ53	Data	AD20	I/O	GV _{DD}	–
MDQ54	Data	AD23	I/O	GV _{DD}	–
MDQ55	Data	AE25	I/O	GV _{DD}	–
MDQ56	Data	AF26	I/O	GV _{DD}	–
MDQ57	Data	AF27	I/O	GV _{DD}	–
MDQ58	Data	AD25	I/O	GV _{DD}	–
MDQ59	Data	AD26	I/O	GV _{DD}	–
MDQ60	Data	AG28	I/O	GV _{DD}	–
MDQ61	Data	AF25	I/O	GV _{DD}	–
MDQ62	Data	AD27	I/O	GV _{DD}	–
MDQ63	Data	AD28	I/O	GV _{DD}	–
MECC0	Error Correcting Code	AH2	I/O	GV _{DD}	–
MECC1	Error Correcting Code	AF3	I/O	GV _{DD}	–
MECC2	Error Correcting Code	AG5	I/O	GV _{DD}	–
MECC3	Error Correcting Code	AH5	I/O	GV _{DD}	–
MECC4	Error Correcting Code	AG1	I/O	GV _{DD}	–

An Important Notice at the end of this datasheet addresses availability, warranty, changes, use in critical applications, intellectual property matters and other important disclaimers

Table 1-1. Pin List by Bus (Continued)

Signal	Signal Description	Package Pin Number	Pin Type	Power Supply	Notes
MECC5	Error Correcting Code	AG2	I/O	GV _{DD}	–
MECC6	Error Correcting Code	AH4	I/O	GV _{DD}	–
MECC7	Error Correcting Code	AF5	I/O	GV _{DD}	–
$\overline{\text{MAPAR_ERR}}$	Address Parity Error	AH8	I	GV _{DD}	(4)
MAPAR_OUT	Address Parity Out	AG15	O	GV _{DD}	–
MDM0	Data Mask	Y2	O	GV _{DD}	–
MDM1	Data Mask	AC7	O	GV _{DD}	–
MDM2	Data Mask	AD8	O	GV _{DD}	–
MDM3	Data Mask	AD5	O	GV _{DD}	–
MDM4	Data Mask	AE17	O	GV _{DD}	–
MDM5	Data Mask	AH25	O	GV _{DD}	–
MDM6	Data Mask	AF22	O	GV _{DD}	–
MDM7	Data Mask	AE26	O	GV _{DD}	–
MDM8	Data Mask	AF4	O	GV _{DD}	–
MDQS0	Data Strobe	AA2	I/O	GV _{DD}	–
MDQS1	Data Strobe	AD3	I/O	GV _{DD}	–
MDQS2	Data Strobe	AE9	I/O	GV _{DD}	–
MDQS3	Data Strobe	AD1	I/O	GV _{DD}	–
MDQS4	Data Strobe	AD18	I/O	GV _{DD}	–
MDQS5	Data Strobe	AG24	I/O	GV _{DD}	–
MDQS6	Data Strobe	AE23	I/O	GV _{DD}	–
MDQS7	Data Strobe	AE28	I/O	GV _{DD}	–
MDQS8	Data Strobe	AH3	I/O	GV _{DD}	–
$\overline{\text{MDQS0}}$	Data Strobe	AA1	I/O	GV _{DD}	–
$\overline{\text{MDQS1}}$	Data Strobe	AD4	I/O	GV _{DD}	–
$\overline{\text{MDQS2}}$	Data Strobe	AD9	I/O	GV _{DD}	–
$\overline{\text{MDQS3}}$	Data Strobe	AD2	I/O	GV _{DD}	–
$\overline{\text{MDQS4}}$	Data Strobe	AD17	I/O	GV _{DD}	–
$\overline{\text{MDQS5}}$	Data Strobe	AH24	I/O	GV _{DD}	–
$\overline{\text{MDQS6}}$	Data Strobe	AE22	I/O	GV _{DD}	–
$\overline{\text{MDQS7}}$	Data Strobe	AF28	I/O	GV _{DD}	–
$\overline{\text{MDQS8}}$	Data Strobe	AG3	I/O	GV _{DD}	–
MBA0	Bank Select	AC16	O	GV _{DD}	–
MBA1	Bank Select	AC15	O	GV _{DD}	–
MBA2	Bank Select	AC8	O	GV _{DD}	–
MA00	Address	AG16	O	GV _{DD}	–
MA01	Address	AF12	O	GV _{DD}	–

An Important Notice at the end of this datasheet addresses availability, warranty, changes, use in critical applications, intellectual property matters and other important disclaimers

Table 1-1. Pin List by Bus (Continued)

Signal	Signal Description	Package Pin Number	Pin Type	Power Supply	Notes
MA02	Address	AC12	O	GV _{DD}	–
MA03	Address	AH11	O	GV _{DD}	–
MA04	Address	AG11	O	GV _{DD}	–
MA05	Address	AH10	O	GV _{DD}	–
MA06	Address	AC11	O	GV _{DD}	–
MA07	Address	AC10	O	GV _{DD}	–
MA08	Address	AF10	O	GV _{DD}	–
MA09	Address	AH9	O	GV _{DD}	–
MA10	Address	AH16	O	GV _{DD}	–
MA11	Address	AG9	O	GV _{DD}	–
MA12	Address	AC9	O	GV _{DD}	–
MA13	Address	AH20	O	GV _{DD}	–
MA14	Address	AG8	O	GV _{DD}	–
MA15	Address	AH7	O	GV _{DD}	–
$\overline{\text{MWE}}$	Write Enable	AH18	O	GV _{DD}	–
$\overline{\text{MRAS}}$	Row Address Strobe	AH17	O	GV _{DD}	–
$\overline{\text{MCAS}}$	Column Address Strobe	AH19	O	GV _{DD}	–
$\overline{\text{MCS0}}$	Chip Select	AC18	O	GV _{DD}	–
$\overline{\text{MCS1}}$	Chip Select	AC21	O	GV _{DD}	–
$\overline{\text{MCS2}}$	Chip Select	AG17	O	GV _{DD}	–
$\overline{\text{MCS3}}$	Chip Select	AG20	O	GV _{DD}	–
MCKE0	Clock Enable	AB8	O	GV _{DD}	–
MCKE1	Clock Enable	AB7	O	GV _{DD}	–
MCKE2	Clock Enable	AH6	O	GV _{DD}	–
MCKE3	Clock Enable	AG6	O	GV _{DD}	–
MCK0	Clock	AD14	O	GV _{DD}	–
MCK1	Clock	AE13	O	GV _{DD}	–
MCK2	Clock	AG13	O	GV _{DD}	–
MCK3	Clock	AG14	O	GV _{DD}	–
$\overline{\text{MCK0}}$	Clock Complements	AE14	O	GV _{DD}	–
$\overline{\text{MCK1}}$	Clock Complements	AD13	O	GV _{DD}	–
$\overline{\text{MCK2}}$	Clock Complements	AH13	O	GV _{DD}	–
$\overline{\text{MCK3}}$	Clock Complements	AH14	O	GV _{DD}	–
MODT0	On Die Termination	AC19	O	GV _{DD}	–
MODT1	On Die Termination	AD22	O	GV _{DD}	–
MODT2	On Die Termination	AG18	O	GV _{DD}	–
MODT3	On Die Termination	AH21	O	GV _{DD}	–

An Important Notice at the end of this datasheet addresses availability, warranty, changes, use in critical applications, intellectual property matters and other important disclaimers

Table 1-1. Pin List by Bus (Continued)

Signal	Signal Description	Package Pin Number	Pin Type	Power Supply	Notes
MDIC0	Driver Impedance Calibration	AG12	I/O	GV _{DD}	(16)
MDIC1	Driver Impedance Calibration	AE12	I/O	GV _{DD}	(16)
Local Bus Controller Interface					
LAD00	Muxed Data/Address	J6	I/O	BV _{DD}	(3)
LAD01	Muxed Data/Address	J4	I/O	BV _{DD}	(3)
LAD02	Muxed Data/Address	K2	I/O	BV _{DD}	(3)
LAD03	Muxed Data/Address	K4	I/O	BV _{DD}	(3)
LAD04	Muxed Data/Address	L1	I/O	BV _{DD}	(3)
LAD05	Muxed Data/Address	J5	I/O	BV _{DD}	(3)
LAD06	Muxed Data/Address	N5	I/O	BV _{DD}	(3)
LAD07	Muxed Data/Address	N2	I/O	BV _{DD}	(3)
LAD08	Muxed Data/Address	N3	I/O	BV _{DD}	(3)
LAD09	Muxed Data/Address	N1	I/O	BV _{DD}	(3)
LAD10	Muxed Data/Address	P4	I/O	BV _{DD}	(3)
LAD11	Muxed Data/Address	R7	I/O	BV _{DD}	(3)
LAD12	Muxed Data/Address	T4	I/O	BV _{DD}	(3)
LAD13	Muxed Data/Address	U2	I/O	BV _{DD}	(3)
LAD14	Muxed Data/Address	T6	I/O	BV _{DD}	(3)
LAD15	Muxed Data/Address	T7	I/O	BV _{DD}	(3)
LA16	Address	K6	I/O	BV _{DD}	(31)
LA17	Address	K3	I/O	BV _{DD}	(37)
LA18	Address	P6	I/O	BV _{DD}	(31)
LA19	Address	P3	I/O	BV _{DD}	(31)
LA20	Address	P2	I/O	BV _{DD}	(31)
LA21	Address	R3	I/O	BV _{DD}	(31)
LA22	Address	T1	I/O	BV _{DD}	(31)
LA23	Address	U1	I/O	BV _{DD}	(3)
LA24	Address	R6	I/O	BV _{DD}	(3)
LA25	Address	T5	I/O	BV _{DD}	(31)
LA26	Address	T3	I/O	BV _{DD}	(3)(29)
LA27	Address	T2	O	BV _{DD}	–
LA28	Address	U5	I/O	BV _{DD}	–
LA29	Address	U3	I/O	BV _{DD}	–
LA30	Address	V1	I/O	BV _{DD}	–
LA31	Address	V3	I/O	BV _{DD}	–
LDP0	Data Parity	L3	I/O	BV _{DD}	–
LDP1	Data Parity	M1	I/O	BV _{DD}	–

An Important Notice at the end of this datasheet addresses availability, warranty, changes, use in critical applications, intellectual property matters and other important disclaimers

Table 1-1. Pin List by Bus (Continued)

Signal	Signal Description	Package Pin Number	Pin Type	Power Supply	Notes
$\overline{\text{LCS0}}$	Chip Selects	R5	O	BV_{DD}	(5)
$\overline{\text{LCS1}}$	Chip Selects	P7	O	BV_{DD}	(5)
$\overline{\text{LCS2}}$	Chip Selects	U4	O	BV_{DD}	(5)
$\overline{\text{LCS3}}$	Chip Selects	R1	O	BV_{DD}	(5)
$\overline{\text{LWE0}}$	Write Enable	M6	O	BV_{DD}	–
$\overline{\text{LWE1}}$	Write Enable	M3	O	BV_{DD}	–
LBCTL	Buffer Control	P1	O	BV_{DD}	–
LALE	Address Latch Enable	N6	I/O	BV_{DD}	–
LGPL0/LFCLE	UPM General Purpose Line 0/ LFCLE–FCM	L5	O	BV_{DD}	(3)(4)
LGPL1/LFALE	UPM General Purpose Line 1/ LFALE–FCM	K1	O	BV_{DD}	(3)(4)
LGPL2/ $\overline{\text{LOE}}$ / $\overline{\text{LFRE}}$	UPM General Purpose Line 2/ LOE_B–Output Enable	L6	O	BV_{DD}	(3)(4)
LGPL3/ $\overline{\text{LFWP}}$	UPM General Purpose Line 3/ LFWP_B–FCM	J3	O	BV_{DD}	(3)(4)
LGPL4/ $\overline{\text{LGTA}}$ /LUPWAIT/LPBSE	UPM General Purpose Line 4/ LGTA_B–FCM	L2	I/O	BV_{DD}	(36)
LGPL5	UPM General Purpose Line 5 / Amux	J1	O	BV_{DD}	(3)(4)
LCLK0	Local Bus Clock	M4	O	BV_{DD}	–
LCLK1	Local Bus Clock	N7	O	BV_{DD}	–
DMA					
$\overline{\text{DMA1_DREQ0}}$ /IIC4_SCL/ $\overline{\text{EVT5}}$ / M1SRCID1/LB_SRCID1/GPIO18	DMA1 Channel 0 Request	AC23	I	OV_{DD}	(24)
$\overline{\text{DMA1_DACK0}}$ /IIC3_SCL/GPIO16/ SDHC_CD/M1DVAL/LB_DVAL	DMA1 Channel 0 Acknowledge	AB23	O	OV_{DD}	(2)(14)
$\overline{\text{DMA1_DDONE0}}$ /IIC3_SDA/GPIO17/M1SR CID0/LB_SRCID0/SDHC_WP	DMA1 Channel 0 Done	AB26	O	OV_{DD}	(2)(14)
$\overline{\text{DMA2_DREQ0}}$ /IRQ03/GPIO21	DMA2 Channel 0 Request	AA26	I	OV_{DD}	(24)
$\overline{\text{DMA2_DACK0}}$ /IRQ04/GPIO22	DMA2 Channel 0 Acknowledge	V25	O	OV_{DD}	(24)
$\overline{\text{DMA2_DDONE0}}$ /IRQ05/GPIO23	DMA2 Channel 0 Done	AA22	O	OV_{DD}	(24)
USB Host Port 1					
USB1_UDP	USB1 PHY Data Plus	K28	I/O	$\text{USB_V}_{\text{DD_3P3}}$	–
USB1_UDM	USB1 PHY Data Minus	L28	I/O	$\text{USB_V}_{\text{DD_3P3}}$	–
USB1_VBUS_CLMP	USB1 PHY VBUS Divided Signals	M25	I	$\text{USB_V}_{\text{DD_3P3}}$	(34)
USB1_UID	USB1 PHY ID Detect	M27	I	$\text{USB_V}_{\text{DD_3P3}}$	–
USB_CLKIN	USB PHY Clock Input	P22	I	OV_{DD}	–
USB1_DRVVBUS/GPIO24/IRQ6	USB1 5 V Supply Enable	Y26	O	OV_{DD}	–
USB1_PWRFAULT/GPIO25/IRQ7	USB Power Fault	AA23	I	OV_{DD}	–
USB Host Port 2					
USB2_UDP	USB2 PHY Data Plus	K26	I/O	$\text{USB_V}_{\text{DD_3P3}}$	–

An Important Notice at the end of this datasheet addresses availability, warranty, changes, use in critical applications, intellectual property matters and other important disclaimers

Table 1-1. Pin List by Bus (Continued)

Signal	Signal Description	Package Pin Number	Pin Type	Power Supply	Notes
USB2_UDM	USB2 PHY Data Minus	L26	I/O	USB_V _{DD_3P3}	–
USB2_VBUS_CLMP	USB2 PHY VBUS Divided Signals	J25	I	USB_V _{DD_3P3}	(34)
USB2_UID	USB2 PHY ID Detect	J27	I	USB_V _{DD_3P3}	–
USB2_DRVVBUS/GPIO26/IRQ8	USB2 5 V Supply Enable	AC22	I/O	OV _{DD}	–
USB2_PWRFAULT/GPIO27/IRQ9	USB2 Power Fault	AC27	I/O	OV _{DD}	–
Programmable Interrupt Controller					
IRQ00	External Interrupts	Y25	I	OV _{DD}	–
IRQ01	External Interrupts	AB27	I	OV _{DD}	–
IRQ02	External Interrupts	AB25	I	OV _{DD}	–
IRQ03/GPIO21/DMA2_DREQ0	External Interrupts	AA26	I	OV _{DD}	(24)
IRQ04/GPIO22/DMA2_DACK0	External Interrupts	V25	I	OV _{DD}	(24)
IRQ05/GPIO23/DMA2_DDONE0	External Interrupts	AA22	I	OV _{DD}	(24)
IRQ06/GPIO24/USB1_DRVVBUS	External Interrupts	Y26	I	OV _{DD}	(24)
IRQ07/GPIO25/USB1_PWRFAULT	External Interrupts	AA23	I	OV _{DD}	(24)
IRQ08/GPIO26/USB2_DRVVBUS	External Interrupts	AC22	I	OV _{DD}	(24)
IRQ09/GPIO27/USB2_PWRFAULT	External Interrupts	AC27	I	OV _{DD}	(24)
IRQ10/GPIO28/EVT7	External Interrupts	AB24	I	OV _{DD}	(24)
IRQ11/GPIO29/EVT8	External Interrupts	AC24	I	OV _{DD}	(24)
IRQ_OUT/EVT9	Interrupt Output	Y24	O	OV _{DD}	(1)(2)(24)
Trust					
TMP_DETECT	Tamper Detect	T24	I	OV _{DD}	(25)
LP_TMP_DETECT	Low Power Tamper Detect	L21	I	V _{DD_LP}	(25)
eSDHC					
SDHC_CMD	Command/Response	N22	I/O	CV _{DD}	–
SDHC_DAT0	Data	N23	I/O	CV _{DD}	–
SDHC_DAT1	Data	N26	I/O	CV _{DD}	–
SDHC_DAT2	Data	N27	I/O	CV _{DD}	–
SDHC_DAT3	Data	N28	I/O	CV _{DD}	–
SDHC_DAT4/SPI_CS0/GPIO00	Data	H26	I/O	CV _{DD}	(24)(28)
SDHC_DAT5/SPI_CS1/GPIO01	Data	H23	I/O	CV _{DD}	(24)(28)
SDHC_DAT6/SPI_CS2/GPIO02	Data	H27	I/O	CV _{DD}	(24)(28)
SDHC_DAT7/SPI_CS3/GPIO03	Data	H24	I/O	CV _{DD}	(24)(28)
SDHC_CLK	Host to Card Clock	N24	O	OV _{DD}	–
SDHC_CD/IIC3_SCL/GPIO16/ M1DVAL/LB_DVAL/DMA1_DACK0	Card Detection	AB23	I/O	OV _{DD}	(24)(28)
SDHC_WP/IIC3_SDA/GPIO17/ M1SRCID0/LB_SRCID0/DMA1_DDONE0	Card Write Protection	AB26	I	OV _{DD}	(24)(28)

An Important Notice at the end of this datasheet addresses availability, warranty, changes, use in critical applications, intellectual property matters and other important disclaimers

Table 1-1. Pin List by Bus (Continued)

Signal	Signal Description	Package Pin Number	Pin Type	Power Supply	Notes
eSPI					
SPI_MOSI	Master Out Slave In	H28	I/O	CV _{DD}	–
SPI_MISO	Master In Slave Out	G23	I	CV _{DD}	–
SPI_CLK	eSPI Clock	H22	O	CV _{DD}	–
SPI_CS0/SDHC_DAT4/GPIO00	eSPI Chip Select	H26	O	CV _{DD}	(24)
SPI_CS1/SDHC_DAT5/GPIO01	eSPI Chip Select	H23	O	CV _{DD}	(24)
SPI_CS2/SDHC_DAT6/GPIO02	eSPI Chip Select	H27	O	CV _{DD}	(24)
SPI_CS3/SDHC_DAT7/GPIO03	eSPI Chip Select	H24	O	CV _{DD}	(24)
IEEE 1588					
TSEC_1588_CLK_IN/EC1_RXD2	Clock In	B27	I	LV _{DD}	–
TSEC_1588_TRIG_IN1/EC1_RXD0	Trigger In 1	B28	I	LV _{DD}	–
TSEC_1588_TRIG_IN2/EC1_RXD1	Trigger In 2	A27	I	LV _{DD}	–
TSEC_1588_ALARM_OUT1/EC1_TXD0	Alarm Out 1	B24	O	LV _{DD}	–
TSEC_1588_ALARM_OUT2/ EC1_TXD1/GPIO30	Alarm Out 2	C25	O	LV _{DD}	(23)
TSEC_1588_CLK_OUT/EC1_RXD3	Clock Out	B26	O	LV _{DD}	–
TSEC_1588_PULSE_OUT1/EC1_TXD2	Pulse Out1	C28	O	LV _{DD}	–
TSEC_1588_PULSE_OUT2/EC1_TXD3/ G PIO31	Pulse Out2	A26	O	LV _{DD}	(23)
Ethernet Management Interface 1					
EMI1_MDC	Management Data Clock	F23	O	LV _{DD}	–
EMI1_MDIO	Management Data In/Out	G24	I/O	LV _{DD}	–
Ethernet Management Interface 2					
EMI2_MDC	Management Data Clock	F24	O	1.2 V	(2)(17) (20)
EMI2_MDIO	Management Data In/Out	E23	I/O	1.2 V	(2)(17) (20)
Ethernet Reference Clock					
EC1_GTX_CLK125/EC_XTRNL_TX_STMP 2	Reference Clock (RGMII)	A24	I	LV _{DD}	(25)
EC2_GTX_CLK125	Reference Clock (RGMII)	D24	I	LV _{DD}	(25)
Ethernet External Timestamping					
EC_XTRNL_TX_STMP1/EC1_TX_EN	External Timestamp Transmit 1	C27	I	LV _{DD}	–
EC_XTRNL_RX_STMP1/EC1_RX_DV	External Timestamp Receive 1	A25	I	LV _{DD}	–
EC_XTRNL_TX_STMP2/EC1_GTX_CLK12 5	External Timestamp Transmit 2	A24	I	LV _{DD}	–
EC_XTRNL_RX_STMP2/EC1_RX_CLK	External Timestamp Receive 2	C24	I	LV _{DD}	–
Three-Speed Ethernet Controller 1					
EC1_TXD3/TSEC_1588_PULSE_OUT2/ G PIO31	Transmit Data	A26	O	LV _{DD}	–
EC1_TXD2/TSEC_1588_PULSE_OUT1	Transmit Data	C28	O	LV _{DD}	–

An Important Notice at the end of this datasheet addresses availability, warranty, changes, use in critical applications, intellectual property matters and other important disclaimers

Table 1-1. Pin List by Bus (Continued)

Signal	Signal Description	Package Pin Number	Pin Type	Power Supply	Notes
EC1_TXD1/TSEC_1588_ALARM_OUT2/ G PIO30	Transmit Data	C25	O	LV _{DD}	–
EC1_TXD0/TSEC_1588_ALARM_OUT1	Transmit Data	B24	O	LV _{DD}	–
EC1_TX_EN/EC_XTRNL_TX_STMP1	Transmit Enable	C27	O	LV _{DD}	(15)
EC1_GTX_CLK	Transmit Clock Out (RGMII)	D26	O	LV _{DD}	(24)
EC1_RXD3/TSEC_1588_CLK_OUT	Receive Data	B26	I	LV _{DD}	(25)
EC1_RXD2/TSEC_1588_CLK_IN	Receive Data	B27	I	LV _{DD}	(25)
EC1_RXD1/TSEC_1588_TRIG_IN2	Receive Data	A27	I	LV _{DD}	(25)
EC1_RXD0/TSEC_1588_TRIG_IN1	Receive Data	B28	I	LV _{DD}	(25)
EC1_RX_DV/EC_XTRNL_RX_STMP1	Receive Data Valid	A25	I	LV _{DD}	(25)
EC1_RX_CLK/EC_XTRNL_RX_STMP2	Receive Clock	C24	I	LV _{DD}	(25)
Three-Speed Ethernet Controller 2					
EC2_TXD3	Transmit Data	G28	O	LV _{DD}	–
EC2_TXD2	Transmit Data	G26	O	LV _{DD}	–
EC2_TXD1	Transmit Data	G27	O	LV _{DD}	–
EC2_TXD0	Transmit Data	G25	O	LV _{DD}	–
EC2_TX_EN	Transmit Enable	F28	O	LV _{DD}	(15)
EC2_GTX_CLK	Transmit Clock Out (RGMII)	E28	O	LV _{DD}	(24)
EC2_RXD3	Receive Data	D28	I	LV _{DD}	(25)
EC2_RXD2	Receive Data	E27	I	LV _{DD}	(25)
EC2_RXD1	Receive Data	E25	I	LV _{DD}	(24)(25)
EC2_RXD0	Receive Data	F26	I	LV _{DD}	(24)(25)
EC2_RX_DV	Receive Data Valid	D25	I	LV _{DD}	(25)
EC2_RX_CLK	Receive Clock	F25	I	LV _{DD}	(25)
UART					
UART1_SOUT/GPIO8	Transmit Data	R23	O	OV _{DD}	(24)
UART2_SOUT/GPIO9	Transmit Data	P26	O	OV _{DD}	(24)
UART1_SIN/GPIO10	Receive Data	R26	I	OV _{DD}	(24)
UART2_SIN/GPIO11	Receive Data	P27	I	OV _{DD}	(24)
UART1_RTS/UART3_SOUT/GPIO12	Ready to Send	P24	O	OV _{DD}	(24)
UART2_RTS/UART4_SOUT/GPIO13	Ready to Send	P25	O	OV _{DD}	(24)
UART1_CTS/UART3_SIN/GPIO14	Clear to Send	R25	I	OV _{DD}	(24)
UART2_CTS/UART4_SIN/GPIO15	Clear to Send	P23	I	OV _{DD}	(24)
I²C Interface					
IIC1_SCL	Serial Clock	AC25	I/O	OV _{DD}	(2)(14)
IIC1_SDA	Serial Data	AC28	I/O	OV _{DD}	(2)(14)
IIC2_SCL	Serial Clock	W25	I/O	OV _{DD}	(2)(14)

An Important Notice at the end of this datasheet addresses availability, warranty, changes, use in critical applications, intellectual property matters and other important disclaimers

Table 1-1. Pin List by Bus (Continued)

Signal	Signal Description	Package Pin Number	Pin Type	Power Supply	Notes
IIC2_SDA	Serial Data	AA25	I/O	OV _{DD}	(2)(14)
IIC3_SCL/GPIO16/M1DVAL/LB_DVAL/DMA1_DACK0/SDHC_CD	Serial Clock	AB23	I/O	OV _{DD}	(2)(14)
IIC3_SDA/GPIO17/M1SRCID0/LB_SRCID0/DMA1_DDONE0/SDHC_WP	Serial Data	AB26	I/O	OV _{DD}	(2)(14)
IIC4_SCL/EVT5/M1SRCID1/LB_SRCID1/GPIO18/DMA1_DREQ0	Serial Clock	AC23	I/O	OV _{DD}	(2)(14)
IIC4_SDA/EVT6/M1SRCID2/LB_SRCID2/GPIO19	Serial Data	V24	I/O	OV _{DD}	(2)(14)
SerDes (x10) PCI Express, Serial RapidIO, Aurora, 10GE, 1GE					
SD_TX13	Transmit Data (positive)	C20	O	XV _{DD}	–
SD_TX12	Transmit Data (positive)	C18	O	XV _{DD}	–
SD_TX11	Transmit Data (positive)	D16	O	XV _{DD}	–
SD_TX10	Transmit Data (positive)	C14	O	XV _{DD}	–
SD_TX07	Transmit Data (positive)	C12	O	XV _{DD}	–
SD_TX06	Transmit Data (positive)	C10	O	XV _{DD}	–
SD_TX05	Transmit Data (positive)	C8	O	XV _{DD}	–
SD_TX04	Transmit Data (positive)	B4	O	XV _{DD}	–
SD_TX03	Transmit Data (positive)	F3	O	XV _{DD}	–
SD_TX02	Transmit Data (positive)	G5	O	XV _{DD}	–
$\overline{\text{SD_TX13}}$	Transmit Data (negative)	D20	O	XV _{DD}	–
$\overline{\text{SD_TX12}}$	Transmit Data (negative)	D18	O	XV _{DD}	–
$\overline{\text{SD_TX11}}$	Transmit Data (negative)	C16	O	XV _{DD}	–
$\overline{\text{SD_TX10}}$	Transmit Data (negative)	D14	O	XV _{DD}	–
$\overline{\text{SD_TX07}}$	Transmit Data (negative)	D12	O	XV _{DD}	–
$\overline{\text{SD_TX06}}$	Transmit Data (negative)	D10	O	XV _{DD}	–
$\overline{\text{SD_TX05}}$	Transmit Data (negative)	D8	O	XV _{DD}	–
$\overline{\text{SD_TX04}}$	Transmit Data (negative)	B5	O	XV _{DD}	–
$\overline{\text{SD_TX03}}$	Transmit Data (negative)	F4	O	XV _{DD}	–
$\overline{\text{SD_TX02}}$	Transmit Data (negative)	G6	O	XV _{DD}	–
SD_RX13	Receive Data (positive)	B21	I	XV _{DD}	–
SD_RX12	Receive Data (positive)	B19	I	XV _{DD}	–
SD_RX11	Receive Data (positive)	B15	I	XV _{DD}	–
SD_RX10	Receive Data (positive)	A13	I	XV _{DD}	–
SD_RX07	Receive Data (positive)	B11	I	XV _{DD}	–
SD_RX06	Receive Data (positive)	B9	I	XV _{DD}	–
SD_RX05	Receive Data (positive)	B7	I	XV _{DD}	–
SD_RX04	Receive Data (positive)	A2	I	XV _{DD}	–
SD_RX03	Receive Data (positive)	E1	I	XV _{DD}	–

An Important Notice at the end of this datasheet addresses availability, warranty, changes, use in critical applications, intellectual property matters and other important disclaimers

Table 1-1. Pin List by Bus (Continued)

Signal	Signal Description	Package Pin Number	Pin Type	Power Supply	Notes
SD_RX02	Receive Data (positive)	G1	I	XV _{DD}	–
SD_RX13	Receive Data (negative)	A21	I	XV _{DD}	–
SD_RX12	Receive Data (negative)	A19	I	XV _{DD}	–
SD_RX11	Receive Data (negative)	A15	I	XV _{DD}	–
SD_RX10	Receive Data (negative)	B13	I	XV _{DD}	–
SD_RX07	Receive Data (negative)	A11	I	XV _{DD}	–
SD_RX06	Receive Data (negative)	A9	I	XV _{DD}	–
SD_RX05	Receive Data (negative)	A7	I	XV _{DD}	–
SD_RX04	Receive Data (negative)	A3	I	XV _{DD}	–
SD_RX03	Receive Data (negative)	E2	I	XV _{DD}	–
SD_RX02	Receive Data (negative)	G2	I	XV _{DD}	–
SD_REF_CLK1	SerDes Bank 1 PLL Reference Clock	D3	I	XV _{DD}	–
SD_REF_CLK1	SerDes Bank 1 PLL Reference Clock Complement	D4	I	XV _{DD}	–
SD_REF_CLK2	SerDes Bank 2 PLL Reference Clock	E17	I	XV _{DD}	–
SD_REF_CLK2	SerDes Bank 2 PLL Reference Clock Complement	F17	I	XV _{DD}	–
General-Purpose Input/Output					
GPIO00/SPI_CS0/SDHC_DATA4	General Purpose Input/Output	H26	I/O	CV _{DD}	–
GPIO01/SPI_CS1/SDHC_DATA5	General Purpose Input/Output	H23	I/O	CV _{DD}	–
GPIO02/SPI_CS2/SDHC_DATA6	General Purpose Input/Output	H27	I/O	CV _{DD}	–
GPIO03/SPI_CS3/SDHC_DATA7	General Purpose Input/Output	H24	I/O	CV _{DD}	–
GPIO08/UART1_SOUT	General Purpose Input/Output	R23	I/O	OV _{DD}	–
GPIO09/UART2_SOUT	General Purpose Input/Output	P26	I/O	OV _{DD}	–
GPIO10/UART1_SIN	General Purpose Input/Output	R26	I/O	OV _{DD}	–
GPIO11/UART2_SIN	General Purpose Input/Output	P27	I/O	OV _{DD}	–
GPIO12/UART1_RTS/UART3_SOUT	General Purpose Input/Output	P24	I/O	OV _{DD}	–
GPIO13/UART2_RTS/UART4_SOUT	General Purpose Input/Output	P25	I/O	OV _{DD}	–
GPIO14/UART1_CTS/UART3_SIN	General Purpose Input/Output	R25	I/O	OV _{DD}	–
GPIO15/UART2_CTS/UART4_SIN	General Purpose Input/Output	P23	I/O	OV _{DD}	–
GPIO16/IIC3_SCL/M1DVAL/LB_DVAL/ DMA1_DACK0/SDHC_CD	General Purpose Input/Output	AB23	I/O	OV _{DD}	–
GPIO17/IIC3_SDA/M1SRCID0/LB_SRCID0/ DMA1_DDONE0/SDHC_WP	General Purpose Input/Output	AB26	I/O	OV _{DD}	–
GPIO18/IIC4_SCL/EVT5/M1SRCID1/ LB_SRCID1/DMA1_DREQ0	General Purpose Input/Output	AC23	I/O	OV _{DD}	–
GPIO19/IIC4_SDA/EVT6/M1SRCID2/ LB_SRCID2	General Purpose Input/Output	V24	I/O	OV _{DD}	–
GPIO21/IRQ3/DMA2_DREQ0	General Purpose Input/Output	AA26	I/O	OV _{DD}	–

An Important Notice at the end of this datasheet addresses availability, warranty, changes, use in critical applications, intellectual property matters and other important disclaimers

Table 1-1. Pin List by Bus (Continued)

Signal	Signal Description	Package Pin Number	Pin Type	Power Supply	Notes
GPIO22/IRQ4/DMA2_DACK0	General Purpose Input/Output	V25	I/O	OV _{DD}	–
GPIO23/IRQ5/DMA2_DDONE0	General Purpose Input/Output	AA22	I/O	OV _{DD}	–
GPIO24/IRQ6/USB1_DRVVBUS	General Purpose Input/Output	Y26	I/O	OV _{DD}	–
GPIO25/IRQ7/USB1_PWRFAULT	General Purpose Input/Output	AA23	I/O	OV _{DD}	–
GPIO26/IRQ8/USB2_DRVVBUS	General Purpose Input/Output	AC22	I/O	OV _{DD}	–
GPIO27/IRQ9/USB2_PWRFAULT	General Purpose Input/Output	AC27	I/O	OV _{DD}	–
GPIO28/IRQ10/EVT7	General Purpose Input/Output	AB24	I/O	OV _{DD}	–
GPIO29/IRQ11/EVT8	General Purpose Input/Output	AC24	I/O	OV _{DD}	–
GPIO30/EC1_TXD1/ TSEC_1588_ALARM_OUT2	General Purpose Input/Output	C25	I/O	LV _{DD}	(23)
GPIO31/EC1_TXD3/ TSEC_1588_PULSE_OUT2	General Purpose Input/Output	A26	I/O	LV _{DD}	(23)
System Control					
PORESET	Power On Reset	T22	I	OV _{DD}	–
HRESET	Hard Reset	T23	I/O	OV _{DD}	(1)(2)
RESET_REQ	Reset Request	U28	O	OV _{DD}	(31)
CKSTP_OUT	Checkstop Out	T25	O	OV _{DD}	(1)(2)
Debug					
EVT0	Event 0	V26	I/O	OV _{DD}	(18)
EVT1	Event 1	U27	I/O	OV _{DD}	–
EVT2	Event 2	U26	I/O	OV _{DD}	–
EVT3	Event 3	W24	I/O	OV _{DD}	–
EVT4	Event 4	U24	I/O	OV _{DD}	–
EVT5/IIC4_SCL/M1SRCID1/LB_SRCID1/ GPIO18/DMA1_DREQ0	Event 5	AC23	I/O	OV _{DD}	–
EVT6/IIC4_SDA/M1SRCID2/ LB_SRCID2/GPIO19	Event 6	V24	I/O	OV _{DD}	–
EVT7/GPIO28/IRQ10	Event 7	AB24	I/O	OV _{DD}	–
EVT8/GPIO29/IRQ11	Event 8	AC24	I/O	OV _{DD}	–
EVT9/IRQ_OUT	Event 9	Y24	I/O	OV _{DD}	–
M1DVAL/LB_DVAL/IIC3_SCL/GPIO16/ SDHC_CD/DMA1_DACK0	Debug Data Valid	AB23	O	OV _{DD}	–
MSRCID0/LB_SRCID0/IIC3_SDA/GPIO17/ DMA_DDONE0/SDHC_WP	Debug Source ID 0	AB26	O	OV _{DD}	(4)(31)
MSRCID1/LB_MSRCID1/EVT5/IIC4_SCL/ LB_SRCID1/GPIO18/DMA1_DREQ0	Debug Source ID 1	AC23	O	OV _{DD}	–
MSRCID2/LB_SRCID2/EVT6/IIC4_SDA/ LB_SRCID2/GPIO19	Debug Source ID 2	V24	O	OV _{DD}	–
CLK_OUT	Clock Out	T27	O	OV _{DD}	(6)

An Important Notice at the end of this datasheet addresses availability, warranty, changes, use in critical applications, intellectual property matters and other important disclaimers

Table 1-1. Pin List by Bus (Continued)

Signal	Signal Description	Package Pin Number	Pin Type	Power Supply	Notes
Clock					
RTC	Real Time Clock	P28	I	OV _{DD}	–
SYSCLK	System Clock	R28	I	OV _{DD}	–
JTAG					
TCK	Test Clock	Y28	I	OV _{DD}	–
TDI	Test Data In	W28	I	OV _{DD}	(7)
TDO	Test Data Out	AA28	O	OV _{DD}	(6)
TMS	Test Mode Select	W27	I	OV _{DD}	(7)
$\overline{\text{TRST}}$	Test Reset	Y27	I	OV _{DD}	(7)
DFT					
$\overline{\text{SCAN_MODE}}$	Scan Mode	V28	I	OV _{DD}	(36)
TEST_SEL	Test Mode Select	T28	I	OV _{DD}	(12)(26)
Power Management					
ASLEEP	Asleep	R22	O	OV _{DD}	(31)
Input /Output Voltage Select					
IO_VSEL0	I/O Voltage Select	AB28	I	OV _{DD}	(27)
IO_VSEL1	I/O Voltage Select	U23	I	OV _{DD}	(27)
IO_VSEL2	I/O Voltage Select	AB21	I	OV _{DD}	(27)
IO_VSEL3	I/O Voltage Select	Y23	I	OV _{DD}	(27)
IO_VSEL4	I/O Voltage Select	Y21	I	OV _{DD}	(27)
Power and Ground Signals					
GND168	Ground	A23	–	–	–
GND167	Ground	B23	–	–	–
GND166	Ground	B25	–	–	–
GND165	Ground	C23	–	–	–
GND164	Ground	D23	–	–	–
GND163	Ground	D27	–	–	–
GND162	Ground	E24	–	–	–
GND161	Ground	F22	–	–	–
GND160	Ground	F27	–	–	–
GND159	Ground	G10	–	–	–
GND158	Ground	G12	–	–	–
GND157	Ground	G14	–	–	–
GND156	Ground	G16	–	–	–
GND155	Ground	G18	–	–	–
GND154	Ground	G21	–	–	–
GND153	Ground	G22	–	–	–

An Important Notice at the end of this datasheet addresses availability, warranty, changes, use in critical applications, intellectual property matters and other important disclaimers

Table 1-1. Pin List by Bus (Continued)

Signal	Signal Description	Package Pin Number	Pin Type	Power Supply	Notes
GND152	Ground	H3	–	–	–
GND151	Ground	H4	–	–	–
GND150	Ground	H10	–	–	–
GND149	Ground	H12	–	–	–
GND148	Ground	H14	–	–	–
GND147	Ground	H16	–	–	–
GND146	Ground	H18	–	–	–
GND145	Ground	H21	–	–	–
GND144	Ground	H25	–	–	–
GND143	Ground	J2	–	–	–
GND142	Ground	J8	–	–	–
GND141	Ground	J10	–	–	–
GND140	Ground	J12	–	–	–
GND139	Ground	J14	–	–	–
GND138	Ground	J16	–	–	–
GND137	Ground	J18	–	–	–
GND136	Ground	J21	–	–	–
GND135	Ground	K5	–	–	–
GND134	Ground	K8	–	–	–
GND133	Ground	K10	–	–	–
GND132	Ground	K12	–	–	–
GND131	Ground	K14	–	–	–
GND130	Ground	K16	–	–	–
GND129	Ground	K18	–	–	–
GND128	Ground	K21	–	–	–
GND127	Ground	L8	–	–	–
GND126	Ground	L10	–	–	–
GND125	Ground	L12	–	–	–
GND124	Ground	L14	–	–	–
GND123	Ground	L16	–	–	–
GND122	Ground	L18	–	–	–
GND121	Ground	M2	–	–	–
GND120	Ground	M5	–	–	–
GND119	Ground	M8	–	–	–
GND118	Ground	M10	–	–	–
GND117	Ground	M12	–	–	–
GND116	Ground	M14	–	–	–

An Important Notice at the end of this datasheet addresses availability, warranty, changes, use in critical applications, intellectual property matters and other important disclaimers

Table 1-1. Pin List by Bus (Continued)

Signal	Signal Description	Package Pin Number	Pin Type	Power Supply	Notes
GND115	Ground	M16	–	–	–
GND114	Ground	M18	–	–	–
GND113	Ground	N8	–	–	–
GND112	Ground	N10	–	–	–
GND111	Ground	N12	–	–	–
GND110	Ground	N14	–	–	–
GND109	Ground	N16	–	–	–
GND108	Ground	N18	–	–	–
GND107	Ground	N21	–	–	–
GND106	Ground	N25	–	–	–
GND105	Ground	P5	–	–	–
GND104	Ground	P8	–	–	–
GND103	Ground	P10	–	–	–
GND102	Ground	P12	–	–	–
GND101	Ground	P14	–	–	–
GND100	Ground	P16	–	–	–
GND099	Ground	P18	–	–	–
GND098	Ground	P21	–	–	–
GND097	Ground	R2	–	–	–
GND096	Ground	R8	–	–	–
GND095	Ground	R10	–	–	–
GND094	Ground	R12	–	–	–
GND093	Ground	R14	–	–	–
GND092	Ground	R16	–	–	–
GND091	Ground	R18	–	–	–
GND090	Ground	R21	–	–	–
GND089	Ground	R24	–	–	–
GND088	Ground	R27	–	–	–
GND087	Ground	T8	–	–	–
GND086	Ground	T10	–	–	–
GND085	Ground	T12	–	–	–
GND084	Ground	T14	–	–	–
GND083	Ground	T16	–	–	–
GND082	Ground	T18	–	–	–
GND081	Ground	T21	–	–	–
GND080	Ground	U7	–	–	–
GND079	Ground	U8	–	–	–

An Important Notice at the end of this datasheet addresses availability, warranty, changes, use in critical applications, intellectual property matters and other important disclaimers

Table 1-1. Pin List by Bus (Continued)

Signal	Signal Description	Package Pin Number	Pin Type	Power Supply	Notes
GND078	Ground	U10	–	–	–
GND077	Ground	U12	–	–	–
GND076	Ground	U14	–	–	–
GND075	Ground	U17	–	–	–
GND074	Ground	U19	–	–	–
GND073	Ground	U22	–	–	–
GND072	Ground	U25	–	–	–
GND071	Ground	V2	–	–	–
GND070	Ground	V4	–	–	–
GND069	Ground	V6	–	–	–
GND068	Ground	V8	–	–	–
GND067	Ground	V10	–	–	–
GND066	Ground	V12	–	–	–
GND065	Ground	V14	–	–	–
GND064	Ground	V16	–	–	–
GND063	Ground	V17	–	–	–
GND062	Ground	V19	–	–	–
GND061	Ground	V21	–	–	–
GND060	Ground	V23	–	–	–
GND059	Ground	V27	–	–	–
GND058	Ground	W2	–	–	–
GND057	Ground	W5	–	–	–
GND056	Ground	W8	–	–	–
GND055	Ground	W10	–	–	–
GND054	Ground	W12	–	–	–
GND053	Ground	W14	–	–	–
GND052	Ground	W17	–	–	–
GND051	Ground	W19	–	–	–
GND050	Ground	W21	–	–	–
GND049	Ground	W23	–	–	–
GND048	Ground	Y6	–	–	–
GND047	Ground	Y7	–	–	–
GND046	Ground	Y8	–	–	–
GND045	Ground	Y10	–	–	–
GND044	Ground	Y12	–	–	–
GND043	Ground	Y14	–	–	–
GND042	Ground	Y16	–	–	–

An Important Notice at the end of this datasheet addresses availability, warranty, changes, use in critical applications, intellectual property matters and other important disclaimers

Table 1-1. Pin List by Bus (Continued)

Signal	Signal Description	Package Pin Number	Pin Type	Power Supply	Notes
GND041	Ground	Y17	–	–	–
GND040	Ground	Y19	–	–	–
GND039	Ground	Y22	–	–	–
GND038	Ground	AA5	–	–	–
GND037	Ground	AA7	–	–	–
GND036	Ground	AA17	–	–	–
GND035	Ground	AA19	–	–	–
GND034	Ground	AA24	–	–	–
GND033	Ground	AA27	–	–	–
GND032	Ground	AB2	–	–	–
GND031	Ground	AB9	–	–	–
GND030	Ground	AB10	–	–	–
GND029	Ground	AB11	–	–	–
GND028	Ground	AB12	–	–	–
GND027	Ground	AB15	–	–	–
GND026	Ground	AB22	–	–	–
GND025	Ground	AC5	–	–	–
GND024	Ground	AC17	–	–	–
GND023	Ground	AC20	–	–	–
GND022	Ground	AC26	–	–	–
GND021	Ground	AD12	–	–	–
GND020	Ground	AD15	–	–	–
GND019	Ground	AE2	–	–	–
GND018	Ground	AE5	–	–	–
GND017	Ground	AE8	–	–	–
GND016	Ground	AE11	–	–	–
GND015	Ground	AE15	–	–	–
GND014	Ground	AE18	–	–	–
GND013	Ground	AE21	–	–	–
GND012	Ground	AE24	–	–	–
GND011	Ground	AE27	–	–	–
GND010	Ground	AF13	–	–	–
GND009	Ground	AF14	–	–	–
GND008	Ground	AG4	–	–	–
GND007	Ground	AG7	–	–	–
GND006	Ground	AG10	–	–	–
GND005	Ground	AG19	–	–	–

An Important Notice at the end of this datasheet addresses availability, warranty, changes, use in critical applications, intellectual property matters and other important disclaimers

Table 1-1. Pin List by Bus (Continued)

Signal	Signal Description	Package Pin Number	Pin Type	Power Supply	Notes
GND004	Ground	AG22	–	–	–
GND003	Ground	AG25	–	–	–
GND002	Ground	AH12	–	–	–
GND001	Ground	AH15	–	–	–
XGND12	SerDes Transceiver GND	C5	–	–	–
XGND11	SerDes Transceiver GND	C7	–	–	–
XGND10	SerDes Transceiver GND	C11	–	–	–
XGND09	SerDes Transceiver GND	C15	–	–	–
XGND08	SerDes Transceiver GND	C21	–	–	–
XGND07	SerDes Transceiver GND	D9	–	–	–
XGND06	SerDes Transceiver GND	D13	–	–	–
XGND05	SerDes Transceiver GND	D19	–	–	–
XGND04	SerDes Transceiver GND	F6	–	–	–
XGND03	SerDes Transceiver GND	F21	–	–	–
XGND02	SerDes Transceiver GND	G3	–	–	–
XGND01	SerDes Transceiver GND	H5	–	–	–
SGND17	SerDes Core Logic GND	A5	–	–	–
SGND16	SerDes Core Logic GND	A8	–	–	–
SGND15	SerDes Core Logic GND	A12	–	–	–
SGND14	SerDes Core Logic GND	A16	–	–	–
SGND13	SerDes Core Logic GND	A20	–	–	–
SGND12	SerDes Core Logic GND	B1	–	–	–
SGND11	SerDes Core Logic GND	B6	–	–	–
SGND10	SerDes Core Logic GND	B10	–	–	–
SGND09	SerDes Core Logic GND	B14	–	–	–
SGND08	SerDes Core Logic GND	B18	–	–	–
SGND07	SerDes Core Logic GND	B22	–	–	–
SGND06	SerDes Core Logic GND	C3	–	–	–
SGND05	SerDes Core Logic GND	D2	–	–	–
SGND04	SerDes Core Logic GND	D17	–	–	–
SGND03	SerDes Core Logic GND	E3	–	–	–
SGND02	SerDes Core Logic GND	F1	–	–	–
SGND01	SerDes Core Logic GND	H2	–	–	–
AGND_SRDS1	SerDes PLL1 GND	C2	–	–	–
AGND_SRDS2	SerDes PLL2 GND	B17	–	–	–
SENSEGND_CA_PL	Core Group A and Platform GND Sense	G8	–	–	(8)
SENSEGND_CB	Core Group B GND Sense	AA16	–	–	(8)

An Important Notice at the end of this datasheet addresses availability, warranty, changes, use in critical applications, intellectual property matters and other important disclaimers

Table 1-1. Pin List by Bus (Continued)

Signal	Signal Description	Package Pin Number	Pin Type	Power Supply	Notes
USB1_AGND06	USB1 PHY Transceiver GND	J28	–	–	–
USB1_AGND05	USB1 PHY Transceiver GND	K27	–	–	–
USB1_AGND04	USB1 PHY Transceiver GND	L27	–	–	–
USB1_AGND03	USB1 PHY Transceiver GND	M22	–	–	–
USB1_AGND02	USB1 PHY Transceiver GND	M24	–	–	–
USB1_AGND01	USB1 PHY Transceiver GND	M28	–	–	–
USB2_AGND06	USB2 PHY Transceiver GND	J22	–	–	–
USB2_AGND05	USB2 PHY Transceiver GND	J24	–	–	–
USB2_AGND04	USB2 PHY Transceiver GND	J26	–	–	–
USB2_AGND03	USB2 PHY Transceiver GND	K25	–	–	–
USB2_AGND02	USB2 PHY Transceiver GND	L25	–	–	–
USB2_AGND01	USB2 PHY Transceiver GND	M26	–	–	–
OVDD06	General I/O Supply	N20	–	OV _{DD}	–
OVDD05	General I/O Supply	P20	–	OV _{DD}	–
OVDD04	General I/O Supply	R20	–	OV _{DD}	–
OVDD03	General I/O Supply	T20	–	OV _{DD}	–
OVDD02	General I/O Supply	T26	–	OV _{DD}	–
OVDD01	General I/O Supply	W26	–	OV _{DD}	–
CVDD2	eSPI and eSDHC Supply	K20	–	CV _{DD}	–
CVDD1	eSPI and eSDHC Supply	M20	–	CV _{DD}	–
GVDD17	DDR Supply	AA8	–	GV _{DD}	–
GVDD16	DDR Supply	AA9	–	GV _{DD}	–
GVDD15	DDR Supply	AA10	–	GV _{DD}	–
GVDD14	DDR Supply	AA11	–	GV _{DD}	–
GVDD13	DDR Supply	AA12	–	GV _{DD}	–
GVDD12	DDR Supply	AA13	–	GV _{DD}	–
GVDD11	DDR Supply	AA14	–	GV _{DD}	–
GVDD10	DDR Supply	AA15	–	GV _{DD}	–
GVDD09	DDR Supply	AB13	–	GV _{DD}	–
GVDD08	DDR Supply	AB14	–	GV _{DD}	–
GVDD07	DDR Supply	AC13	–	GV _{DD}	–
GVDD06	DDR Supply	AC14	–	GV _{DD}	–
GVDD05	DDR Supply	AF6	–	GV _{DD}	–
GVDD04	DDR Supply	AF9	–	GV _{DD}	–
GVDD03	DDR Supply	AF17	–	GV _{DD}	–
GVDD02	DDR Supply	AF20	–	GV _{DD}	–
GVDD01	DDR Supply	AF23	–	GV _{DD}	–

An Important Notice at the end of this datasheet addresses availability, warranty, changes, use in critical applications, intellectual property matters and other important disclaimers

Table 1-1. Pin List by Bus (Continued)

Signal	Signal Description	Package Pin Number	Pin Type	Power Supply	Notes
BVDD07	Local Bus Supply	J7	–	BVDD	–
BVDD06	Local Bus Supply	K7	–	BVDD	–
BVDD05	Local Bus Supply	L4	–	BVDD	–
BVDD04	Local Bus Supply	L7	–	BVDD	–
BVDD03	Local Bus Supply	M7	–	BVDD	–
BVDD02	Local Bus Supply	N4	–	BVDD	–
BVDD01	Local Bus Supply	R4	–	BVDD	–
SVDD17	SerDes Core Logic Supply	A4	–	SVDD	–
SVDD16	SerDes Core Logic Supply	A6	–	SVDD	–
SVDD15	SerDes Core Logic Supply	A10	–	SVDD	–
SVDD14	SerDes Core Logic Supply	A14	–	SVDD	–
SVDD13	SerDes Core Logic Supply	A18	–	SVDD	–
SVDD12	SerDes Core Logic Supply	A22	–	SVDD	–
SVDD11	SerDes Core Logic Supply	B2	–	SVDD	–
SVDD10	SerDes Core Logic Supply	B3	–	SVDD	–
SVDD09	SerDes Core Logic Supply	B8	–	SVDD	–
SVDD08	SerDes Core Logic Supply	B12	–	SVDD	–
SVDD07	SerDes Core Logic Supply	B16	–	SVDD	–
SVDD06	SerDes Core Logic Supply	B20	–	SVDD	–
SVDD05	SerDes Core Logic Supply	C17	–	SVDD	–
SVDD04	SerDes Core Logic Supply	D1	–	SVDD	–
SVDD03	SerDes Core Logic Supply	E4	–	SVDD	–
SVDD02	SerDes Core Logic Supply	F2	–	SVDD	–
SVDD01	SerDes Core Logic Supply	H1	–	SVDD	–
XVDD12	SerDes Transceiver Supply	C4	–	XV _{DD}	–
XVDD11	SerDes Transceiver Supply	C9	–	XV _{DD}	–
XVDD10	SerDes Transceiver Supply	C13	–	XV _{DD}	–
XVDD09	SerDes Transceiver Supply	C19	–	XV _{DD}	–
XVDD08	SerDes Transceiver Supply	D7	–	XV _{DD}	–
XVDD07	SerDes Transceiver Supply	D11	–	XV _{DD}	–
XVDD06	SerDes Transceiver Supply	D15	–	XV _{DD}	–
XVDD05	SerDes Transceiver Supply	D21	–	XV _{DD}	–
XVDD04	SerDes Transceiver Supply	E22	–	XV _{DD}	–
XVDD03	SerDes Transceiver Supply	F5	–	XV _{DD}	–
XVDD02	SerDes Transceiver Supply	G4	–	XV _{DD}	–
XVDD01	SerDes Transceiver Supply	H6	–	XV _{DD}	–
LVDD05	Ethernet Controller 1 and 2 Supply	C26	–	LV _{DD}	–

An Important Notice at the end of this datasheet addresses availability, warranty, changes, use in critical applications, intellectual property matters and other important disclaimers

Table 1-1. Pin List by Bus (Continued)

Signal	Signal Description	Package Pin Number	Pin Type	Power Supply	Notes
LVDD04	Ethernet Controller 1 and 2 Supply	E26	–	LV _{DD}	–
LVDD03	Ethernet Controller 1 and 2 Supply	G20	–	LV _{DD}	–
LVDD02	Ethernet Controller 1 and 2 Supply	H20	–	LV _{DD}	–
LVDD01	Ethernet Controller 1 and 2 Supply	J20	–	LV _{DD}	–
POVDD	Fuse Programming Override Supply	U21	–	POV _{DD}	(30)
VDD_CA_PL78	Core Group A and Platform Supply	G9	–	V _{DD_CA_PL}	(38)
VDD_CA_PL77	Core Group A and Platform Supply	G11	–	V _{DD_CA_PL}	(38)
VDD_CA_PL76	Core Group A and Platform Supply	G13	–	V _{DD_CA_PL}	(38)
VDD_CA_PL75	Core Group A and Platform Supply	G15	–	V _{DD_CA_PL}	(38)
VDD_CA_PL74	Core Group A and Platform Supply	G17	–	V _{DD_CA_PL}	(38)
VDD_CA_PL73	Core Group A and Platform Supply	G19	–	V _{DD_CA_PL}	(38)
VDD_CA_PL72	Core Group A and Platform Supply	H9	–	V _{DD_CA_PL}	(38)
VDD_CA_PL71	Core Group A and Platform Supply	H11	–	V _{DD_CA_PL}	(38)
VDD_CA_PL70	Core Group A and Platform Supply	H13	–	V _{DD_CA_PL}	(38)
VDD_CA_PL69	Core Group A and Platform Supply	H15	–	V _{DD_CA_PL}	(38)
VDD_CA_PL68	Core Group A and Platform Supply	H17	–	V _{DD_CA_PL}	(38)
VDD_CA_PL67	Core Group A and Platform Supply	H19	–	V _{DD_CA_PL}	(38)
VDD_CA_PL66	Core Group A and Platform Supply	J9	–	V _{DD_CA_PL}	(38)
VDD_CA_PL65	Core Group A and Platform Supply	J11	–	V _{DD_CA_PL}	(38)
VDD_CA_PL64	Core Group A and Platform Supply	J13	–	V _{DD_CA_PL}	(38)
VDD_CA_PL63	Core Group A and Platform Supply	J15	–	V _{DD_CA_PL}	(38)
VDD_CA_PL62	Core Group A and Platform Supply	J17	–	V _{DD_CA_PL}	(38)
VDD_CA_PL61	Core Group A and Platform Supply	J19	–	V _{DD_CA_PL}	(38)
VDD_CA_PL60	Core Group A and Platform Supply	K9	–	V _{DD_CA_PL}	(38)
VDD_CA_PL59	Core Group A and Platform Supply	K11	–	V _{DD_CA_PL}	(38)
VDD_CA_PL58	Core Group A and Platform Supply	K13	–	V _{DD_CA_PL}	(38)
VDD_CA_PL57	Core Group A and Platform Supply	K15	–	V _{DD_CA_PL}	(38)
VDD_CA_PL56	Core Group A and Platform Supply	K17	–	V _{DD_CA_PL}	(38)
VDD_CA_PL55	Core Group A and Platform Supply	K19	–	V _{DD_CA_PL}	(38)
VDD_CA_PL54	Core Group A and Platform Supply	L9	–	V _{DD_CA_PL}	(38)
VDD_CA_PL53	Core Group A and Platform Supply	L11	–	V _{DD_CA_PL}	(38)
VDD_CA_PL52	Core Group A and Platform Supply	L13	–	V _{DD_CA_PL}	(38)
VDD_CA_PL51	Core Group A and Platform Supply	L15	–	V _{DD_CA_PL}	(38)
VDD_CA_PL50	Core Group A and Platform Supply	L17	–	V _{DD_CA_PL}	(38)
VDD_CA_PL49	Core Group A and Platform Supply	L19	–	V _{DD_CA_PL}	(38)
VDD_CA_PL48	Core Group A and Platform Supply	M9	–	V _{DD_CA_PL}	(38)
VDD_CA_PL47	Core Group A and Platform Supply	M11	–	V _{DD_CA_PL}	(38)

An Important Notice at the end of this datasheet addresses availability, warranty, changes, use in critical applications, intellectual property matters and other important disclaimers

Table 1-1. Pin List by Bus (Continued)

Signal	Signal Description	Package Pin Number	Pin Type	Power Supply	Notes
VDD_CA_PL46	Core Group A and Platform Supply	M13	–	V _{DD_CA_PL}	(38)
VDD_CA_PL45	Core Group A and Platform Supply	M15	–	V _{DD_CA_PL}	(38)
VDD_CA_PL44	Core Group A and Platform Supply	M17	–	V _{DD_CA_PL}	(38)
VDD_CA_PL43	Core Group A and Platform Supply	M19	–	V _{DD_CA_PL}	(38)
VDD_CA_PL42	Core Group A and Platform Supply	N9	–	V _{DD_CA_PL}	(38)
VDD_CA_PL41	Core Group A and Platform Supply	N11	–	V _{DD_CA_PL}	(38)
VDD_CA_PL40	Core Group A and Platform Supply	N13	–	V _{DD_CA_PL}	(38)
VDD_CA_PL39	Core Group A and Platform Supply	N15	–	V _{DD_CA_PL}	(38)
VDD_CA_PL38	Core Group A and Platform Supply	N17	–	V _{DD_CA_PL}	(38)
VDD_CA_PL37	Core Group A and Platform Supply	N19	–	V _{DD_CA_PL}	(38)
VDD_CA_PL36	Core Group A and Platform Supply	P9	–	V _{DD_CA_PL}	(38)
VDD_CA_PL35	Core Group A and Platform Supply	P11	–	V _{DD_CA_PL}	(38)
VDD_CA_PL34	Core Group A and Platform Supply	P13	–	V _{DD_CA_PL}	(38)
VDD_CA_PL33	Core Group A and Platform Supply	P15	–	V _{DD_CA_PL}	(38)
VDD_CA_PL32	Core Group A and Platform Supply	P17	–	V _{DD_CA_PL}	(38)
VDD_CA_PL31	Core Group A and Platform Supply	P19	–	V _{DD_CA_PL}	(38)
VDD_CA_PL30	Core Group A and Platform Supply	R9	–	V _{DD_CA_PL}	(38)
VDD_CA_PL29	Core Group A and Platform Supply	R11	–	V _{DD_CA_PL}	(38)
VDD_CA_PL28	Core Group A and Platform Supply	R13	–	V _{DD_CA_PL}	(38)
VDD_CA_PL27	Core Group A and Platform Supply	R15	–	V _{DD_CA_PL}	(38)
VDD_CA_PL26	Core Group A and Platform Supply	R17	–	V _{DD_CA_PL}	(38)
VDD_CA_PL25	Core Group A and Platform Supply	R19	–	V _{DD_CA_PL}	(38)
VDD_CA_PL24	Core Group A and Platform Supply	T9	–	V _{DD_CA_PL}	(38)
VDD_CA_PL23	Core Group A and Platform Supply	T11	–	V _{DD_CA_PL}	(38)
VDD_CA_PL22	Core Group A and Platform Supply	T13	–	V _{DD_CA_PL}	(38)
VDD_CA_PL21	Core Group A and Platform Supply	T15	–	V _{DD_CA_PL}	(38)
VDD_CA_PL20	Core Group A and Platform Supply	T17	–	V _{DD_CA_PL}	(38)
VDD_CA_PL19	Core Group A and Platform Supply	T19	–	V _{DD_CA_PL}	(38)
VDD_CA_PL18	Core Group A and Platform Supply	U9	–	V _{DD_CA_PL}	(38)
VDD_CA_PL17	Core Group A and Platform Supply	U11	–	V _{DD_CA_PL}	(38)
VDD_CA_PL16	Core Group A and Platform Supply	U13	–	V _{DD_CA_PL}	(38)
VDD_CA_PL15	Core Group A and Platform Supply	U15	–	V _{DD_CA_PL}	(38)
VDD_CA_PL14	Core Group A and Platform Supply	U20	–	V _{DD_CA_PL}	(38)
VDD_CA_PL13	Core Group A and Platform Supply	V9	–	V _{DD_CA_PL}	(38)
VDD_CA_PL12	Core Group A and Platform Supply	V11	–	V _{DD_CA_PL}	(38)
VDD_CA_PL11	Core Group A and Platform Supply	V13	–	V _{DD_CA_PL}	(38)
VDD_CA_PL10	Core Group A and Platform Supply	V15	–	V _{DD_CA_PL}	(38)

An Important Notice at the end of this datasheet addresses availability, warranty, changes, use in critical applications, intellectual property matters and other important disclaimers

Table 1-1. Pin List by Bus (Continued)

Signal	Signal Description	Package Pin Number	Pin Type	Power Supply	Notes
VDD_CA_PL09	Core Group A and Platform Supply	W9	–	V _{DD_CA_PL}	(38)
VDD_CA_PL08	Core Group A and Platform Supply	W11	–	V _{DD_CA_PL}	(38)
VDD_CA_PL07	Core Group A and Platform Supply	W13	–	V _{DD_CA_PL}	(38)
VDD_CA_PL06	Core Group A and Platform Supply	W15	–	V _{DD_CA_PL}	(38)
VDD_CA_PL05	Core Group A and Platform Supply	Y9	–	V _{DD_CA_PL}	(38)
VDD_CA_PL04	Core Group A and Platform Supply	Y11	–	V _{DD_CA_PL}	(38)
VDD_CA_PL03	Core Group A and Platform Supply	Y13	–	V _{DD_CA_PL}	(38)
VDD_CA_PL02	Core Group A and Platform Supply	Y15	–	V _{DD_CA_PL}	(38)
VDD_CA_PL01	Core Group A and Platform Supply	AA21	–	V _{DD_CA_PL}	(38)
VDD_CB11	Core Group B Supply	U16	–	V _{DD_CB}	(38)
VDD_CB10	Core Group B Supply	U18	–	V _{DD_CB}	(38)
VDD_CB09	Core Group B Supply	V18	–	V _{DD_CB}	(38)
VDD_CB08	Core Group B Supply	V20	–	V _{DD_CB}	(38)
VDD_CB07	Core Group B Supply	W16	–	V _{DD_CB}	(38)
VDD_CB06	Core Group B Supply	W18	–	V _{DD_CB}	(38)
VDD_CB05	Core Group B Supply	W20	–	V _{DD_CB}	(38)
VDD_CB04	Core Group B Supply	Y18	–	V _{DD_CB}	(38)
VDD_CB03	Core Group B Supply	Y20	–	V _{DD_CB}	(38)
VDD_CB02	Core Group B Supply	AA18	–	V _{DD_CB}	(38)
VDD_CB01	Core Group B Supply	AA20	–	V _{DD_CB}	(38)
VDD_LP	Low Power Security Monitor Supply	L20	–	V _{DD_LP}	(25)
AVDD_CC1	Core Cluster PLL1 Supply	V7	–	–	(38)
AVDD_CC2	Core Cluster PLL2 Supply	W22	–	–	(13)
AVDD_PLAT	Platform PLL Supply	V22	–	–	(13)
AVDD_DDR	DDR PLL Supply	W6	–	–	(13)
AVDD_SRDS1	SerDes PLL1 Supply	C1	–	–	(13)
AVDD_SRDS2	SerDes PLL2 Supply	A17	–	–	(13)
SENSEVDD_CA_PL	Core Group A and Platform Vdd Sense	H8	–	–	(8)
SENSEVDD_CB	Core Group B Vdd Sense	AB16	–	–	(8)
USB1_VDD_3P3	USB1 PHY Transceiver 3.3 V Supply	M23	–	–	–
USB2_VDD_3P3	USB2 PHY Transceiver 3.3 V Supply	J23	–	–	–
USB1_VDD_1P0	USB1 PHY PLL 1.0 V Supply	L22	–	–	–
USB2_VDD_1P0	USB2 PHY PLL 1.0 V Supply	K22	–	–	–
Analog Signals					
MVREF	SSTL_1.5/1.35 Reference Voltage	W7	I	G _{VDD} /2	–
SD_IMP_CAL_TX	SerDes Tx Impedance Calibration	E21	I	200Ω (±1%) to X _{VDD}	(21)

An Important Notice at the end of this datasheet addresses availability, warranty, changes, use in critical applications, intellectual property matters and other important disclaimers

Table 1-1. Pin List by Bus (Continued)

Signal	Signal Description	Package Pin Number	Pin Type	Power Supply	Notes
SD_IMP_CAL_RX	SerDes Rx Impedance Calibration	F7	I	200Ω (±1%) to SV _{DD}	(22)
TEMP_ANODE	Temperature Diode Anode	V5	–	internal diode	(9)
TEMP_CATHODE	Temperature Diode Cathode	U6	–	internal diode	(9)
USB2_IBIAS_REXT	USB PHY2 Reference Bias Current Generation	K23	–	GND	(32)
USB1_IBIAS_REXT	USB PHY1 Reference Bias Current Generation	L23	–	GND	(32)
USB2_VDD_1P8_DECAP	USB2 PHY 1.8 V Output to External Decap	K24	–	GND	(33)
USB1_VDD_1P8_DECAP	USB1 PHY 1.8 V Output to External Decap	L24	–	GND	(33)
No Connection Pins					
NC03	No Connection	W4	–	–	(11)
NC04	No Connection	W3	–	–	(11)
NC05	No Connection	W1	–	–	(11)
NC06	No Connection	H7	–	–	(11)
NC07	No Connection	G7	–	–	(11)
NC08	No Connection	F20	–	–	(11)
NC09	No Connection	F19	–	–	(11)
NC10	No Connection	F18	–	–	(11)
NC11	No Connection	F16	–	–	(11)
NC12	No Connection	F13	–	–	(11)
NC13	No Connection	F12	–	–	(11)
NC14	No Connection	F11	–	–	(11)
NC15	No Connection	F10	–	–	(11)
NC16	No Connection	F9	–	–	(11)
NC17	No Connection	F8	–	–	(11)
NC18	No Connection	E20	–	–	(11)
NC19	No Connection	E19	–	–	(11)
NC20	No Connection	E18	–	–	(11)
NC21	No Connection	E16	–	–	(11)
NC22	No Connection	E15	–	–	(11)
NC23	No Connection	E14	–	–	(11)
NC24	No Connection	E13	–	–	(11)
NC25	No Connection	E12	–	–	(11)
NC26	No Connection	E11	–	–	(11)
NC27	No Connection	E10	–	–	(11)

An Important Notice at the end of this datasheet addresses availability, warranty, changes, use in critical applications, intellectual property matters and other important disclaimers

Table 1-1. Pin List by Bus (Continued)

Signal	Signal Description	Package Pin Number	Pin Type	Power Supply	Notes
NC28	No Connection	E9	–	–	(11)
NC29	No Connection	E8	–	–	(11)
NC30	No Connection	E7	–	–	(11)
NC31	No Connection	D22	–	–	(11)
NC32	No Connection	D6	–	–	(11)
NC33	No Connection	D5	–	–	(11)
NC34	No Connection	C22	–	–	(11)
NC35	No Connection	C6	–	–	(11)
NC_M21	No Connection	M21	–	–	(11)
Reserved Pins					
Reserve	–	E5	–	–	(11)
Reserve	–	E6	–	–	(11)
Reserve	–	F14	–	–	(11)
Reserve	–	F15	–	–	(11)
Reserve	–	AB17	–	GND	(19)
Reserve	–	AB18	–	GND	(19)
Reserve	–	AB19	–	GND	(19)
Reserve	–	AB20	–	GND	(19)

- Notes:
1. Recommend that a weak pull-up resistor (2–10 kΩ) be placed on this pin to OV_{DD} .
 2. This pin is an open drain signal.
 3. This pin is a reset configuration pin. It has a weak internal pull-up P-FET which is enabled only when the processor is in the reset state. This pull-up is designed such that it can be overpowered by an external 4.7-kΩ resistor. However, if the signal is intended to be high after reset, and if there is any device on the net that might pull down the value of the net at reset, then a pull up or active driver is needed.
 4. Functionally, this pin is an output, but structurally it is an I/O because it either samples configuration input during reset or it has other manufacturing test functions. This pin is therefore described as an I/O for boundary scan.
 5. Recommend that a weak pull-up resistor (2–10 kΩ) be placed on this pin to BV_{DD} in order to ensure no random chip select assertion due to possible noise, etc.
 6. This output is actively driven during reset rather than being three-stated during reset.
 7. These JTAG pins have weak internal pull-up P-FETs that are always enabled.
 8. These pins are connected to the corresponding power and ground nets internally. They may be connected as a differential pair to be used by the voltage regulators with remote sense function. For Rev1.1 silicon, the better solution is to use the far sense pins relative to the power supply location, the other pair can be left as no connected. The DC power simulation should be done during the board layout process to approve the selected solution.
 9. These pins may be connected to a thermal diode monitoring device such as the ADT7461A. If a thermal diode monitoring device is not connected, these pins may be connected to test point or left as a no connect.
 10. If this pin is connected to a device that pulls down during reset, an external pull-up is required to drive this pin to a safe state during reset.
 11. Do not connect.
 12. These are test signals for factory use only and must be pulled low (1 KΩ-2 kΩ) to ground (GND) for normal machine operation.

An Important Notice at the end of this datasheet addresses availability, warranty, changes, use in critical applications, intellectual property matters and other important disclaimers

13. Independent supplies derived from board $V_{DD_CA_CB_PL}$ (core clusters, platform, DDR) or SV_{DD} (SerDes)
14. Recommend that a pull-up resistor (1 K Ω) be placed on this pin to OV_{DD} if I²C interface is used.
15. This pin requires an external 1 K Ω pull-down resistor to prevent PHY from seeing a valid Transmit Enable before it is actively driven.
16. For DDR3 and DDR3L, $Dn_MDIC[0]$ is grounded through an 20- Ω (full-strength mode) or 40.2- Ω (half-strength mode) precision 1% resistor and $Dn_MDIC[1]$ is connected to GV_{DD} through an 20- Ω (full-strength mode) or 40.2- Ω (half-strength mode) precision 1% resistor. These pins are used for automatic calibration of the DDR3 and DDR3L I/Os.
17. These pins must be pulled up to 1.2 V through a 180 $\Omega \pm 1\%$ resistor for EM2_MDC and a 330 $\Omega \pm 1\%$ resistor for EM2_MDIO.
18. Pin has a weak internal pull-up.
19. These pins must be pulled to ground (GND).
20. Ethernet MII Management Interface 2 pins function as open drain I/Os. The interface shall conform to 1.2 V nominal voltage levels. LV_{DD} must be powered to use this interface.
21. This pin requires a 200 Ω pull-up to XV_{DD} .
22. This pin requires a 200 Ω pull-up to SV_{DD} .
23. This GPIO pin is on LV_{DD} power plane, not OV_{DD} .
24. Functionally, this pin is an I/O, but may act as an output only or an input only depending on the pin mux configuration defined by the RCW.
25. See [Section 3.6 "Connection Recommendations" on page 121](#), for additional details on this signal.
26. For reduced core (core 2 and 3 disabled) mode, this signal must be pulled high (100 Ω –1 k Ω) to OV_{DD} .
27. Warning, incorrect voltage select settings can lead to irreversible device damage. This pin has an internal 2 k Ω pull-down resistor, to pull it high, a pull-up resistor of less than 1 k Ω to OV_{DD} should be used. See [Section 3.2 "Supply Power Default Setting" on page 116](#).
28. SDHC_DAT[4:7] require $CV_{DD} = 3.3$ V when muxed extended SDHC data signals are enabled via the RCW[SPI] field.
29. The `cfg_xvdd_sel` (LA[26]) reset configuration pin must select the correct voltage that is being supplied on the XV_{DD} pin.
29. Incorrect voltage select settings can lead to irreversible device damage.
30. See [Section 2.2 "Power Up Sequencing" on page 38](#) and [Section 5. "Security Fuse Processor" on page 134](#), for additional details on this signal.
31. Pin must NOT be pulled down during power-on reset.
32. This pin must be connected to GND through a 10 k $\Omega \pm 0.1\%$ resistor for bias generation.
33. A 1nF to 1.5 μ F capacitor connected to GND is required on this signal. [Section 3.6.4.2 "USBn_VDD_1P8_DECAP Capacitor Options" on page 129](#), provides a list of recommended capacitors.
34. A divider network is required on this signal. See [Section 3.6.4.1 "USB Divider Network" on page 129](#).
35. These are test signals for factory use only and must be pulled up (100 Ω -1 k Ω) to OV_{DD} for normal machine operation.
36. For systems which boot from Local Bus (GPCM)-controlled NOR flash or (FCM)-controlled NAND flash, a pull-up on LGPL4 is required.
37. Pin must be pulled down during power-on reset.
38. Core Group A and Platform supply ($V_{DD_CA_PL}$) and Core Group B supply (V_{DD_CB}) were separate supplies in Rev1.0, they are tied together in Rev1.1.

2. Electrical Characteristics

This section provides the AC and DC electrical specifications for the chip. The chip is currently targeted to these specifications. Some of these specifications are independent of the I/O cell, but they are included for a more complete reference. These are not purely I/O buffer design specifications.

2.1 Overall DC Electrical Characteristics

This section describes the ratings, conditions, and other electrical characteristics.

2.1.1 Absolute Maximum Ratings

Table 2-1. Absolute Operating Conditions⁽¹⁾

Parameter	Symbol	Max Value	Unit	Note	
Core Group A (cores 0–1) and platform supply voltage (Silicon Rev 1.0)	$V_{DD_CA_PL}$	–0.3 to 1.1	V	(9)(10)	
Core Group B (cores 2–3) supply voltage (Silicon Rev 1.0)	V_{DD_CB}	–0.3 to 1.1	V	(9)(10)	
Core Group A (cores 0–1), Core Group B (cores 2–3) and platform supply voltage (Silicon Rev 1.1)	$V_{DD_CA_CB_PL}$	–0.3 to 1.1	V	(9)(10)	
PLL supply voltage (core, platform, DDR)	AV_{DD}	–0.3 to 1.1	V	–	
PLL supply voltage (SerDes, filtered from SVDD)	AV_{DD_SRDS}	–0.3 to 1.1	V	–	
Fuse programming override supply	POV_{DD}	–0.3 to 1.65	V	(1)	
DUART, I ² C, DMA, MPIC, GPIO, system control and power management, clocking, debug, I/O voltage select, and JTAG I/O voltage	OV_{DD}	–0.3 to 3.63	V	–	
eSPI, eSHDC, GPIO	CV_{DD}	–0.3 to 3.63 –0.3 to 2.75 –0.3 to 1.98	V	–	
DDR3 and DDR3L DRAM I/O voltage	GV_{DD}	–0.3 to 1.65	V	–	
Enhanced local bus I/O voltage	BV_{DD}	–0.3 to 3.63 –0.3 to 2.75 –0.3 to 1.98	V	–	
SerDes core logic supply and receivers	SV_{DD}	–0.3 to 1.1	V	–	
Pad power supply for SerDes transceivers	XV_{DD}	–0.3 to 1.98 –0.3 to 1.65	V	–	
Ethernet I/O, Ethernet management interface 1 (EMI1), 1588, GPIO	LV_{DD}	–0.3 to 3.63 –0.3 to 2.75	V	(3)	
Ethernet management interface 2 (EMI2)	LV_{DD}	–0.3 to 1.32	V	(8)	
USB PHY transceiver supply voltage	$USB_V_{DD_3P3}$	–0.3 to 3.63	V	–	
USB PHY PLL supply voltage	$USB_V_{DD_1P0}$	–0.3 to 1.1	V	–	
Low Power Security Monitor Supply	V_{DD_LP}	–0.3 to 1.1	V	–	
Input voltage ⁽⁷⁾	DDR3 and DDR3L DRAM signals	MV_{IN}	–0.3 to ($GV_{DD} + 0.3$)	V	(2)(7)
	DDR3 and DDR3L DRAM reference	$MV_{REF}^{(7)}$	–0.3 to ($GV_{DD}/2 + 0.3$)	V	(2)(7)
	Ethernet signals (except EMI2), GPIO	LV_{IN}	–0.3 to ($LV_{DD} + 0.3$)	V	(3)(7)
	eSPI, eSHDC, GPIO	CV_{IN}	–0.3 to ($CV_{DD} + 0.3$)	V	(4)(7)
	Enhanced local bus signals	BV_{IN}	–0.3 to ($BV_{DD} + 0.3$)	V	(5)(7)
	DUART, I2C, DMA, MPIC, GPIO, system control and power management, clocking, debug, I/O voltage select, and JTAG I/O voltage	OV_{IN}	–0.3 to ($OV_{DD} + 0.3$)	V	(6)(7)
	SerDes signals	XV_{IN}	–0.4 to ($XV_{DD} + 0.3$)	V	(7)
	USB PHY transceiver signals	$USB_V_{IN_3P3}$	–0.3 to ($USB_V_{DD_3P3} + 0.3$)	V	(7)
Ethernet management interface 2 (EMI2) signals	–	–0.3 to ($1.2 + 0.3$)	V	(7)	
Storage junction temperature range	T_{stg}	–55 to 150	°C	–	

An Important Notice at the end of this datasheet addresses availability, warranty, changes, use in critical applications, intellectual property matters and other important disclaimers

- Notes:
1. Functional operating conditions are given in [Table 2-2](#). Absolute maximum ratings are stress ratings only; functional operation at the maximums is not guaranteed. Stresses beyond those listed may affect device reliability or cause permanent damage to the device.
 2. **Caution:** MV_{IN} must not exceed GV_{DD} by more than 0.3 V. This limit may be exceeded for a maximum of 20 ms during power-on reset and power-down sequences.
 3. **Caution:** LV_{IN} must not exceed LV_{DD} by more than 0.3 V. This limit may be exceeded for a maximum of 20 ms during power-on reset and power-down sequences.
 4. **Caution:** CV_{IN} must not exceed CV_{DD} by more than 0.3 V. This limit may be exceeded for a maximum of 20 ms during power-on reset and power-down sequences.
 5. **Caution:** BV_{IN} must not exceed BV_{DD} by more than 0.3 V. This limit may be exceeded for a maximum of 20 ms during power-on reset and power-down sequences.
 6. **Caution:** OV_{IN} must not exceed OV_{DD} by more than 0.3 V. This limit may be exceeded for a maximum of 20 ms during power-on reset and power-down sequences.
 7. (C,X,B,G,L,O) V_{IN} may overshoot (for V_{IH}) or undershoot (for V_{IL}) to the voltages and maximum duration shown in [Figure 2-1](#).
 8. Ethernet MII Management Interface 2 pins function as open drain I/Os. The interface conforms to 1.2 V nominal voltage levels. LV_{DD} must be powered to use this interface.
 9. Supply voltage specified at the voltage sense pin. Voltage input pins must be regulated to provide specified voltage at the sense pin.
 10. Core Group A and Platform supply ($V_{DD_CA_PL}$) and Core Group B supply (V_{DD_CB}) were separate supplies in Rev1.0, they are tied together in Rev1.1.

2.1.2 Recommended Operating Conditions

This table provides the recommended operating conditions for this device. Note that proper device operation outside these conditions is not guaranteed.

Table 2-2. Recommended Operating Conditions

Parameter	Symbol	Recommended Value	Unit	Notes
Core Group A (cores 0–1) and platform supply voltage (Silicon Rev 1.0)	$V_{DD_CA_PL}$	1.0 ± 40 mV (CPU speed > 1333 MHz) 1.0 ± 50 mV (CPU speed ≤ 1333 MHz)	V	(5)(6)
Core Group B (cores 2–3) supply voltage (Silicon Rev 1.0)	V_{DD_CB}	1.0 ± 40 mV (CPU speed > 1333 MHz) 1.0 ± 50 mV (CPU speed ≤ 1333 MHz)	V	(5)(6)
Core Group A (cores 0–1), Core Group B (cores 2–3) and platform supply voltage (Silicon Rev 1.1)	$V_{DD_CA_CB_PL}$	1.0 ± 40 mV (CPU speed > 1333 MHz) 1.0 ± 50 mV (CPU speed ≤ 1333 MHz)	V	(5)(6)
PLL supply voltage (core, platform, DDR)	AV_{DD}	1.0 ± 40 mV (CPU speed > 1333 MHz) 1.0 ± 50 mV (CPU speed ≤ 1333 MHz)	V	–
PLL supply voltage (SerDes)	AV_{DD_SRDS}	1.0 ± 50 mV	V	–
Fuse programming override supply	POV_{DD}	1.5 ± 75 mV	V	(2)
DUART, I ² C, DMA, MPIC, GPIO, system control and power management, clocking, debug, I/O voltage select, and JTAG I/O voltage	OV_{DD}	3.3 ± 165 mV	V	–
eSPI, eSDHC, GPIO	CV_{DD}	3.3 ± 165 mV 2.5 ± 125 mV 1.8 ± 90 mV	V	–
DDR DRAM I/O voltage DDR3 DDR3L	GV_{DD}	1.5 ± 75 mV 1.35 ± 67 mV	V	–
Enhanced local bus I/O voltage	BV_{DD}	3.3 ± 165 mV 2.5 ± 125 mV 1.8 ± 90 mV	V	–

An Important Notice at the end of this datasheet addresses availability, warranty, changes, use in critical applications, intellectual property matters and other important disclaimers

Table 2-2. Recommended Operating Conditions (Continued)

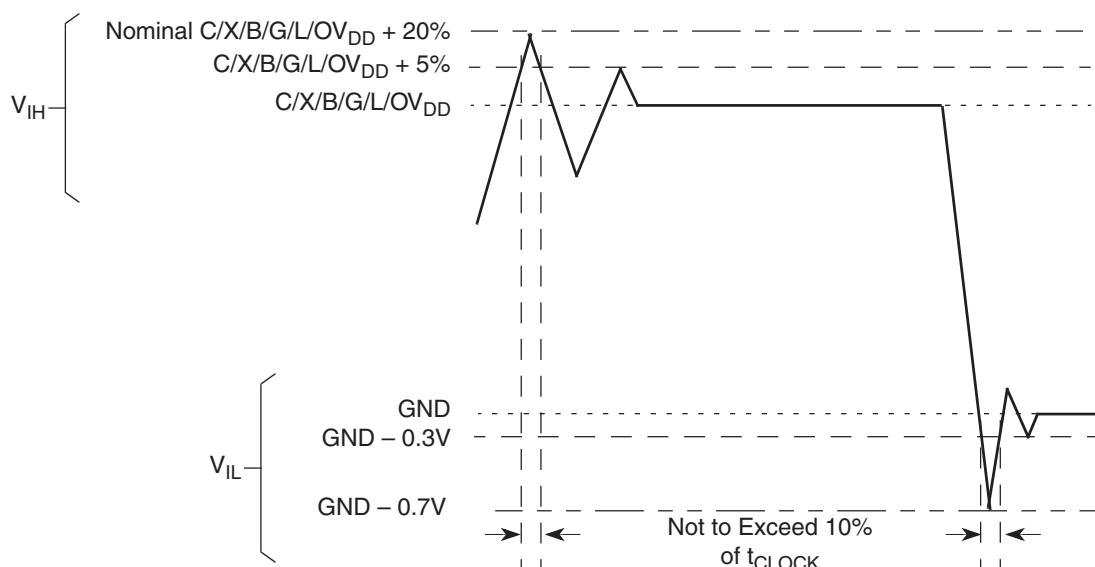
Parameter	Symbol	Recommended Value	Unit	Notes	
SerDes core logic supply and transceivers	SV _{DD}	1.0 ± 50 mV	V	–	
Pad power supply for SerDes transceivers	XV _{DD}	1.8 ± 90 mV 1.5 ± 75 mV	V	–	
Ethernet I/O, Ethernet management interface 1 (EMI1), 1588, GPIO	LV _{DD}	3.3 ± 165 mV 2.5 ± 125 mV	V	(3)	
USB PHY transceiver supply voltage	USB_V _{DD_3P3}	3.3 ± 165 mV	V	–	
USB PHY PLL supply voltage	USB_V _{DD_1P0}	1.0 ± 50 mV	V	–	
Low Power Security Monitor Supply	V _{DD_LP}	1.0 ± 50 mV	V	–	
Input voltage	DDR3 and DDR3L DRAM signals	MV _{IN}	GND to GV _{DD}	V	–
	DDR3 and DDR3L DRAM reference	MV _{REF}	GV _{DD} /2 ± 1%	V	–
	Ethernet signals (except EMI2), GPIO	LV _{IN}	GND to LV _{DD}	V	–
	eSPI, eSHDC, GPIO	CV _{IN}	GND to CV _{DD}	V	–
	Enhanced Local Bus signals	BV _{IN}	GND to BV _{DD}	V	–
	DUART, I2C, DMA, MPIC, GPIO, system control and power management, clocking, debug, I/O voltage select, and JTAG I/O voltage	OV _{IN}	GND to OV _{DD}	V	–
	SerDes signals	XV _{IN}	GND to XV _{DD}	V	–
	USB PHY Transceiver signals	USB_V _{IN_3P3}	GND to USB_V _{DD_3P3}	V	–
	Ethernet Management Interface 2 (EMI2) signals	–	GND to 1.2 V	V	(4)
Operating Temperature range	Extended industrial (F range)	T _A , T _J	T _A = –40 (min) to T _J = 125 (max)	°C	–
	Extended military (M range)	T _A , T _J	T _A = –55 (min) to T _J = 125 (max)	°C	–
	Secure Boot Fuse Programming	T _A , T _J	T _A = 0(min) to T _J = 70 (max)	°C	(1)

- Notes:
1. POV_{DD} must be supplied 1.5 V and the device must operate in the specified fuse programming temperature range only during secure boot fuse programming. For all other operating conditions, POV_{DD} must be tied to GND, subject to the power sequencing constraints shown in [Section 2.2 "Power Up Sequencing" on page 38](#).
 2. Selecting RGMII limits LV_{DD} to 2.5 V.
 3. Unless otherwise stated in an interface's DC specifications, the maximum allowed input capacitance in this table is a general recommendation for signals.
 4. Ethernet MII Management Interface 2 pins function as open drain I/Os. The interface conforms to 1.2 V nominal voltage levels. LV_{DD} must be powered to use this interface.
 5. Supply voltage specified at the voltage sense pin. Voltage input pins must be regulated to provide specified voltage at the sense pin.
 6. Core Group A and Platform supply (V_{DD_CA_PL}) and Core Group B supply (V_{DD_CB}) were separate supplies in Rev1.0, they are tied together in Rev1.1.

An Important Notice at the end of this datasheet addresses availability, warranty, changes, use in critical applications, intellectual property matters and other important disclaimers

This figure shows the overshoot and undershoot voltages at the interfaces of the device.

Figure 2-1. Overshoot/Undershoot Voltage for $BV_{DD}/GV_{DD}/LV_{DD}/OV_{DD}$



Notes:

t_{CLOCK} refers to the clock period associated with the respective interface:

- For I²C, t_{CLOCK} refers to SYSCLK.
- For DDR GV_{DD} , t_{CLOCK} refers to Dn_MCK .
- For eSPI CV_{DD} , t_{CLOCK} refers to SPI_CLK.
- For eLBC BV_{DD} , t_{CLOCK} refers to LCLK.
- For SerDes XV_{DD} , t_{CLOCK} refers to SD_REF_CLK.
- For dTSEC LV_{DD} , t_{CLOCK} refers to EC_GTX_CLK125.
- For JTAG OV_{DD} , t_{CLOCK} refers to TCK.

The core and platform voltages must always be provided at nominal 1.0 V. See [Table 2-2](#) for the actual recommended core voltage conditions. Voltage to the processor interface I/Os is provided through separate sets of supply pins and must be provided at the voltages shown in [Table 2-2](#). The input voltage threshold scales with respect to the associated I/O supply voltage. CV_{DD} , BV_{DD} , OV_{DD} , and LV_{DD} -based receivers are simple CMOS I/O circuits and satisfy appropriate LVCMOS type specifications. The DDR SDRAM interface uses differential receivers referenced by the externally supplied MV_{REFn} signal (nominally set to $GV_{DD}/2$) as is appropriate for the SSTL_1.5/SSTL_1.35 electrical signaling standard. The DDR DQS receivers cannot be operated in single-ended fashion. The complement signal must be properly driven and cannot be grounded.

2.1.3 Output Driver Characteristics

This table provides information about the characteristics of the output driver strengths. The values are preliminary estimates.

Table 2-3. Output Drive Capability

Driver Type	Output Impedance (Ω)	(Nominal) Supply Voltage	Note
Local Bus interface utilities signals	45	$BV_{DD} = 3.3\text{ V}$	–
	45	$BV_{DD} = 2.5\text{ V}$	
	45	$BV_{DD} = 1.8\text{ V}$	
DDR3 signal	20 (full-strength mode)	$GV_{DD} = 1.5\text{ V}$	(1)
	40 (half-strength mode)		
DDR3L signal	20 (full-strength mode)	$GV_{DD} = 1.35\text{ V}$	(1)
	40 (half-strength mode)		
eTSEC/10/100 signals	45	$LV_{DD} = 3.3\text{ V}$	–
	45	$LV_{DD} = 2.5\text{ V}$	
DUART, system control, JTAG	45	$OV_{DD} = 3.3\text{ V}$	–
I ² C	45	$OV_{DD} = 3.3\text{ V}$	–
eSPI, eSDHC	45	$CV_{DD} = 3.3\text{ V}$	–
	45	$CV_{DD} = 2.5\text{ V}$	
	45	$CV_{DD} = 1.8\text{ V}$	

Note: 1. The drive strength of the DDR3 or DDR3L interface in half-strength mode is at $T_j = 105^\circ\text{C}$ and at GV_{DD} (min).

2.2 Power Up Sequencing

The device requires that its power rails be applied in a specific sequence in order to ensure proper device operation. These requirements are as follows for power up:

- Bring up OV_{DD} , LV_{DD} , BV_{DD} , CV_{DD} , and $USB_V_{DD_3P3}$. Drive $POV_{DD} = \text{GND}$.
 - $\overline{\text{PORESET}}$ input must be driven asserted and held during this step.
 - IO_VSEL inputs must be driven during this step and held stable during normal operation.
 - $USB_V_{DD_3P3}$ rise time (10% to 90%) has a minimum of 350 μs .
- Bring up $V_{DD_CA_CB_PL}$, SV_{DD} , AV_{DD} (cores, platform, SerDes) and $USB_V_{DD_1P0}$. $V_{DD_CA_CB_PL}$ and $USB_V_{DD_1P0}$ must be ramped up simultaneously.
- Bring up GV_{DD} (DDR) and XV_{DD} .
- Negate $\overline{\text{PORESET}}$ input as long as the required assertion/hold time has been met per [Table 2-15](#).
- For secure boot fuse programming: After negation of $\overline{\text{PORESET}}$, drive $POV_{DD} = 1.5\text{ V}$ after a required minimum delay per [Table 2-4](#). After fuse programming is completed, it is required to return $POV_{DD} = \text{GND}$ before the system is power cycled ($\overline{\text{PORESET}}$ assertion) or powered down ($V_{DD_CA_CB_PL}$ ramp down) per the required timing specified in [Table 2-4](#). See [Section 5](#), "Security Fuse Processor" on page 134, for additional details.

WARNING

Only two secure boot fuse programming events are permitted per lifetime of a device.

No activity other than that required for secure boot fuse programming is permitted while POV_{DD} driven to any voltage above GND, including the reading of the fuse block. The reading of the fuse block may only occur while $POV_{DD} = GND$.

While V_{DD} is ramping, current may be supplied from V_{DD} through the chip to GV_{DD} . Nevertheless, GV_{DD} from an external supply should follow the sequencing described above.

WARNING

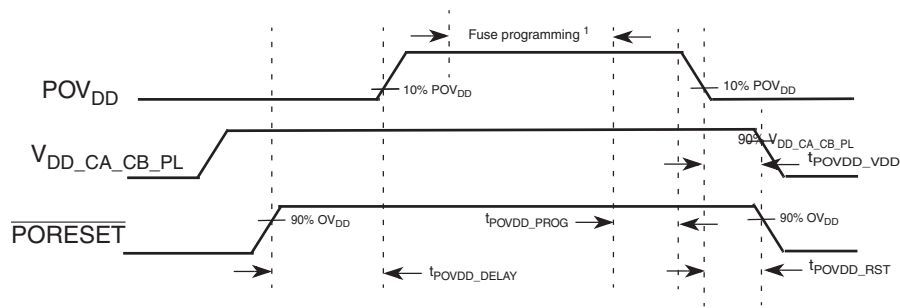
Only 100,000 POR cycles are permitted per lifetime of a device.

All supplies must be at their stable values within 75 ms.

Items on the same line have no ordering requirement with respect to one another. Items on separate lines must be ordered sequentially such that voltage rails on a previous step must reach 90% of their value before the voltage rails on the current step reach 10% of theirs.

This figure provides the POV_{DD} timing diagram.

Figure 2-2. POV_{DD} Timing Diagram



Note: POV_{DD} must be stable at 1.5 V prior to initiating fuse programming.

This table provides information on the power-down and power-up sequence parameters for POV_{DD} .

Table 2-4. POV_{DD} Timing⁽⁵⁾

Driver Type	Min	Max	Unit	Note
t_{POVDD_DELAY}	100	—	SYSCCLKs	(1)
t_{POVDD_PROG}	0	—	μs	(2)
t_{POVDD_VDD}	0	—	μs	(3)
t_{POVDD_RST}	0	—	μs	(4)

- Notes:
1. Delay required from the negation of $\overline{PORESET}$ to driving POV_{DD} ramp up. Delay measured from $\overline{PORESET}$ negation at 90% OV_{DD} to 10% POV_{DD} ramp up.
 2. Delay required from fuse programming finished to POV_{DD} ramp down start. Fuse programming must complete while POV_{DD} is stable at 1.5 V. No activity other than that required for secure boot fuse programming is permitted while POV_{DD} driven to any voltage above GND, including the reading of the fuse block. The reading of the fuse block may only occur while $POV_{DD} = GND$. After fuse programming is completed, it is required to return $POV_{DD} = GND$.

An Important Notice at the end of this datasheet addresses availability, warranty, changes, use in critical applications, intellectual property matters and other important disclaimers

3. Delay required from POV_{DD} ramp down complete to $V_{DD_CA_CB_PL}$ ramp down start. POV_{DD} must be grounded to minimum 10% POV_{DD} before $V_{DD_CA_CB_PL}$ is at 90% V_{DD} .
4. Delay required from POV_{DD} ramp down complete to $PORESET$ assertion. POV_{DD} must be grounded to minimum 10% POV_{DD} before $PORESET$ assertion reaches 90% OV_{DD} .
5. Only two secure boot fuse programming events are permitted per lifetime of a device.

To guarantee MCKE low during power up, the above sequencing for GVDD is required. If there is no concern about any of the DDR signals being in an indeterminate state during power up, the sequencing for GVDD is not required.

WARNING

Incorrect voltage select settings can lead to irreversible device damage. See [Section 3.2 "Supply Power Default Setting" on page 116](#).

NOTE

From a system standpoint, if any of the I/O power supplies ramp prior to the $V_{DD_CA_CB_PL}$ supplies, the I/Os associated with that I/O supply may drive a logic one or zero during power-up, and extra current may be drawn by the device.

2.3 Power Down Requirements

The power-down cycle must complete such that power supply values are below 0.4 V before a new power-up cycle can be started.

If performing secure boot fuse programming per [Section 2.2 "Power Up Sequencing" on page 38](#), it is required that $POV_{DD} = GND$ before the system is power cycled ($PORESET$ assertion) or powered down ($V_{DD_CA_CB_PL}$ ramp down) per the required timing specified in [Table 2-4](#).

$V_{DD_CA_CB_PL}$ and $USB_V_{DD_1P0}$ must be ramped down simultaneously. $USB_V_{DD_1P8_DECAP}$ should start ramping down only after $USB_V_{DD_3P3}$ is below 1.65 V.

2.4 Power Characteristics

This table shows the power dissipations of the $V_{DD_CA_CB_PL}$ supply for various operating platform clock frequencies versus the core and DDR clock frequencies.

Table 2-5. Device Power Dissipation

Power Mode	Core Freq (MHz)	Plat Freq (MHz)	DDR Data Rate (MT/s)	FM Freq (MHz)	$V_{DD_CA_CB_PL}$ (V)	Junction Temp (°C)	Core & Platform Power ⁽¹⁾ (W)	$V_{DD_CA_CB_PL}$ Power (W)	Core & Platform Power ⁽¹⁾ (W)	$V_{DD_CA_CB_PL}$ Power (W)	SV _{DD} Power (W)	Notes
							Quad Cores		Dual Cores			
Typical	1500	750	1333	583	1.0	65	13.2	–	12.5	–	–	(2)(3)
Thermal						105	18.6	–	18.1	–	–	(5)(7)
Maximum						110	19.8	18.6	18.9	17.6	1.4	(4)(6)(7)
Maximum						125	22.6	21.4	21.7	20.4	1.4	(4)(6)(7)
Typical	1333	666	1333	541	1.0	65	11.6	–	11.1	–	–	(2)(3)
Thermal						105	16.3	–	15.8	–	–	(5)(7)
Maximum						110	17.4	16.2	16.6	15.3	1.4	(4)(6)(7)
Maximum						125	20.2	19	19.4	18.1	1.4	(4)(6)(7)
Typical	1200	600	1200	500	1.0	65	10.3	–	9.8	–	–	(2)(3)
Thermal						105	14.2	–	13.8	–	–	(5)(7)
Maximum						110	15.3	14	14.5	13.3	1.4	(4)(6)(7)
Maximum						125	18.1	16.8	17.3	16.1	1.4	(4)(6)(7)

- Notes:
1. Combined power of $V_{DD_CA_CB_PL}$, SVDD with the DDR controller and all SerDes banks active. Does not include I/O power.
 2. Typical power assumes Dhrystone running with activity factor of 70% on all four cores, 80% on two cores and executing DMA on the platform with 90% activity factor.
 3. Typical power based on nominal processed device.
 4. Maximum power assumes Dhrystone running with activity factor at 100% on all cores and executing DMA on the platform with 100% activity factor.
 5. Thermal power assumes Dhrystone running with activity factor of 70% on all four cores, 80% on two cores and executing DMA on the platform with 90% activity factor.
 6. Maximum power provided for power supply design sizing.
 7. Thermal and maximum power are based on worst case processed device.

This table shows the all I/O power supply estimated values.

Table 2-6. P2041 I/O Power Supply Estimated Values

Interface	Parameter	Symbol	Typical	Maximum	Unit	Notes
DDR3 64 Bits Per Controller	667 MT/s data rate	GVdd (1.5 V)	0.705	1.764	W	(1)(2)(5)(6)
	800 MT/s data rate		0.714	1.785		
	1066 MT/s data rate		0.731	1.827		
	1200 MT/s data rate		0.739	1.848		
	1333 MT/s data rate		0.747	1.869		
HSSI: PCI-e, SGMII, SATA, SRIO, Aurora, Debug, XAUI	x1, 1.25 G-baud	XVdd (1.5 V)	0.078	0.087	W	(1)(7)
	x2, 1.25 G-baud		0.119	0.134		
	x4, 1.25 G-baud		0.202	0.226		
	x8, 1.25 G-baud		0.367	0.411		
	x1, 2.5/3.0/3.125/5.0 G-baud		0.088	0.099		
	x2, 2.5/3.0/3.125/5.0 G-baud		0.139	0.156		
	x4, 2.5/3.0/3.125/5.0 G-baud		0.241	0.270		
	x8, 2.5/3.0/3.125/5.0 G-baud		0.447	0.501		
dTSEC Per Controller	RGMI	LVdd (2.5 V)	0.075	0.100	W	(1)(3)(6)
IEEE 1588	–	LVdd (2.5 V)	0.004	0.005	W	(1)(3)(6)
eLBC	32-bit, 100Mhz	BVdd (1.8 V)	0.048	0.120	W	(1)(3)(6)
		BVdd (2.5 V)	0.072	0.193		
		BVdd (3.3 V)	0.120	0.277		
	16-bit, 100Mhz	BVdd (1.8 V)	0.021	0.030	W	(1)(3)(6)
		BVdd (2.5 V)	0.036	0.046		
		BVdd (3.3 V)	0.057	0.076		
eSDHC	–	Ovdd (3.3 V)	0.014	0.150	W	(1)(3)(6)
eSPI	–	CVdd (1.8 V)	0.004	0.005	W	(1)(3)(6)
		CVdd (2.5 V)	0.006	0.008		
		CVdd (3.3 V)	0.010	0.013		
USB	–	LVdd (1.8 V)	0.006	0.008	W	(1)(3)(6)
		LVdd (2.5 V)	0.008	0.010		
		LVdd (3.3 V)	0.012	0.015		
I ² C	–	OVdd (3.3 V)	0.002	0.003	W	(1)(3)(6)
DUART	–	OVdd (3.3 V)	0.006	0.008	W	(1)(3)(6)
GPIO	x8	OVdd (1.8 V)	0.005	0.006	W	(1)(3)(4)(6)
		OVdd (2.5 V)	0.007	0.009		
		OVdd (3.3 V)	0.009	0.011		
Others (Reset, System Clock, JTAG & Misc)	–	OVdd (3.3 V)	0.030	0.015	W	(1)(3)(4)(6)

- Notes: 1. The typical values are estimates and based on simulations at 65°C.
 2. Typical DDR power numbers are based on one 2-rank DIMM with 40% utilization.

An Important Notice at the end of this datasheet addresses availability, warranty, changes, use in critical applications, intellectual property matters and other important disclaimers

3. Assuming 15 pF total capacitance load.
4. GPIO's are supported on 1.8 V, 2.5 V and 3.3 V rails as specified in the hardware specification.
5. Maximum DDR power numbers are based on one 2-rank DIMM with 100% utilization.
6. The maximum values are estimated and they are based on simulations at 105 °C. The values are not intended to be used as the maximum guaranteed current.
7. The total power numbers of XVDD is dependent on customer application use case. This table lists all the SerDes configuration combination possible for the device. To get the XVDD power numbers, the user should add the combined lanes to match to the total SerDes lanes used, not simply multiply the power numbers by the number of lanes.

This table shows the estimated power dissipation on the AV_{DD} and AV_{DD_SRDS} supplies for the device PLLs, at allowable voltage levels.

Table 2-7. Device AV_{DD} Power Dissipation

AVDDs	Typical	Maximum	Unit	Note
AV_{DD_DDR}	5	15	mW	(1)
AV_{DD_CC1}				
AV_{DD_CC2}				
AV_{DD_PLAT}				
AV_{DD_SRDS1}	–	36	mW	(2)
AV_{DD_SRDS2}				
USB_ V_{DD_1P0}	–	10	mW	(3)
V_{DD_LP}	–	5		

- Notes:
1. $V_{DD_CA_CB_PL}$, $T_A = 80^\circ\text{C}$, $T_J = 105^\circ\text{C}$
 2. $SV_{DD} = 1.0\text{ V}$, $T_A = 80^\circ\text{C}$, $T_J = 105^\circ\text{C}$
 3. $USB_V_{DD_1P0} = 1.0\text{ V}$, $V_{DD_LP} = 1.0\text{ V}$, $T_A = 80^\circ\text{C}$, $T_J = 105^\circ\text{C}$

This table shows the estimated power dissipation on the POV_{DD} supply for the chip at allowable voltage levels.

Table 2-8. POV_{DD} Power Dissipation

Supply	Maximum	Unit	Note
POV_{DD}	450	mW	(1)

- Note:
1. To ensure device reliability, fuse programming must be performed within the recommended fuse programming temperature range per [Table 2-2](#).

2.5 Thermal

Table 2-9. Package Thermal Characteristics⁽⁶⁾

Rating	Board	Symbol	Value	Unit	Note
Junction to ambient, natural convection	Single-layer board (1s)	$R_{\theta JA}$	21	°C/W	(1)(2)
Junction to ambient, natural convection	Four-layer board (2s2p)	$R_{\theta JA}$	15	°C/W	(1)(3)
Junction to ambient (at 200 ft./min.)	Single-layer board (1s)	$R_{\theta JMA}$	15	°C/W	(1)(2)
Junction to ambient (at 200 ft./min.)	Four-layer board (2s2p)	$R_{\theta JMA}$	11	°C/W	(1)(2)
Junction to board	–	$R_{\theta JB}$	6	°C/W	(3)
Junction to case top	–	$R_{\theta JCTop}$.53	°C/W	(4)
Junction to lid top	–	$R_{\theta JCLid}$.16	°C/W	(5)

- Notes:
1. Junction temperature is a function of die size, on-chip power dissipation, package thermal resistance, mounting site (board) temperature, ambient temperature, air flow, power dissipation of other components on the board, and board thermal resistance.
 2. Per JEDEC [JESD51–3](#) and JESD51-6 with the board (JESD51–9) horizontal.
 3. Thermal resistance between the die and the printed-circuit board per JEDEC JESD51–8. Board temperature is measured on the top surface of the board near the package.
 4. Junction-to-case-top at the top of the package determined using MIL-STD 883 Method 1012.1. The cold plate temperature is used for the case temperature. Reported value includes the thermal resistance of the interface layer.
 5. Junction-to-lid-top thermal resistance determined using the using MIL-STD 883 Method 1012.1. However, instead of the cold plate, the lid top temperature is used here for the reference case temperature. Reported value does not include the thermal resistance of the interface layer between the package and cold plate.
 6. Reference [Section 3.8 "Thermal Management Information" on page 130](#), for additional details.

2.6 Input Clocks

2.6.1 System Clock (SYSCLK) Timing Specifications

This table shows the SYSCLK DC electrical characteristics.

Table 2-10. SYSCLK DC Electrical Characteristics ($OV_{DD} = 3.3\text{ V}$) (For Recommended Operating Conditions, see [Table 2-2](#))

Parameter	Symbol	Min	Typical	Max	Unit	Note
Input high voltage	V_{IH}	2.0	–	–	V	(1)
Input low voltage	V_{IL}	–	–	0.8	V	(1)
Input capacitance	C_{IN}	–	–	15	pf	–
Input current ($OV_{IN} = 0\text{ V}$ or $OV_{IN} = OV_{DD}$)	I_{IN}	–	–	±50	µA	(2)

- Notes:
1. The min V_{IL} and max V_{IH} values are based on the respective min and max OV_{IN} values found in [Table 2-2](#).
 2. The symbol OV_{IN} , in this case, represents the OV_{IN} symbol referenced in [Section 2.1.2 "Recommended Operating Conditions" on page 35](#).

This table shows the SYSCLK AC timing specifications.

Table 2-11. SYSCLK AC Timing Specifications (For Recommended Operating Conditions, see [Table 2-2](#))

Parameter/Condition	Symbol	Min	Typ	Max	Unit	Note
SYSCLK frequency	f_{SYSCLK}	67	–	133	MHz	(1)(2)
SYSCLK cycle time	t_{SYSCLK}	7.5	–	15	ns	(1)(2)
SYSCLK duty cycle	$t_{\text{KHK}}/t_{\text{SYSCLK}}$	40	–	60	%	(2)
SYSCLK slew rate	–	1	–	4	V/ns	(3)
SYSCLK peak period jitter	–	–	–	±150	ps	–
SYSCLK jitter phase noise at – 56 dBc	–	–	–	500	KHz	(4)
AC Input Swing Limits at 3.3 V OV_{DD}	ΔV_{AC}	1.9	–	–	V	–

- Notes:
- Caution:** The relevant clock ratio settings must be chosen such that the resulting SYSCLK frequency, do not exceed their respective maximum or minimum operating frequencies.
 - Measured at the rising edge and/or the falling edge at $OV_{\text{DD}} \div 2$.
 - Slew rate as measured from $\pm 0.3 \Delta V_{\text{AC}}$ at center of peak to peak voltage at clock input.
 - Phase noise is calculated as FFT of TIE jitter.

2.6.2 Spread Spectrum Sources

Spread spectrum clock sources are an increasingly popular way to control electromagnetic interference emissions (EMI) by spreading the emitted noise to a wider spectrum and reducing the peak noise magnitude in order to meet industry and government requirements. These clock sources intentionally add long-term jitter to diffuse the EMI spectral content. The jitter specification given in this table considers short-term (cycle-to-cycle) jitter only. The clock generator's cycle-to-cycle output jitter should meet the device input cycle-to-cycle jitter requirement. Frequency modulation and spread are separate concerns; the device is compatible with spread spectrum sources if the recommendations listed in this table are observed.

Table 2-12. Spread Spectrum Clock Source Recommendations (For Recommended Operating Conditions, see [Table 2-2](#))

Parameter	Min	Max	Unit	Note
Frequency modulation	–	60	kHz	–
Frequency spread	–	1.0	%	(1)(2)

- Notes:
- SYSCLK frequencies that result from frequency spreading and the resulting core frequency must meet the minimum and maximum specifications given in [Table 2-11](#).
 - Maximum spread spectrum frequency may not result in exceeding any maximum operating frequency of the device.

CAUTION

The processor's minimum and maximum SYSCLK and core/platform/DDR frequencies must not be exceeded regardless of the type of clock source. Therefore, systems in which the processor is operated at its maximum rated core/platform/DDR frequency should avoid violating the stated limits by using down-spreading only.

2.6.3 Real Time Clock Timing

The real time clock timing (RTC) input is sampled by the platform clock. The output of the sampling latch is then used as an input to the counters of the MPIC and the time base unit of the e500mc; there is no need for jitter specification. The minimum pulse width of the RTC signal must be greater than 16× the period of the platform clock. That is, minimum clock high time is 8× (platform clock), and minimum clock low time is 8× (platform clock). There is no minimum RTC frequency; RTC may be grounded if not needed.

2.6.4 dTSEC Gigabit Ethernet Reference Clock Timing

This table provides the dTSEC gigabit reference clocks DC electrical characteristics.

Table 2-13. EC_GTX_CLK125 DC Timing Specifications

Parameter	Symbol	Min	Max	Unit	Note
High-level input voltage	V_{IH}	2	–	V	(1)
Low-level input voltage	V_{IL}	–	0.7	V	(1)
Input current ($LV_{IN} = 0\text{ V}$ or $LV_{IN} = LV_{DD}$)	I_{IN}	–	±40	µA	(2)

- Notes:
1. The max V_{IH} , and min V_{IL} values are based on the respective min and max LV_{IN} values found in [Table 2-2](#).
 2. The symbol LV_{IN} , in this case, represents the LV_{IN} symbol referenced in [Table 2-2](#).

This table provides the dTSEC gigabit reference clocks AC timing specifications.

Table 2-14. EC_GTX_CLK125 AC Timing Specifications

Parameter/Condition	Symbol	Min	Typical	Max	Unit	Note
EC_GTX_CLK125 frequency	t_{G125}	–	125	–	MHz	–
EC_GTX_CLK125 cycle time	t_{G125}	–	8	–	ns	–
EC_GTX_CLK125 rise and fall time $LV_{DD} = 2.5\text{ V}$ $LV_{DD} = 3.3\text{ V}$	t_{G125R}/t_{G125F}	–	–	0.75 1.0	ns	(1)
EC_GTX_CLK125 duty cycle 1000Base-T for RGMII	t_{G125H}/t_{G125}	47	–	53	%	(2)
EC_GTX_CLK125 jitter	–	–	–	± 150	ps	(2)

- Notes:
1. Rise and fall times for EC_GTX_CLK125 are measured from 20% to 80% (rise time) and 80% to 20% (fall time) of LV_{DD} .
 2. EC_GTX_CLK125 is used to generate the GTX clock for the dTSEC transmitter with 2% degradation. EC_GTX_CLK125 duty cycle can be loosened from 47%/53% as long as the PHY device can tolerate the duty cycle generated by the dTSEC GTX_CLK. See [Section 2.12.2.2 "RGMII AC Timing Specifications" on page 59](#), for duty cycle for 10Base-T and 100Base-T reference clock.

2.6.5 Other Input Clocks

A description of the overall clocking of this device is available in the chip reference manual in the form of a clock subsystem block diagram. For information on the input clock requirements of functional blocks sourced external of the device, such as SerDes, Ethernet Management, eSDHC, Local Bus, see the specific interface section.

2.7 RESET Initialization

This section describes the AC electrical specifications for the RESET initialization timing requirements. This table provides the RESET initialization AC timing specifications.

Table 2-15. RESET Initialization Timing Specifications

Parameter	Min	Max	Unit	Note
Required assertion time of $\overline{\text{PORESET}}$	1	–	ms	(3)
Required input assertion time of $\overline{\text{HRESET}}$	32	–	SYCLKs	(1)(2)
Input setup time for POR configs with respect to negation of $\overline{\text{PORESET}}$	4	–	SYCLKs	(1)
Input hold time for all POR configs with respect to negation of $\overline{\text{PORESET}}$	2	–	SYCLKs	(1)
Maximum valid-to-high impedance time for actively driven POR configs with respect to negation of $\overline{\text{PORESET}}$	–	5	SYCLKs	(1)

- Notes:
1. SYCLK is the primary clock input for the device.
 2. The device asserts $\overline{\text{HRESET}}$ as an output when $\overline{\text{PORESET}}$ is asserted to initiate the power-on reset process. The device releases $\overline{\text{HRESET}}$ sometime after $\overline{\text{PORESET}}$ is negated. The exact sequencing of $\overline{\text{HRESET}}$ negation is documented in Section 4.4.1, "Power-On Reset Sequence," in the chip reference manual.
 3. $\overline{\text{PORESET}}$ must be driven asserted before the core and platform power supplies are powered up. Refer to [Section 2.2 "Power Up Sequencing" on page 38](#).

Table 2-16. PLL Lock Times

Parameter	Min	Max	Unit	Note
PLL lock times	–	100	μs	–

2.8 Power-on Ramp Rate

This section describes the AC electrical specifications for the power-on ramp rate requirements. Controlling the maximum power-on ramp rate is required to avoid falsely triggering the ESD circuitry.

This table provides the power supply ramp rate specifications.

Table 2-17. Power Supply Ramp Rate

Parameter	Min	Max	Unit	Note
Required ramp rate for all voltage supplies (including $\text{OV}_{\text{DD}}/\text{CV}_{\text{DD}}/\text{GV}_{\text{DD}}/\text{BV}_{\text{DD}}/\text{SV}_{\text{DD}}/\text{XV}_{\text{DD}}/\text{LV}_{\text{DD}}$ all V_{DD} supplies, MVREF and all AV_{DD} supplies.)	–	36000	V/s	(1)(2)

- Notes:
1. Ramp rate is specified as a linear ramp from 10 to 90%. If non-linear (For example exponential), the maximum rate of change from 200 to 500 mV is the most critical as this range might falsely trigger the ESD circuitry.
 2. Over full recommended operating temperature range (see [Table 2-2](#)).

2.9 DDR3 and DDR3L SDRAM Controller

This section describes the DC and AC electrical specifications for the DDR3 and DDR3L SDRAM controller interface. Note that the required $GV_{DD}(typ)$ voltage is 1.5 V when interfacing to DDR3 SDRAM and $GV_{DD}(typ)$ voltage is 1.35 V when interfacing to DDR3L SDRAM.

2.9.1 DDR3 and DDR3L SDRAM Interface DC Electrical Characteristics

This table provides the recommended operating conditions for the DDR SDRAM controller when interfacing to DDR3 SDRAM.

Table 2-18. DDR3 SDRAM Interface DC Electrical Characteristics ($GV_{DD} = 1.5\text{ V}$) (For Recommended Operating Conditions, see [Table 2-2](#))

Parameter	Symbol	Min	Max	Unit	Note
I/O reference voltage	MV_{REFn}	$0.49 \times GV_{DD}$	$0.51 \times GV_{DD}$	V	(1)(2)(3)(4)
Input high voltage	V_{IH}	$MV_{REFn} + 0.100$	GV_{DD}	V	(5)
Input low voltage	V_{IL}	GND	$MV_{REFn} - 0.100$	V	(5)
I/O leakage current	I_{OZ}	-50	50	μA	(6)

- Notes:
- GV_{DD} is expected to be within 50 mV of the DRAM's voltage supply at all times. The DRAM's and memory controller's voltage supply may or may not be from the same source.
 - MV_{REFn} is expected to be equal to $0.5 \times GV_{DD}$ and to track GV_{DD} DC variations as measured at the receiver. Peak-to-peak noise on MV_{REFn} may not exceed the MV_{REFn} DC level by more than $\pm 1\%$ of the DC value (that is, $\pm 15\text{mV}$).
 - V_{TT} is not applied directly to the device. It is the supply to which far end signal termination is made, and it is expected to be equal to MV_{REFn} with a min value of $MV_{REFn} - 0.04$ and a max value of $MV_{REFn} + 0.04$. V_{TT} should track variations in the DC level of MV_{REFn} .
 - The voltage regulator for MV_{REFn} must meet the specifications stated in [Table 2-21](#).
 - Input capacitance load for DQ, DQS, and \overline{DQS} are available in the IBIS models.
 - Output leakage is measured with all outputs disabled, $0\text{ V} \leq V_{OUT} \leq GV_{DD}$

This table provides the recommended operating conditions for the DDR SDRAM controller when interfacing to DDR3L SDRAM.

Table 2-19. DDR3L SDRAM Interface DC Electrical Characteristics ($GV_{DD} = 1.35\text{ V}$) (For Recommended Operating Conditions, see [Table 2-2](#))

Parameter	Symbol	Min	Max	Unit	Note
I/O reference voltage	MV_{REFn}	$0.49 \times GV_{DD}$	$0.51 \times GV_{DD}$	V	(1)(2)(3)(4)
Input high voltage	V_{IH}	$MV_{REFn} + 0.090$	GV_{DD}	V	(5)
Input low voltage	V_{IL}	GND	$MV_{REFn} - 0.090$	V	(5)
I/O leakage current	I_{OZ}	-50	50	μA	(6)
Output high current ($V_{OUT} = 0.641\text{ V}$)	I_{OH}	-	-23.8	mA	(7)(8)
Output low current ($V_{OUT} = 0.641\text{ V}$)	I_{OL}	23.8	-	mA	(7)(8)

- Notes:
- GV_{DD} is expected to be within 50 mV of the DRAM's voltage supply at all times. The DRAM's and memory controller's voltage supply may or may not be from the same source.
 - MV_{REFn} is expected to be equal to $0.5 \times GV_{DD}$ and to track GV_{DD} DC variations as measured at the receiver. Peak-to-peak noise on MV_{REFn} may not exceed the MV_{REFn} DC level by more than $\pm 1\%$ of the DC value (that is, $\pm 13.5\text{ mV}$).
 - V_{TT} is not applied directly to the device. It is the supply to which far end signal termination is made, and it is expected to be equal to MV_{REFn} with a min value of $MV_{REFn} - 0.04$ and a max value of $MV_{REFn} + 0.04$. V_{TT} should track variations in the DC level of MV_{REFn} .

An Important Notice at the end of this datasheet addresses availability, warranty, changes, use in critical applications, intellectual property matters and other important disclaimers

4. The voltage regulator for MV_{REFn} must meet the specifications stated in [Table 2-21](#).
5. Input capacitance load for DQ, DQS, and \overline{DQS} are available in the IBIS models.
6. Output leakage is measured with all outputs disabled, $0\text{ V} \leq V_{OUT} \leq GV_{DD}$
7. Refer to the IBIS model for the complete output IV curve characteristics.
8. I_{OH} and I_{OL} are measured at $GV_{DD} = 1.283\text{ V}$

This table provides the DDR controller interface capacitance for DDR3 and DDR3L.

Table 2-20. DDR3 and DDR3L SDRAM Capacitance (For Recommended Operating Conditions, see [Table 2-2](#))

Parameter	Symbol	Min	Max	Unit	Note
Input/output capacitance: DQ, DQS, \overline{DQS}	C_{IO}	6	8	pF	(1)(2)
Delta input/output capacitance: DQ, DQS, \overline{DQS}	C_{DIO}	–	0.5	pF	(1)(2)

- Notes:
1. This parameter is sampled. $GV_{DD} = 1.5\text{ V} \pm 0.075\text{ V}$ (for DDR3), $f = 1\text{ MHz}$, $T_A = 25^\circ\text{C}$, $V_{OUT} = GV_{DD} \div 2$, V_{OUT} (peak-to-peak) = 0.150 V.
 2. This parameter is sampled. $GV_{DD} = 1.35\text{ V} - 0.067\text{ V} \div + 0.100\text{ V}$ (for DDR3L), $f = 1\text{ MHz}$, $T_A = 25^\circ\text{C}$, $V_{OUT} = GV_{DD} \div 2$, V_{OUT} (peak-to-peak) = 0.167 V.

This table provides the current draw characteristics for MV_{REFn} .

Table 2-21. Current Draw Characteristics for MV_{REFn} (For Recommended Operating Conditions, see [Table 2-2](#))

Parameter	Symbol	Min	Max	Unit	Note
Current draw for DDR3 SDRAM for MV_{REFn}	MV_{REFn}	–	500	μA	–
Current draw for DDR3L SDRAM for MV_{REFn}	MV_{REFn}	–	500	μA	–

2.9.2 DDR3 and DDR3L SDRAM Interface AC Timing Specifications

This section provides the AC timing specifications for the DDR SDRAM controller interface. The DDR controller supports DDR3 and DDR3L memories. Note that the required $GV_{DD}(\text{typ})$ voltage is 1.5 V when interfacing to DDR3 SDRAM and the required $GV_{DD}(\text{typ})$ voltage is 1.35 V when interfacing to DDR3L SDRAM.

2.9.2.1 DDR3 and DDR3L SDRAM Interface Input AC Timing Specifications

This table provides the input AC timing specifications for the DDR controller when interfacing to DDR3 SDRAM.

Table 2-22. DDR3 SDRAM Interface Input AC Timing Specifications (For Recommended Operating Conditions, see [Table 2-2](#))

Parameter		Symbol	Min	Max	Unit	Note
AC input low voltage	> 1200 MT/s data rate	V_{ILAC}	–	$MV_{REFn} - 0.150$	V	–
	$\leq 1200\text{ MT/s data rate}$			$MV_{REFn} - 0.175$		
AC input high voltage	> 1200 MT/s data rate	V_{IHAC}	$MV_{REFn} + 0.150$	–	V	–
	$\leq 1200\text{ MT/s data rate}$		$MV_{REFn} + 0.175$			

This table provides the input AC timing specifications for the DDR controller when interfacing to DDR3L SDRAM.

Table 2-23. DDR3L SDRAM Interface Input AC Timing Specifications (For Recommended Operating Conditions, see [Table 2-2](#))

Parameter		Symbol	Min	Max	Unit	Note
AC input low voltage	> 1200 MT/s data rate	V_{ILAC}	–	$MV_{REF}n - 0.135$	V	–
	\leq 1200 MT/s data rate	–		$MV_{REF}n - 0.160$		
AC input high voltage	> 1200 MT/s data rate	V_{IHAC}	$MV_{REF}n + 0.135$	–	V	–
	\leq 1200 MT/s data rate		$MV_{REF}n + 0.160$	–		

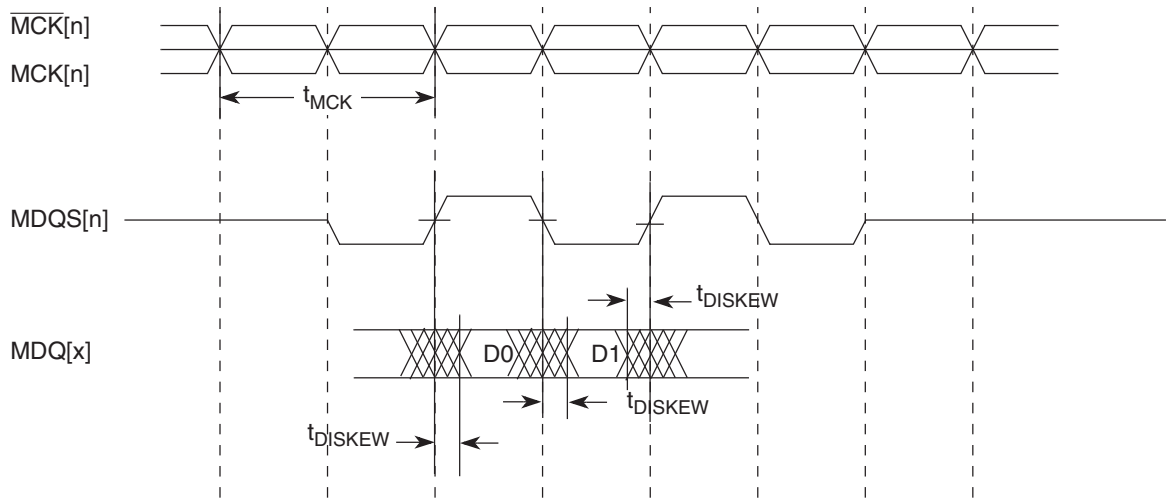
This table provides the input AC timing specifications for the DDR controller when interfacing to DDR3 SDRAM.

Table 2-24. DDR3 and DDR3L SDRAM Interface Input AC Timing Specifications (For Recommended Operating Conditions, see [Table 2-2](#))

Parameter	Symbol	Min	Max	Unit	Note
Controller Skew for MDQS—MDQ/MECC	t_{CISKEW}			ps	(1)
1333 MT/s data rate		–125	125		
1200 MT/s data rate		–142	142		
1066 MT/s data rate		–170	170		
800 MT/s data rate	–200	200			
Tolerated Skew for MDQS—MDQ/MECC	t_{DISKEW}			ps	(2)
1333 MT/s data rate		–250	250		
1200 MT/s data rate		–275	275		
1066 MT/s data rate		–300	300		
800 MT/s data rate	–425	425			

- Notes:
- t_{CISKEW} represents the total amount of skew consumed by the controller between MDQS[n] and any corresponding bit that is captured with MDQS[n]. This must be subtracted from the total timing budget.
 - The amount of skew that can be tolerated from MDQS to a corresponding MDQ signal is called t_{DISKEW} . This can be determined by the following equation: $t_{DISKEW} = \pm(T \div 4 - \text{abs}(t_{CISKEW}))$ where T is the clock period and $\text{abs}(t_{CISKEW})$ is the absolute value of t_{CISKEW} .

Figure 2-3. DDR3 and DDR3L SDRAM Interface Input Timing Diagram



2.9.2.2 DDR3 and DDR3L SDRAM Interface Output AC Timing Specifications

This table provides the DDR3/DDR3L SDRAM output AC timing specifications.

Table 2-25. DDR3 and DDR3L SDRAM Interface Output AC Timing Specifications (For Recommended Operating Conditions, see Table 2-2)

Parameter	Symbol ⁽¹⁾	Min	Max	Unit	Note
MCK[n] cycle time	t_{MCK}	1.5	2.5	ns	(2)
ADDR/CMD output setup with respect to MCK	t_{DDKHAS}			ns	(3)
1333 MT/s data rate		0.606	–		
1200 MT/s data rate		0.675	–		
1066 MT/s data rate		0.744	–		
800 MT/s data rate		0.917	–		
ADDR/CMD output hold with respect to MCK	t_{DDKHAX}			ns	(3)
1333 MT/s data rate		0.606	–		
1200 MT/s data rate		0.675	–		
1066 MT/s data rate		0.744	–		
800 MT/s data rate		0.917	–		
$\overline{MCS}[n]$ output setup with respect to MCK	t_{DDKHCS}			ns	(3)
1333 MT/s data rate		0.606	–		
1200 MT/s data rate		0.675	–		
1066 MT/s data rate		0.744	–		
800 MT/s data rate		0.917	–		
$\overline{MCS}[n]$ output hold with respect to MCK	t_{DDKHXC}			ns	(3)
1333 MT/s data rate		0.606	–		
1200 MT/s data rate		0.675	–		
1066 MT/s data rate		0.744	–		
800 MT/s data rate		0.917	–		

An Important Notice at the end of this datasheet addresses availability, warranty, changes, use in critical applications, intellectual property matters and other important disclaimers

Table 2-25. DDR3 and DDR3L SDRAM Interface Output AC Timing Specifications (For Recommended Operating Conditions, see [Table 2-2](#)) (Continued)

Parameter	Symbol ⁽¹⁾	Min	Max	Unit	Note
MCK to MDQS Skew	t_{DDKHMH}			ns	(4)
> 1066 MT/s data rate		-0.245	0.245		(4)(6)
800 MT/s data rate		-0.375	0.375		(4)
MDQ/MECC/MDM output setup with respect to MDQS	t_{DDKHDS}, t_{DDKLDS}			ps	(5)
1333 MT/s data rate		250	–		
1200 MT/s data rate		275	–		
1066 MT/s data rate		300	–		
800 MT/s data rate		375	–		
MDQ/MECC/MDM output hold with respect to MDQS	t_{DDKHDX}, t_{DDKLDX}			ps	(5)
1333 MT/s data rate		250	–		
1200 MT/s data rate		275	–		
1066 MT/s data rate		300	–		
800 MT/s data rate		375	–		
MDQS preamble	t_{DDKHMP}	$0.9 \times t_{MCK}$	–	ns	–
MDQS postamble	t_{DDKHME}	$0.4 \times t_{MCK}$	$0.6 \times t_{MCK}$	ns	–

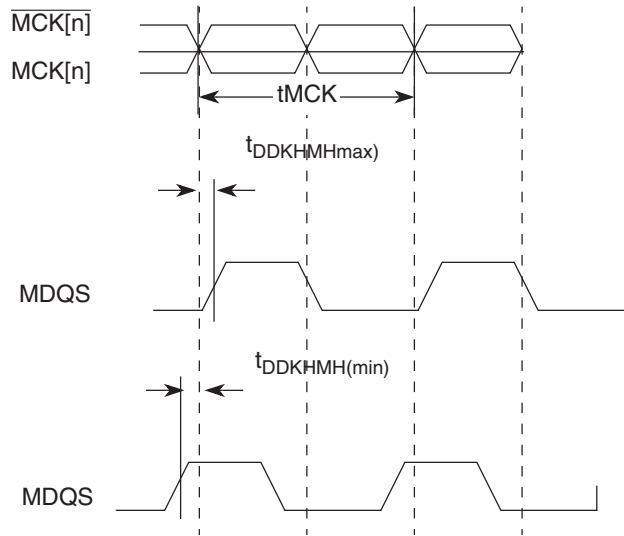
- Notes:
- The symbols used for timing specifications follow the pattern of $t_{(first\ two\ letters\ of\ functional\ block)(signal)(state)\ (reference)(state)}$ for inputs and $t_{(first\ two\ letters\ of\ functional\ block)(reference)(state)(signal)(state)}$ for outputs. Output hold time can be read as DDR timing (DD) from the rising or falling edge of the reference clock (KH or KL) until the output went invalid (AX or DX). For example, t_{DDKHAS} symbolizes DDR timing (DD) for the time t_{MCK} memory clock reference (K) goes from the high (H) state until outputs (A) are setup (S) or output valid time. Also, t_{DDKLDX} symbolizes DDR timing (DD) for the time t_{MCK} memory clock reference (K) goes low (L) until data outputs (D) are invalid (X) or data output hold time.
 - All MCK/\overline{MCK} and $MDQS/\overline{MDQS}$ referenced measurements are made from the crossing of the two signals.
 - ADDR/CMD includes all DDR SDRAM output signals except MCK/\overline{MCK} , \overline{MCS} , and $MDQ/MECC/MDM/MDQS$.
 - Note that t_{DDKHMH} follows the symbol conventions described in note 1. For example, t_{DDKHMH} describes the DDR timing (DD) from the rising edge of the $MCK[n]$ clock (KH) until the MDQS signal is valid (MH). t_{DDKHMH} can be modified through control of the MDQS override bits (called WR_DATA_DELAY) in the $TIMING_CFG_2$ register. This is typically set to the same delay as in $DDR_SDRAM_CLK_CNTL[CLK_ADJUST]$. The timing parameters listed in the table assume that these two parameters have been set to the same adjustment value. See the chip reference manual for a description and explanation of the timing modifications enabled by use of these bits.
 - Determined by maximum possible skew between a data strobe (MDQS) and any corresponding bit of data (MDQ), ECC (MECC), or data mask (MDM). The data strobe must be centered inside of the data eye at the pins of the microprocessor.
 - Note that for 1200/1333 frequencies it is required to program the start value of the DQS adjust for write leveling.

NOTE

For the ADDR/CMD setup and hold specifications in [Table 2-25 on page 51](#), it is assumed that the clock control register is set to adjust the memory clocks by $\frac{1}{2}$ applied cycle.

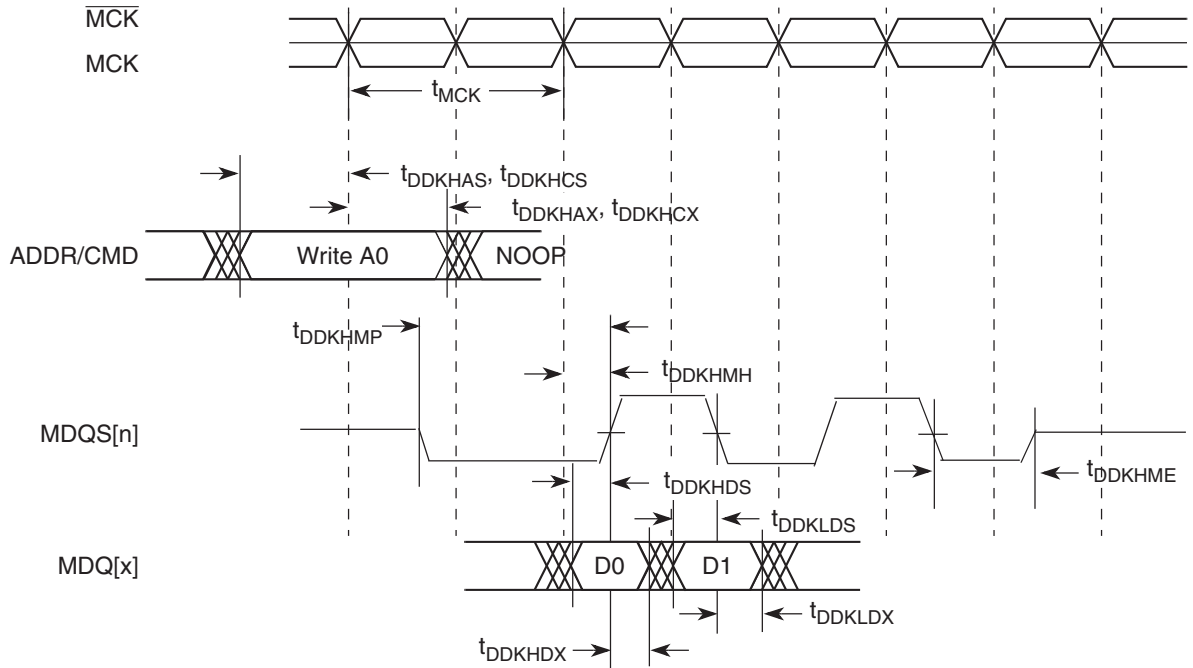
This figure shows the DDR3 and DDR3L SDRAM interface output timing for the MCK to MDQS skew measurement (t_{DDKHMH}):

Figure 2-4. t_{DDKHMH} Timing Diagram



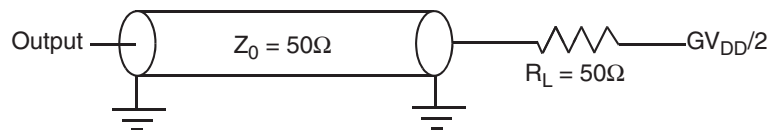
This figure shows the DDR3 and DDR3L SDRAM output timing diagram.

Figure 2-5. DDR3 and DDR3L Output Timing Diagram



This figure provides the AC test load for the DDR3 and DDR3L controller bus.

Figure 2-6. DDR3 and DDR3L Controller Bus AC Test Load

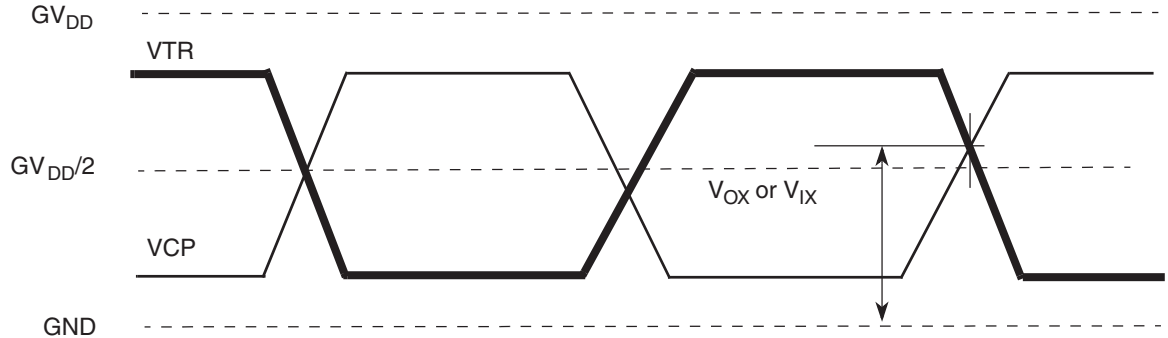


An Important Notice at the end of this datasheet addresses availability, warranty, changes, use in critical applications, intellectual property matters and other important disclaimers

2.9.2.3 DDR3 and DDR3L SDRAM Differential Timing Specifications

This section describes the DC and AC differential timing specifications for the DDR3 and DDR3L SDRAM controller interface. This figure shows the differential timing specification.

Figure 2-7. DDR3 and DDR3L SDRAM Differential Timing Specifications



NOTE

VTR specifies the true input signal (such as MCK or MDQS) and VCP is the complementary input signal (such as $\overline{\text{MCK}}$ or $\overline{\text{MDQS}}$).

This table provides the DDR3 differential specifications for the differential signals $\overline{\text{MDQS}}/\overline{\text{MDQS}}$ and $\overline{\text{MCK}}/\overline{\text{MCK}}$.

Table 2-26. DDR3 SDRAM Differential Electrical Characteristics⁽¹⁾

Parameter	Symbol	Min	Max	Unit	Note
Input AC Differential Cross-Point Voltage	V _{IXAC}	$0.5 \times GV_{DD} - 0.150$	$0.5 \times GV_{DD} + 0.150$	V	–
Output AC Differential Cross-Point Voltage	V _{OXAC}	$0.5 \times GV_{DD} - 0.115$	$0.5 \times GV_{DD} + 0.115$	V	–

Note: 1. I/O drivers are calibrated before making measurements.

This table provides the DDR3L differential specifications for the differential signals $\overline{\text{MDQS}}/\overline{\text{MDQS}}$ and $\overline{\text{MCK}}/\overline{\text{MCK}}$.

Table 2-27. DDR3L SDRAM Differential Electrical Characteristics⁽¹⁾

Parameter	Symbol	Min	Max	Unit	Note
Input AC differential cross-point voltage	V _{IXAC}	$0.5 \times GV_{DD} - 0.135$	$0.5 \times GV_{DD} + 0.135$	V	–
Output AC differential cross-point voltage	V _{OXAC}	$0.5 \times GV_{DD} - 0.105$	$0.5 \times GV_{DD} + 0.105$	V	–

Note: 1. I/O drivers are calibrated before making measurements.

An Important Notice at the end of this datasheet addresses availability, warranty, changes, use in critical applications, intellectual property matters and other important disclaimers

2.10 eSPI

This section describes the DC and AC electrical specifications for the eSPI interface.

2.10.1 eSPI DC Electrical Characteristics

This table provides the DC electrical characteristics for the eSPI interface operating at $CV_{DD} = 3.3\text{ V}$.

Table 2-28. eSPI DC Electrical Characteristics ($CV_{DD} = 3.3\text{ V}$) (For Recommended Operating Conditions, see [Table 2-2](#))

Parameter	Symbol	Min	Max	Unit	Note
Input high voltage	V_{IH}	2.0	–	V	(1)
Input low voltage	V_{IL}	–	0.8	V	(1)
Input current ($V_{IN} = 0\text{ V}$ or $V_{IN} = CV_{DD}$)	I_{IN}	–	± 40	μA	(2)
Output high voltage ($CV_{DD} = \text{min}$, $I_{OH} = -2\text{ mA}$)	V_{OH}	2.4	–	V	–
Output low voltage ($CV_{DD} = \text{min}$, $I_{OL} = 2\text{ mA}$)	V_{OL}	–	0.4	V	–

- Notes:
1. The min V_{IL} and max V_{IH} values are based on the respective min and max CV_{IN} values found in [Table 2-2](#).
 2. The symbol V_{IN} , in this case, represents the CV_{IN} symbol referenced in [Section 2.1.2 "Recommended Operating Conditions"](#) on page 35.

This table provides the DC electrical characteristics for the eSPI interface operating at $CV_{DD} = 2.5\text{ V}$.

Table 2-29. eSPI DC Electrical Characteristics ($CV_{DD} = 2.5\text{ V}$) (For Recommended Operating Conditions, see [Table 2-2](#))

Parameter	Symbol	Min	Max	Unit	Note
Input high voltage	V_{IH}	1.7	–	V	(1)
Input low voltage	V_{IL}	–	0.7	V	(1)
Input current ($V_{IN} = 0\text{ V}$ or $V_{IN} = CV_{DD}$)	I_{IN}	–	± 40	μA	(2)
Output high voltage ($CV_{DD} = \text{min}$, $I_{OH} = -1\text{ mA}$)	V_{OH}	2.0	–	V	–
Output low voltage ($CV_{DD} = \text{min}$, $I_{OL} = 1\text{ mA}$)	V_{OL}	–	0.4	V	–

- Notes:
1. The min V_{IL} and max V_{IH} values are based on the respective min and max CV_{IN} values found in [Table 2-2](#).
 2. The symbol V_{IN} , in this case, represents the CV_{IN} symbol referenced in [Section 2.1.2 "Recommended Operating Conditions"](#) on page 35.

This table provides the DC electrical characteristics for the eSPI interface operating at $CV_{DD} = 1.8\text{ V}$.

Table 2-30. eSPI DC Electrical Characteristics ($CV_{DD} = 1.8\text{ V}$) (For Recommended Operating Conditions, see Table 2-2)

Parameter	Symbol	Min	Max	Unit	Note
Input high voltage	V_{IH}	1.25	–	V	(1)
Input low voltage	V_{IL}	–	0.6	V	(1)
Input current ($V_{IN} = 0\text{ V}$ or $V_{IN} = CV_{DD}$)	I_{IN}	–	± 40	μA	(2)
Output high voltage ($CV_{DD} = \text{min}$, $I_{OH} = -0.5\text{ mA}$)	V_{OH}	1.35	–	V	–
Output low voltage ($CV_{DD} = \text{min}$, $I_{OL} = 0.5\text{ mA}$)	V_{OL}	–	0.4	V	–

- Notes:
1. The min V_{IL} and max V_{IH} values are based on the respective min and max CV_{IN} values found in Table 2-2.
 2. The symbol V_{IN} , in this case, represents the CV_{IN} symbol referenced in Section 2.1.2 "Recommended Operating Conditions" on page 35.

2.10.2 eSPI AC Timing Specifications

This table provides the eSPI input and output AC timing specifications.

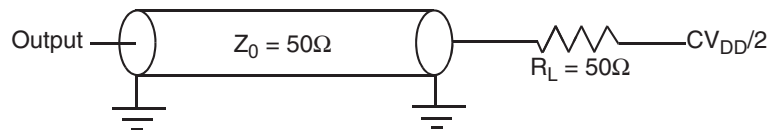
Table 2-31. eSPI AC Timing Specifications (For Recommended Operating Conditions, see Table 2-2)

Parameter	Symbol ⁽¹⁾	Min	Max	Unit	Note
SPI_MOSI output—Master data (internal clock) hold time	$t_{NIKH\text{OX}}$	$2+(t_{\text{PLATFORM_CLK}}^* \text{SPMODE}[\text{HO_ADJ}])$	–	ns	(2)(3)
SPI_MOSI output—Master data (internal clock) delay	$t_{NIKH\text{OV}}$ $t_{NIKH\text{OV}}$	–	$5.68+(t_{\text{PLATFORM_CLK}}^* \text{SPMODE}[\text{HO_ADJ}])$	ns	(2)(3)
SPI_CS outputs—Master data (internal clock) hold time	$t_{NIKH\text{OX}2}$	0	–	ns	(2)
SPI_CS outputs—Master data (internal clock) delay	$t_{NIKH\text{OV}2}$	–	6.0	ns	(2)
eSPI inputs—Master data (internal clock) input setup time	$t_{NIIV\text{KH}}$	7	–	ns	–
eSPI inputs—Master data (internal clock) input hold time	$t_{NIIX\text{KH}}$	0	–	ns	–

- Notes:
1. The symbols used for timing specifications follow the pattern of $t_{(\text{first two letters of functional block})(\text{signal})(\text{state})(\text{reference})(\text{state})}$ for inputs and $t_{(\text{first two letters of functional block})(\text{reference})(\text{state})(\text{signal})(\text{state})}$ for outputs. For example, $t_{NIKH\text{OV}}$ symbolizes the NMSI outputs internal timing (NI) for the time t_{SPI} memory clock reference (K) goes from the high state (H) until outputs (O) are valid (V).
 2. Output specifications are measured from the 50% level of the rising edge of CLKIN to the 50% level of the signal. Timings are measured at the pin.
 3. The greater of the two output timings for $t_{NIKH\text{OX}}$ and $t_{NIKH\text{OV}}$ are used when SPCOM[RxDelay] of the eSPI command register is set. For example, the $t_{NIKH\text{OX}}$ is 4.0 and $t_{NIKH\text{OV}}$ is 7.0 if SPCOM[RxDelay] is set to be 1.

This figure provides the AC test load for the eSPI.

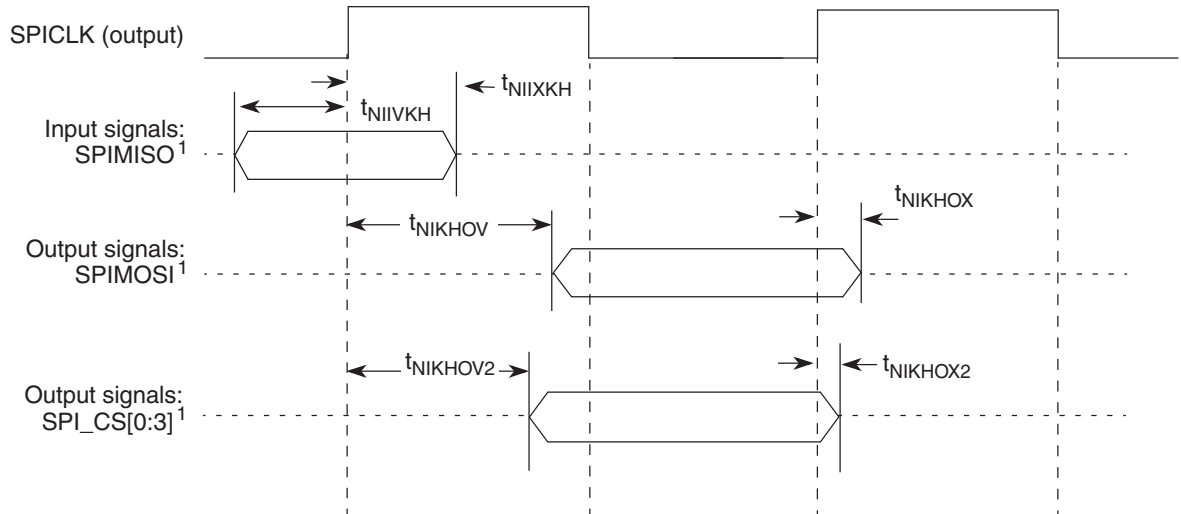
Figure 2-8. eSPI AC Test Load



An Important Notice at the end of this datasheet addresses availability, warranty, changes, use in critical applications, intellectual property matters and other important disclaimers

This figure represents the AC timing from [Table 2-31](#) in master mode (internal clock). Note that although timing specifications generally refer to the rising edge of the clock, this figure also applies when the falling edge is the active edge. Also, note that the clock edge is selectable on eSPI.

Figure 2-9. eSPI AC Timing in Master Mode (Internal Clock) Diagram



2.11 DUART

This section describes the DC and AC electrical specifications for the DUART interface.

2.11.1 DUART DC Electrical Characteristics

This table provides the DC electrical characteristics for the DUART interface.

Table 2-32. DUART DC Electrical Characteristics ($OV_{DD} = 3.3\text{ V}$) (For Recommended Operating Conditions, see [Table 2-2](#))

Parameter	Symbol	Min	Max	Unit	Note
Input high voltage	V_{IH}	2	–	V	(1)
Input low voltage	V_{IL}	–	0.8	V	(1)
Input current ($OV_{IN} = 0\text{ V}$ or $OV_{IN} = OV_{DD}$)	I_{IN}	–	± 40	μA	(2)
Output high voltage ($OV_{DD} = \text{min}$, $I_{OH} = -2\text{ mA}$)	V_{OH}	2.4	–	V	–
Output low voltage ($OV_{DD} = \text{min}$, $I_{OL} = 2\text{ mA}$)	V_{OL}	–	0.4	V	–

- Notes:
1. The symbol OV_{IN} , in this case, represents the OV_{IN} symbol referenced in [Table 2-2](#).
 2. The symbol OV_{IN} , in this case, represents the OV_{IN} symbol referenced in [Section 2.1.2 "Recommended Operating Conditions"](#) on page 35.

2.11.2 DUART AC Electrical Specifications

This table provides the AC timing parameters for the DUART interface.

Table 2-33. DUART AC Timing Specifications (For Recommended Operating Conditions, see [Table 2-2](#))

Parameter	Value	Unit	Note
Minimum baud rate	$f_{\text{PLAT}}/(2 \times 1,048,576)$	baud	(1)
Maximum baud rate	$f_{\text{PLAT}}/(2 \times 16)$	baud	(1)(2)
Oversample rate	16	–	(3)

- Notes:
1. f_{PLAT} refers to the internal platform clock.
 2. The actual attainable baud rate is limited by the latency of interrupt processing.
 3. The middle of a start bit is detected as the eighth sampled 0 after the 1-to-0 transition of the start bit. Subsequent bit values are sampled every 16th sample.

2.12 Ethernet: Data path Three-Speed Ethernet (dTSEC), Management Interface, IEEE Std 1588

This section provides the AC and DC electrical characteristics for the data path three-speed Ethernet controller, the Ethernet Management Interface, and the IEEE Std 1588 interface.

2.12.1 SGMII Timing Specifications

See [Section 2.20.9 "SGMII Interface"](#) on page 105.

2.12.2 RGMII Timing Specifications

This section discusses the electrical characteristics for the MII and RGMII interfaces.

2.12.2.1 RGMII DC Electrical Characteristics

This table shows the RGMII DC electrical characteristics when operating at $LV_{\text{DD}} = 2.5 \text{ V}$ supply.

Table 2-34. RGMII DC Electrical Characteristics ($LV_{\text{DD}} = 2.5 \text{ V}$) (For Recommended Operating Conditions, see [Table 2-2](#))

Parameter	Symbol	Min	Max	Unit	Note
Input high voltage	V_{IH}	1.70	–	V	(1)
Input low voltage	V_{IL}	–	0.70	V	(1)
Input current ($LV_{\text{IN}} = 0 \text{ V}$ or $LV_{\text{IN}} = LV_{\text{DD}}$)	I_{IH}	–	± 40	μA	(2)
Output high voltage ($LV_{\text{DD}} = \text{min}$, $I_{\text{OH}} = -1.0 \text{ mA}$)	V_{OH}	2.00	–	V	–
Output low voltage ($LV_{\text{DD}} = \text{min}$, $I_{\text{OL}} = 1.0 \text{ mA}$)	V_{OL}	–	0.40	V	–

- Notes:
1. The min V_{IL} and max V_{IH} values are based on the respective min and max LV_{IN} values found in [Table 2-2](#).
 2. The symbol V_{IN} , in this case, represents the LV_{IN} symbols referenced in [Table 2-1](#) and [Table 2-2](#).

2.12.2.2 RGMII AC Timing Specifications

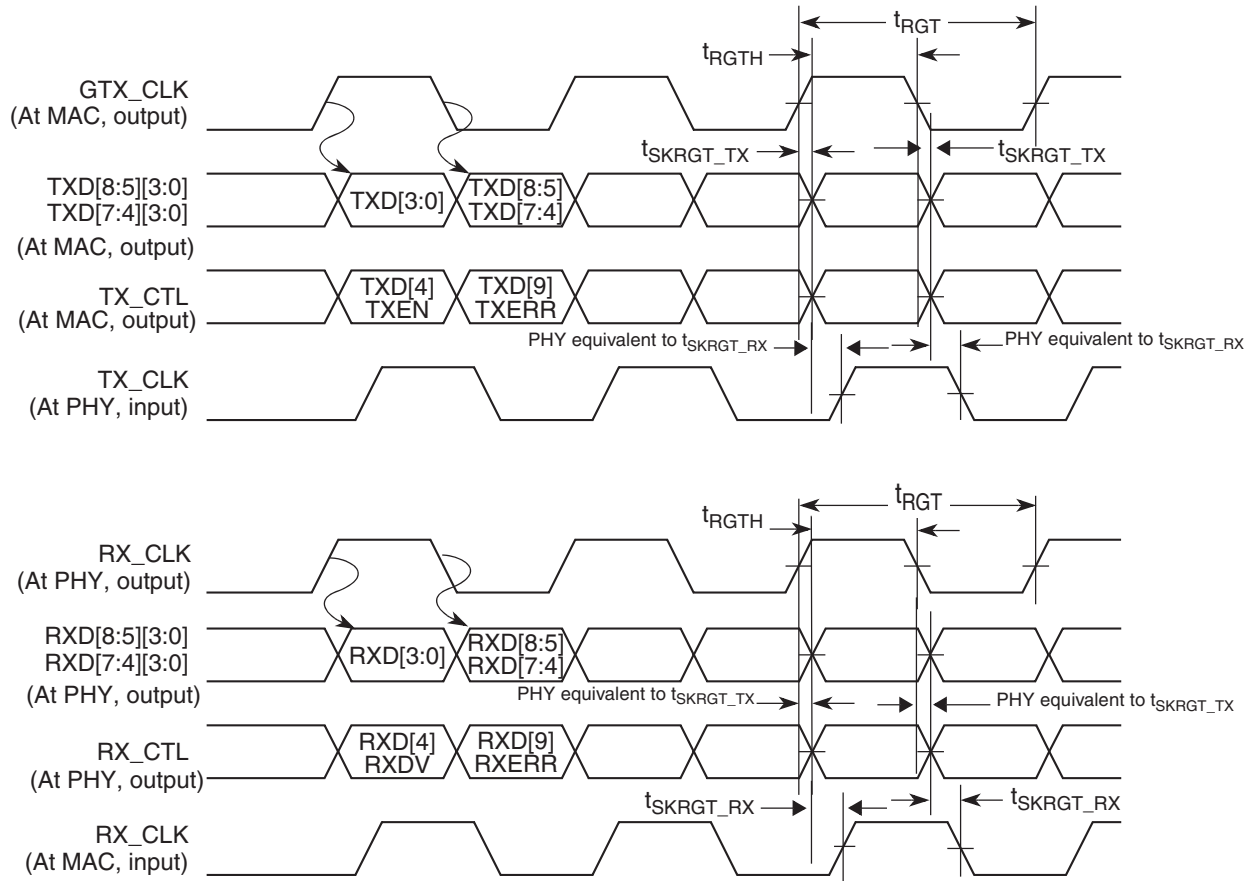
This table shows the RGMII AC timing specifications.

Table 2-35. RGMII AC Timing Specifications (For Recommended Operating Conditions, see [Table 2-2](#))

Parameter/Condition	Symbol ⁽¹⁾	Min	Typ	Max	Unit	Note
Data to clock output skew (at transmitter)	$t_{\text{SKRGT_TX}}$	-500	0	500	ps	(5)
Data to clock input skew (at receiver)	$t_{\text{SKRGT_RX}}$	1.0	–	2.8	ns	(2)
Clock period duration	t_{RGT}	7.2	8.0	8.8	ns	(3)
Duty cycle for 10BASE-T and 100BASE-TX	$t_{\text{RGTH}}/t_{\text{RGT}}$	40	50	60	%	(3)(4)
Duty cycle for Gigabit	$t_{\text{RGTH}}/t_{\text{RGT}}$	45	50	55	%	–
Rise time (20%–80%)	t_{RGTR}	–	–	0.75	ns	–
Fall time (20%–80%)	t_{RGTF}	–	–	0.75	ns	–

- Notes:
- In general, the clock reference symbol representation for this section is based on the symbols RGT to represent RGMII timing. Note that the notation for rise (R) and fall (F) times follows the clock symbol that is being represented. For symbols representing skews, the subscript is skew (SK) followed by the clock that is being skewed (RGT).
 - This implies that PC board design requires clocks to be routed such that an additional trace delay of greater than 1.5 ns is added to the associated clock signal. Many PHY vendors already incorporate the necessary delay inside their chip. If so, additional PCB delay is probably not needed.
 - For 10 and 100 Mbps, t_{RGT} scales to 400 ns \pm 40 ns and 40 ns \pm 4 ns, respectively.
 - Duty cycle may be stretched/shrunk during speed changes or while transitioning to a received packet's clock domains as long as the minimum duty cycle is not violated and stretching occurs for no more than three t_{RGT} of the lowest speed transitioned between.
 - The frequency of RX_CLK should not exceed the frequency of GTX_CLK125 by more than 300 ppm.

Figure 2-10. RGMII AC Timing and Multiplexing Diagrams



An Important Notice at the end of this datasheet addresses availability, warranty, changes, use in critical applications, intellectual property matters and other important disclaimers

2.12.3 Ethernet Management Interface

This section discusses the electrical characteristics for the EMI1 and EMI2 interfaces. EMI1 is the PHY management interface controlled by the MDIO controller associated with Frame Manager 1 1GMAC–1. EMI2 is the XAUI PHY management interface controlled by the MDIO controller associated with Frame Manager 1 10GMAC–0.

2.12.3.1 Ethernet Management Interface DC Electrical Characteristics

The Ethernet management interface is defined to operate at a supply voltage of 3.3 V. The DC electrical characteristics for the Ethernet management interface is provided in this table.

Table 2-36. Ethernet Management Interface 1 DC Electrical Characteristics (LV_{DD} = 3.3 V) (For Recommended Operating Conditions, see [Table 2-2](#))

Parameter	Symbol	Min	Max	Unit	Note
Input high voltage	V _{IH}	2.0	–	V	(2)
Input low voltage	V _{IL}	–	0.9	V	(2)
Input high current (LV _{DD} = Max, V _{IN} = 2.1 V)	I _{IH}	–	40	μA	(1)
Input low current (LV _{DD} = Max, V _{IN} = 0.5 V)	I _{IL}	–600	–	μA	(1)
Output high voltage (LV _{DD} = Min, I _{OH} = –1.0 mA)	V _{OH}	2.4	–	V	–
Output low voltage (LV _{DD} = Min, I _{OL} = 1.0 mA)	V _{OL}	–	0.4	V	–

Notes: 1. The symbol V_{IN}, in this case, represents the LV_{IN} symbol referenced in [Table 2-1](#) and [Table 2-2](#).
2. The min V_{IL} and max V_{IH} values are based on the respective LV_{IN} values found in [Table 2-2](#).

The Ethernet management interface is defined to operate at a supply voltage of 2.5 V. The DC electrical characteristics for the Ethernet management interface is provided in this table.

Table 2-37. Ethernet Management Interface 1 DC Electrical Characteristics (LV_{DD} = 2.5 V) (For Recommended Operating Conditions, see [Table 2-2](#))

Parameter	Symbol	Min	Max	Unit	Note
Input high voltage	V _{IH}	1.7	–	V	(1)
Input low voltage	V _{IL}	–	0.7	V	(1)
Input current (LV _{IN} = 0 V or LV _{IN} = LV _{DD})	I _{IH}	–	±40	μA	(2)
Output high voltage (LV _{DD} = Min, I _{OH} = –1.0 mA)	V _{OH}	2.0	–	V	–
Output low voltage (LV _{DD} = Min, I _{OL} = 1.0 mA)	V _{OL}	–	0.4	V	–

Notes: 1. The min V_{IL} and max V_{IH} values are based on the respective min and max LV_{IN} values found in [Table 2-2](#).
2. The symbol LV_{IN}, in this case, represents the LV_{IN} symbol referenced in [Section 2.1.2 "Recommended Operating Conditions" on page 35](#).

2.12.3.2 Ethernet Management Interface 2 DC Electrical Characteristics

Ethernet Management Interface 2 pins function as open drain I/Os. The interface shall conform to 1.2 V nominal voltage levels. LV_{DD} must be powered to use this interface. The DC electrical characteristics for EMI2_MDIO and EMI2_MDC are provided in this table.

Table 2-38. Ethernet Management Interface 2 DC Electrical Characteristics (1.2 V) (For Recommended Operating Conditions, see [Table 2-2](#))

Parameter	Symbol	Min	Max	Unit	Note
Input high voltage	V _{IH}	0.84	–	V	–
Input low voltage	V _{IL}	–	0.36	V	–
Output high voltage (I _{OH} = –100 μA)	V _{OH}	1.0	–	V	–
Output low voltage (I _{OL} = 100 μA)	V _{OL}	–	0.2	V	–
Output low current (V _{OL} = 0.2 V)	I _{OL}	4	–	mA	–
Input capacitance	C _{IN}	–	10	pF	–

2.12.3.3 Ethernet Management Interface 1 AC Timing Specifications

This table provides the Ethernet management interface 1 AC timing specifications.

Table 2-39. Ethernet Management Interface 1 AC Timing Specifications (For Recommended Operating Conditions, see [Table 2-2](#))

Parameter	Symbol ⁽¹⁾	Min	Typ	Max	Unit	Note
MDC frequency	f _{MDC}	–	–	2.5	MHz	(2)
MDC clock pulse width high	t _{MDCH}	160	–	–	ns	–
MDC to MDIO delay	t _{MDKHDX}	(16 × t _{plb_clk}) – 6	–	(16 × t _{plb_clk}) + 6	ns	(3)(4)
MDIO to MDC setup time	t _{MDDVKH}	10	–	–	ns	–
MDIO to MDC hold time	t _{MDDXKH}	0	–	–	ns	–

- Notes:
- The symbols used for timing specifications follow the pattern of t_{(first two letters of functional block)(signal)(state)(reference)(state)} for inputs and t_{(first two letters of functional block)(reference)(state)(signal)(state)} for outputs. For example, t_{MDKHDX} symbolizes management data timing (MD) for the time t_{MDC} from clock reference (K) high (H) until data outputs (D) are invalid (X) or data hold time. Also, t_{MDDVKH} symbolizes management data timing (MD) with respect to the time data input signals (D) reaching the valid state (V) relative to the t_{MDC} clock reference (K) going to the high (H) state or setup time. For rise and fall times, the latter convention is used with the appropriate letter: R (rise) or F (fall).
 - This parameter is dependent on the platform clock frequency (MIIMCFG [MgmtClk] field determines the clock frequency of the MgmtClk Clock EC_MDC).
 - This parameter is dependent on the platform clock frequency. The delay is equal to 16 platform clock periods ±3 ns. For example, with a platform clock of 333 MHz, the min/max delay is 48 ns ± 3 ns. Similarly, if the platform clock is 400 MHz, the min/max delay is 40 ns ± 3 ns.
 - t_{plb_clk} is the frame manager clock period.

2.12.3.4 Ethernet Management Interface 2 AC Electrical Characteristics

This table provides the Ethernet management interface 2 AC timing specifications.

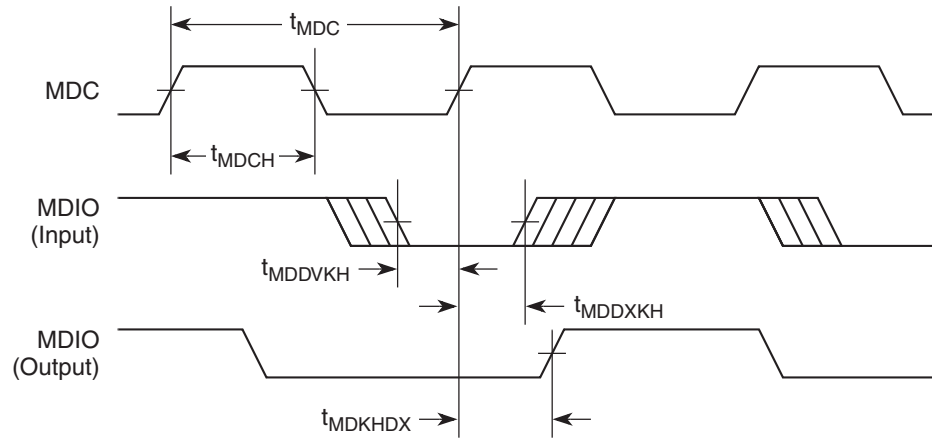
Table 2-40. Ethernet Management Interface 2 AC Timing Specifications (For Recommended Operating Conditions, see Table 2-2)

Parameter/Condition	Symbol ⁽¹⁾	Min	Typ	Max	Unit	Note
MDC frequency	f_{MDC}	–	–	2.5	MHz	(2)
MDC clock pulse width high	t_{MDCH}	160	–	–	ns	–
MDC to MDIO delay	t_{MDKHDX}	$(0.5 \times (1/f_{MDC})) - 6$	–	$(0.5 \times (1/f_{MDC})) + 6$	ns	(3)
MDIO to MDC setup time	t_{MDDVKH}	10	–	–	ns	–
MDIO to MDC hold time	t_{MDDXKH}	0	–	–	ns	–

- Notes:
1. The symbols used for timing specifications follow the pattern of $t_{(first\ two\ letters\ of\ functional\ block)(signal)(state)(reference)(state)}$ for inputs and $t_{(first\ two\ letters\ of\ functional\ block)(reference)(state)(signal)(state)}$ for outputs. For example, t_{MDKHDX} symbolizes management data timing (MD) for the time t_{MDC} from clock reference (K) high (H) until data outputs (D) are invalid (X) or data hold time. Also, t_{MDDVKH} symbolizes management data timing (MD) with respect to the time data input signals (D) reach the valid state (V) relative to the t_{MDC} clock reference (K) going to the high (H) state or setup time.
 2. This parameter is dependent on the frame manager clock frequency (MIIMCFG [MgmtClk] field determines the clock frequency of the MgmtClk Clock EC_MDC).
 3. This parameter is dependent on the management data clock frequency, f_{MDC} . The delay is equal to 0.5 management data clock period ± 6 ns. For example, with a management data clock of 2.5 MHz, the min/max delay is 200 ns ± 6 ns.

This figure shows the Ethernet management interface timing diagram.

Figure 2-11. Ethernet Management Interface Timing Diagram



An Important Notice at the end of this datasheet addresses availability, warranty, changes, use in critical applications, intellectual property matters and other important disclaimers

2.12.4 eTSEC IEEE Std 1588 DC Specifications

This table shows the eTSEC IEEE 1588 DC electrical characteristics when operating at $LV_{DD} = 3.3\text{ V}$ supply.

Table 2-41. IEEE 1588 DC Electrical Characteristics ($LV_{DD} = 3.3\text{ V}$) (For Recommended Operating Conditions, see [Table 2-2](#))

Parameter	Symbol	Min	Max	Unit	Note
Input high voltage	V_{IH}	2.0	–	V	(2)
Input low voltage	V_{IL}	–	0.9	V	(2)
Input high current ($LV_{DD} = \text{Max}$, $V_{IN} = 2.1\text{ V}$)	I_{IH}	–	40	μA	(1)
Input low current ($LV_{DD} = \text{Max}$, $V_{IN} = 0.5\text{ V}$)	I_{IL}	–600	–	μA	(1)
Output high voltage ($LV_{DD} = \text{Min}$, $I_{OH} = -1.0\text{ mA}$)	V_{OH}	2.4	–	V	–
Output low voltage ($LV_{DD} = \text{Min}$, $I_{OL} = 1.0\text{ mA}$)	V_{OL}	–	0.4	V	–

- Notes: 1. The symbol V_{IN} , in this case, represents the LV_{IN} symbol referenced in [Table 2-1](#) and [Table 2-2](#).
 2. The min V_{IL} and max V_{IH} values are based on the respective LV_{IN} values found in [Table 2-2](#).

This table shows the eTSEC IEEE 1588 DC electrical characteristics when operating at $LV_{DD} = 2.5\text{ V}$ supply.

Table 2-42. IEEE 1588 DC Electrical Characteristics ($LV_{DD} = 2.5\text{ V}$) (For Recommended Operating Conditions, see [Table 2-2](#))

Parameter	Symbol	Min	Max	Unit	Note
Input high voltage	V_{IH}	1.70	–	V	(1)
Input low voltage	V_{IL}	–	0.70	V	(1)
Input current ($LV_{IN} = 0\text{ V}$ or $LV_{IN} = LV_{DD}$)	I_{IH}	–	± 40	μA	(2)
Output high voltage ($LV_{DD} = \text{min}$, $I_{OH} = -1.0\text{ mA}$)	V_{OH}	2.00	–	V	–
Output low voltage ($LV_{DD} = \text{min}$, $I_{OL} = 1.0\text{ mA}$)	V_{OL}	–	0.40	V	–

- Notes: 1. The min V_{IL} and max V_{IH} values are based on the respective min and max LV_{IN} values found in [Table 2-2](#).
 2. The symbol V_{IN} , in this case, represents the LV_{IN} symbols referenced in [Table 2-1](#) and [Table 2-2](#).

2.12.5 eTSEC IEEE Std 1588 AC Specifications

This table provides the eTSEC IEEE 1588 AC timing specifications.

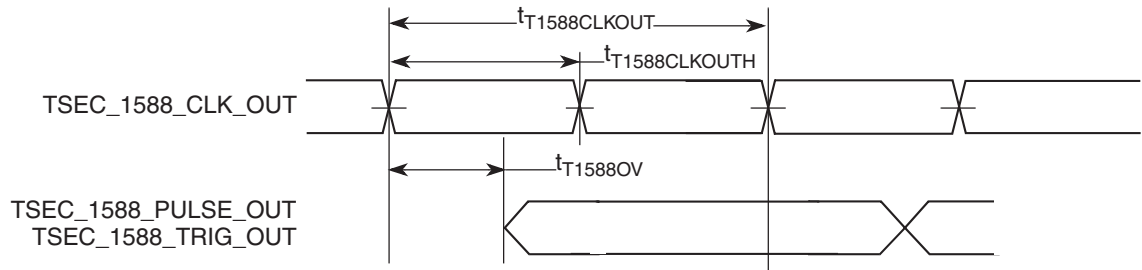
Table 2-43. eTSEC IEEE 1588 AC Timing Specifications (For Recommended Operating Conditions, see Table 2-2)

Parameter	Symbol	Min	Typ	Max	Unit	Note
TSEC_1588_CLK clock period	$t_{T1588CLK}$	6.4	–	$T_{RX_CLK} \times 7$	ns	(1)(2)
TSEC_1588_CLK duty cycle	$\frac{t_{T1588CLKH}}{t_{T1588CLK}}$	40	50	60	%	(3)
TSEC_1588_CLK peak-to-peak jitter	$t_{T1588CLKINJ}$	–	–	250	ps	–
Rise time eTSEC_1588_CLK (20%–80%)	$t_{T1588CLKINR}$	1.0	–	2.0	ns	–
Fall time eTSEC_1588_CLK (80%–20%)	$t_{T1588CLKINF}$	1.0	–	2.0	ns	–
TSEC_1588_CLK_OUT clock period	$t_{T1588CLKOUT}$	$2 \times t_{T1588CLK}$	–	–	ns	–
TSEC_1588_CLK_OUT duty cycle	$\frac{t_{T1588CLKOTH}}{t_{T1588CLKOUT}}$	30	50	70	%	–
TSEC_1588_PULSE_OUT	$t_{T1588OV}$	0.5	–	3.5	ns	–
TSEC_1588_TRIG_IN pulse width	$t_{T1588TRIGH}$	$2 \times t_{T1588CLK_MAX}$	–	–	ns	(2)

- Notes:
1. T_{RX_CLK} is the maximum clock period of eTSEC receiving clock selected by TMR_CTRL[CKSEL]. See the chip reference manual for a description of TMR_CTRL registers.
 2. The maximum value of $t_{T1588CLK}$ is not only defined by the value of T_{RX_CLK} , but also defined by the recovered clock. For example, for 10/100/1000 Mbps modes, the maximum value of $t_{T1588CLK}$ is 2800, 280, and 56 ns, respectively.
 3. It needs to be at least two times the clock period of the clock selected by TMR_CTRL[CKSEL]. See the chip reference manual for a description of TMR_CTRL registers.

This figure shows the data and command output AC timing diagram.

Figure 2-12. eTSEC IEEE 1588 Output AC Timing

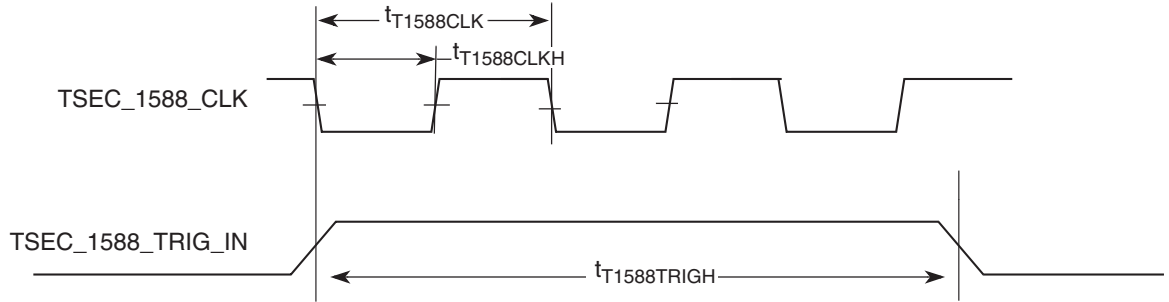


Note: The output delay is counted starting at the rising edge if $t_{T1588CLKOUT}$ is non inverting. Otherwise, it is counted starting at the falling edge.

An Important Notice at the end of this datasheet addresses availability, warranty, changes, use in critical applications, intellectual property matters and other important disclaimers

This figure shows the data and command input AC timing diagram.

Figure 2-13. eTSEC IEEE 1588 Input AC Timing



2.13 USB

This section provides the AC and DC electrical specifications for the USB interface.

2.13.1 USB DC Electrical Characteristics

This table provides the DC electrical characteristics for the USB interface at USB_V_{DD_3P3} = 3.3 V.

Table 2-44. USB DC Electrical Characteristics (USB_V_{DD_3P3} = 3.3 V) (For Recommended Operating Conditions, see [Table 2-2](#))

Parameter	Symbol	Min	Max	Unit	Note
Input high voltage ⁽¹⁾	V _{IH}	2.0	–	V	(1)
Input low voltage	V _{IL}	–	0.8	V	(1)
Input current (USB_V _{IN_3P3} = 0 V or USB_V _{IN_3P3} = USB_V _{DD_3P3})	I _{IN}	–	±60	µA	(2)
Output high voltage (USB_V _{DD_3P3} = min, I _{OH} = –2 mA)	V _{OH}	2.8	–	V	
Output low voltage (USB_V _{DD_3P3} = min, I _{OL} = 2 mA)	V _{OL}	–	0.3	V	–

- Notes:
1. The min V_{IL} and max V_{IH} values are based on the respective min and max USB_V_{IN_3P3} values found in [Table 2-2](#).
 2. The symbol USB_V_{IN_3P3}, in this case, represents the USB_V_{IN_3P3} symbol referenced in [Section 2.1.2 "Recommended Operating Conditions"](#) on page 35.

2.13.2 USB AC Electrical Specifications

This table provides the USB clock input (USB_n_CLKIN) AC timing specifications.

Table 2-45. USB_CLK_IN AC Timing Specifications (For Recommended Operating Conditions, see [Table 2-2](#))

Parameter	Condition	Symbol	Min	Typical	Max	Unit	Note
Frequency range	–	f _{USB_CLK_IN}	–	24	–	MHz	–
Rise/Fall time	Measured between 10% and 90%	t _{USRF}	–	–	6	ns	(1)
Clock frequency tolerance	–	t _{CLK_TOL}	–0.005	0	0.005	%	–
Reference clock duty cycle	Measured at 1.6 V	t _{CLK_DUTY}	40	50	60	%	–
Total input jitter/time interval error	RMS value measured with a second-order, high-pass filter of 500-kHz bandwidth	t _{CLK_PJ}	–	–	5	ps	–

- Note:
1. System/board must be designed to ensure the input requirement to the device is achieved. Proper device operation is guaranteed for inputs meeting this requirement by design, simulation, characterization, or functional testing.

An Important Notice at the end of this datasheet addresses availability, warranty, changes, use in critical applications, intellectual property matters and other important disclaimers

2.14 Enhanced Local Bus Interface

This section describes the DC and AC electrical specifications for the enhanced local bus interface.

2.14.1 Enhanced Local Bus DC Electrical Characteristics

This table provides the DC electrical characteristics for the enhanced local bus interface operating at $BV_{DD} = 3.3\text{ V}$.

Table 2-46. Enhanced Local Bus DC Electrical Characteristics ($BV_{DD} = 3.3\text{ V}$) (For Recommended Operating Conditions, see [Table 2-2](#))

Parameter	Symbol	Min	Max	Unit	Note
Input high voltage	V_{IH}	2	–	V	(1)
Input low voltage	V_{IL}	–	0.8	V	(1)
Input current ($V_{IN} = 0\text{ V}$ or $V_{IN} = BV_{DD}$)	I_{IN}	–	± 40	μA	(2)
Output high voltage ($BV_{DD} = \text{min}$, $I_{OH} = -2\text{ mA}$)	V_{OH}	2.4	–	V	–
Output low voltage ($BV_{DD} = \text{min}$, $I_{OL} = 2\text{ mA}$)	V_{OL}	–	0.4	V	–

- Notes:
1. The min V_{IL} and max V_{IH} values are based on the respective min and max BV_{IN} values found in [Table 2-2](#).
 2. The symbol V_{IN} , in this case, represents the BV_{IN} symbol referenced in [Section 2.1.2 "Recommended Operating Conditions"](#) on page 35.

This table provides the DC electrical characteristics for the enhanced local bus interface operating at $BV_{DD} = 2.5\text{ V}$.

Table 2-47. Enhanced Local Bus DC Electrical Characteristics ($BV_{DD} = 2.5\text{ V}$) (For Recommended Operating Conditions, see [Table 2-2](#))

Parameter	Symbol	Min	Max	Unit	Note
Input high voltage	V_{IH}	1.7	–	V	(1)
Input low voltage	V_{IL}	–	0.7	V	(1)
Input current ($V_{IN} = 0\text{ V}$ or $V_{IN} = BV_{DD}$)	I_{IN}	–	± 40	μA	(2)
Output high voltage ($BV_{DD} = \text{min}$, $I_{OH} = -1\text{ mA}$)	V_{OH}	2.0	–	V	–
Output low voltage ($BV_{DD} = \text{min}$, $I_{OL} = 1\text{ mA}$)	V_{OL}	–	0.4	V	–

- Notes:
1. The min V_{IL} and max V_{IH} values are based on the respective min and max BV_{IN} values found in [Table 2-2](#).
 2. The symbol V_{IN} , in this case, represents the BV_{IN} symbol referenced in [Section 2.1.2 "Recommended Operating Conditions"](#) on page 35.

This table provides the DC electrical characteristics for the enhanced local bus interface operating at $BV_{DD} = 1.8\text{ V}$.

Table 2-48. Enhanced Local Bus DC Electrical Characteristics ($BV_{DD} = 1.8\text{ V}$) (For Recommended Operating Conditions, see [Table 2-2](#))

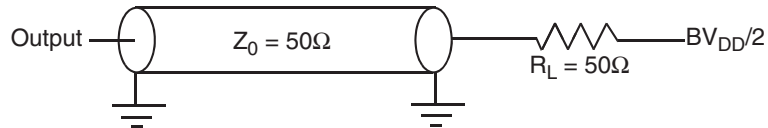
Parameter	Symbol	Min	Max	Unit	Note
Input high voltage	V_{IH}	1.25	–	V	(1)
Input low voltage	V_{IL}	–	0.6	V	(1)
Input current ($V_{IN} = 0\text{ V}$ or $V_{IN} = BV_{DD}$)	I_{IN}	–	± 40	μA	(2)
Output high voltage ($BV_{DD} = \text{min}$, $I_{OH} = -0.5\text{ mA}$)	V_{OH}	1.35	–	V	–
Output low voltage ($BV_{DD} = \text{min}$, $I_{OL} = 0.5\text{ mA}$)	V_{OL}	–	0.4	V	–

- Notes:
1. The min V_{IL} and max V_{IH} values are based on the respective min and max BV_{IN} values found in [Table 2-2](#).
 2. The symbol V_{IN} , in this case, represents the BV_{IN} symbol referenced in [Section 2.1.2 "Recommended Operating Conditions" on page 35](#).

2.14.2 Enhanced Local Bus AC Timing Specifications

This section describes the AC timing specifications for the enhanced local bus interface. This figure shows the eLBC AC test load.

Figure 2-14. Enhanced Local Bus AC Test Load



2.14.2.1 Local Bus AC Timing Specification

All output signal timings are relative to the falling edge of any LCLKs. The external circuit must use the rising edge of the LCLKs to latch the data.

All input timings except LGTA/LUPWAIT/LFRB are relative to the rising edge of LCLKs. LGTA/LUPWAIT/LFRB are relative to the falling edge of LCLKs.

This table provides the eLBC timing specifications.

Table 2-49. Enhanced Local Bus Timing Specifications (For Recommended Operating Conditions, see [Table 2-2](#))

Parameter	Symbol ⁽¹⁾	Min	Max	Unit	Note
Local bus cycle time	t_{LBK}	12	–	ns	–
Local bus duty cycle	t_{LBKH}/t_{LBK}	45	55	%	–
LCLK[n] skew to LCLK[m]	$t_{LBKSKEW}$	–	150	ps	(2)
Input setup (except LGTA/LUPWAIT/LFRB)	t_{LBIVKH}	6	–	ns	–
Input hold (except LGTA/LUPWAIT/LFRB)	t_{LBIXKH}	1	–	ns	–
Input setup (for LGTA/LUPWAIT/LFRB)	t_{LBIVKL}	6	–	ns	–
Input hold (for LGTA/LUPWAIT/LFRB)	t_{LBIXKL}	1	–	ns	–
Output delay (Except LALE)	t_{LBKLOV}	–	2.0	ns	–
Output hold (Except LALE)	t_{LBKLOX}	–3.5	–	ns	(5)
Local bus clock to output high impedance for LAD/LDP	t_{LBKLOZ}	–	2	ns	(3)
LALE output negation to LAD/LDP output transition (LATCH hold time)	t_{LBONOT}	2 platform clock cycles - 1 ns (LBCR[AHD] = 1)	–	ns	(4)
		4 platform clock cycles - 2 ns (LBCR[AHD] = 0)	–		

- Notes:
1. All signals are measured from $BV_{DD}/2$ of rising/falling edge of LCLK to $BV_{DD}/2$ of the signal in question.
 2. Skew is measured between different LCLKs at $BV_{DD}/2$.
 3. For purposes of active/float timing measurements, the high impedance or off state is defined to be when the total current delivered through the component pin is less than or equal to the leakage current specification.
 4. t_{LBONOT} is a measurement of the minimum time between the negation of LALE and any change in LAD. t_{LBONOT} is determined by LBCR[AHD]. The unit is the eLBC controller clock cycle, which is the internal clock that runs the local bus controller, not the external LCLK. After power on reset, LBCR[AHD] defaults to 0.
 5. Output hold is negative, meaning that the output transition happens earlier than the falling edge of LCLK.

This figure shows the AC timing diagram of the local bus interface.

Figure 2-15. Enhanced Local Bus Signals

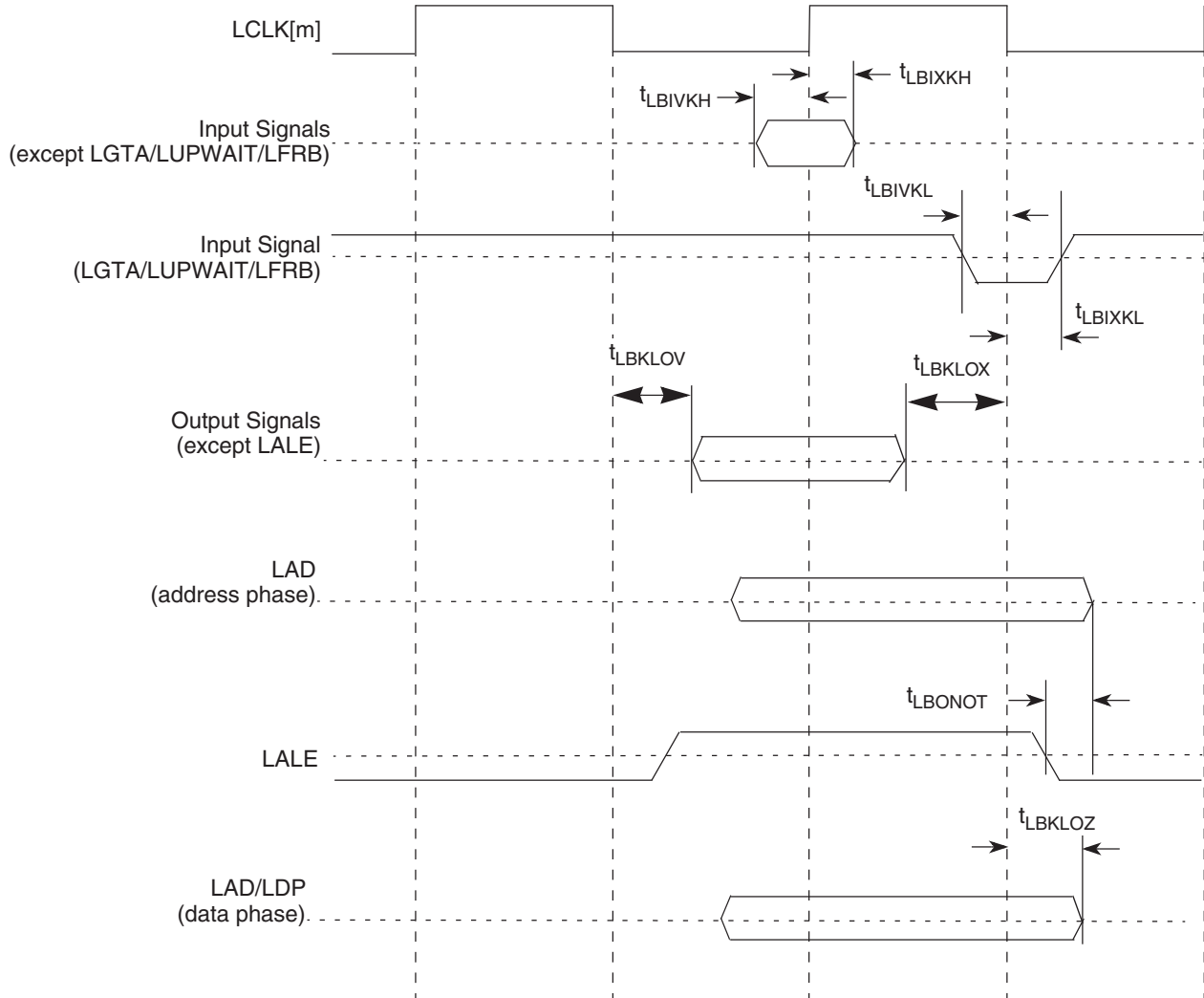


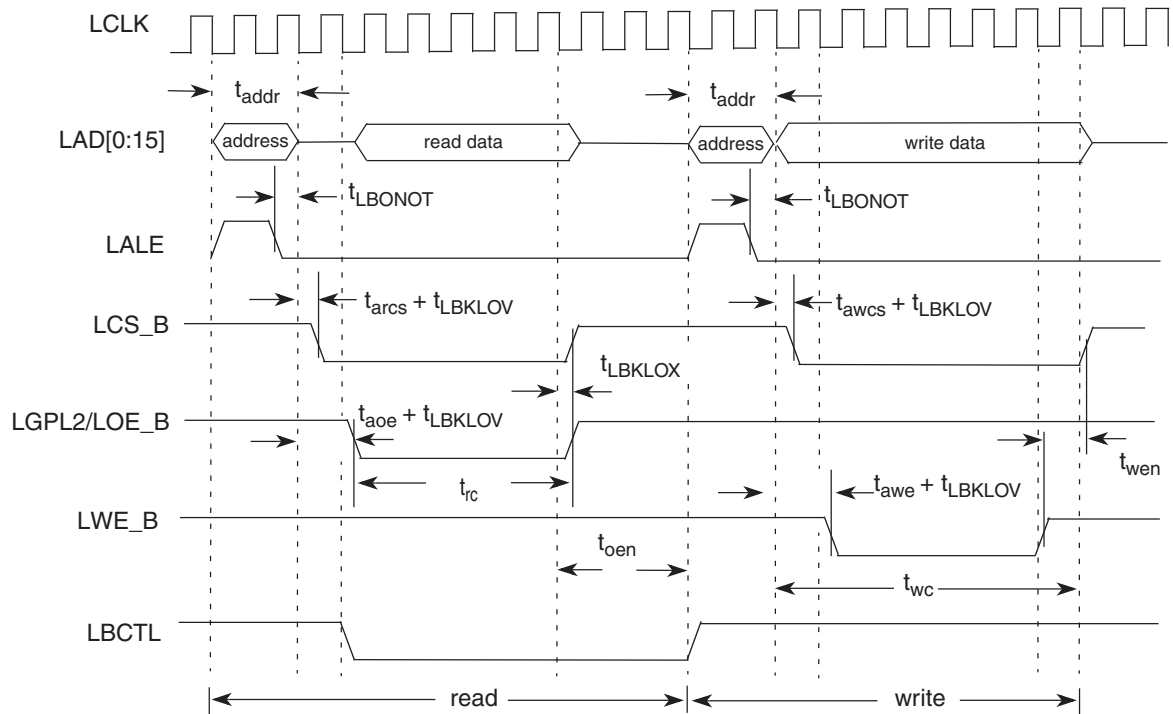
Figure 2-16 applies to all three controllers that eLBC supports: GPCM, UPM, and FCM.

For input signals, the AC timing data is used directly for all three controllers.

For output signals, each type of controller provides its own unique method to control the signal timing. The final signal delay value for output signals is the programmed delay plus the AC timing delay. For example, for GPCM, LCS can be programmed to delay by t_{acs} (0, $\frac{1}{4}$, $\frac{1}{2}$, 1, $1 + \frac{1}{4}$, $1 + \frac{1}{2}$, 2, 3 cycles), so the final delay is $t_{acs} + t_{LBKLOV}$.

This figure shows how the AC timing diagram applies to GPCM. The same principle applies to UPM and FCM.

Figure 2-16. GPCM Output Timing Diagram



1. t_{addr} is programmable and determined by LCRR[EADC] and ORx[EAD].
2. t_{arcs} , t_{awcs} , t_{aoe} , t_{rc} , t_{oen} , t_{awe} , t_{wc} , t_{wen} are determined by ORx. See the chip reference manual.

2.15 Enhanced Secure Digital Host Controller (eSDHC)

This section describes the DC and AC electrical specifications for the eSDHC interface.

2.15.1 eSDHC DC Electrical Characteristics

This table provides the eSDHC electrical characteristics.

Table 2-50. eSDHC Interface DC Electrical Characteristics (For Recommended Operating Conditions, see Table 2-2)

Characteristic	Symbol	Condition	Min	Max	Unit	Note
Input high voltage	V_{IH}	–	$0.625 \times CV_{DD}$	–	V	(1)
Input low voltage	V_{IL}	–	–	$0.25 \times CV_{DD}$	V	(1)
Input/output leakage current	I_{IN}/I_{OZ}	–	–50	50	μA	–
Output high voltage	V_{OH}	$I_{OH} = -100 \mu A$ at CV_{DD} min	$0.75 \times CV_{DD}$	–	V	–
Output low voltage	V_{OL}	$I_{OL} = 100 \mu A$ at CV_{DD} min	–	$0.125 \times CV_{DD}$	V	–
Output high voltage	V_{OH}	$I_{OH} = -100 \mu A$ at CV_{DD} min	$CV_{DD} - 0.2$	–	V	(2)
Output low voltage	V_{OL}	$I_{OL} = 2 \text{ mA}$ at CV_{DD} min	–	0.3	V	(2)

- Notes:
1. The min V_{IL} and max V_{IH} values are based on the respective min and max CV_{IN} values found in Table 2-2.
 2. Open drain mode for MMC cards only.

An Important Notice at the end of this datasheet addresses availability, warranty, changes, use in critical applications, intellectual property matters and other important disclaimers

2.15.2 eSDHC AC Timing Specifications

This table provides the eSDHC AC timing specifications as defined in [Figure 2-17](#) and [Figure 2-18](#).

Table 2-51. eSDHC AC Timing Specifications (For Recommended Operating Conditions, see [Table 2-2](#))

Parameter	Symbol ⁽¹⁾	Min	Max	Unit	Note
SD_CLK clock frequency: SD/SDIO full-speed/high-speed mode MMC full-speed/high-speed mode	f_{SHSCK}	0	25/50 20/52	MHz	(2)(4)
SD_CLK clock low time—full-speed/high-speed mode	t_{SHSCKL}	10/7	—	ns	(4)
SD_CLK clock high time—full-speed/high-speed mode	t_{SHSCKH}	10/7	—	ns	(4)
SD_CLK clock rise and fall times	$t_{SHSCKR}/$ t_{SHSCKF}	—	3	ns	(4)
Input setup times: SD_CMD, SD_DATx, SD_CD to SD_CLK	$t_{SHSIVKH}$	2.5	—	ns	(4)
Input hold times: SD_CMD, SD_DATx, SD_CD to SD_CLK	$t_{SHSIXKH}$	2.5	—	ns	(3)(4)
Output delay time: SD_CLK to SD_CMD, SD_DATx valid	$t_{SHSKHOV}$	–3	3	ns	(4)

- Notes:
- The symbols used for timing specifications herein follow the pattern of $t_{(\text{first three letters of functional block})(\text{signal})(\text{state})(\text{reference})(\text{state})}$ for inputs and $t_{(\text{first three letters of functional block})(\text{reference})(\text{state})(\text{signal})(\text{state})}$ for outputs. For example, $t_{FHSHKHOV}$ symbolizes eSDHC high-speed mode device timing (SHS) clock reference (K) going to the high (H) state, with respect to the output (O) reaching the invalid state (X) or output hold time. Note that in general, the clock reference symbol is based on five letters representing the clock of a particular functional. For rise and fall times, the latter convention is used with the appropriate letter: R (rise) or F (fall).
 - In full-speed mode, the clock frequency value can be 0–25 MHz for an SD/SDIO card and 0–20 MHz for an MMC card. In high-speed mode, the clock frequency value can be 0–50 MHz for an SD/SDIO card and 0–52 MHz for an MMC card.
 - To satisfy setup timing, the delay difference between clock input and cmd/data input must not exceed 2 ns.
 - $C_{CARD} \leq 10$ pF, (1 card), and $C_L = C_{BUS} + C_{HOST} + C_{CARD} \leq 40$ pF

Figure 2-17. eSDHC Clock Input Timing Diagram

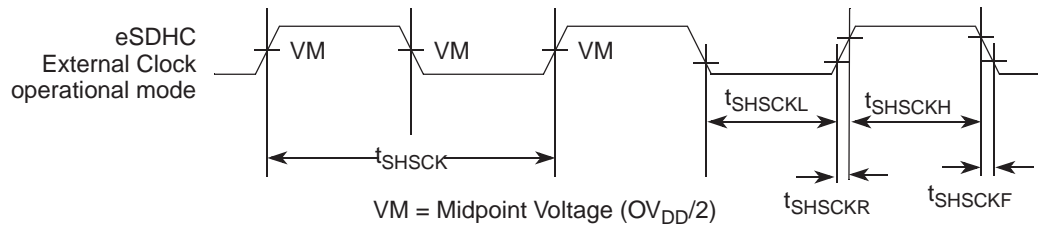
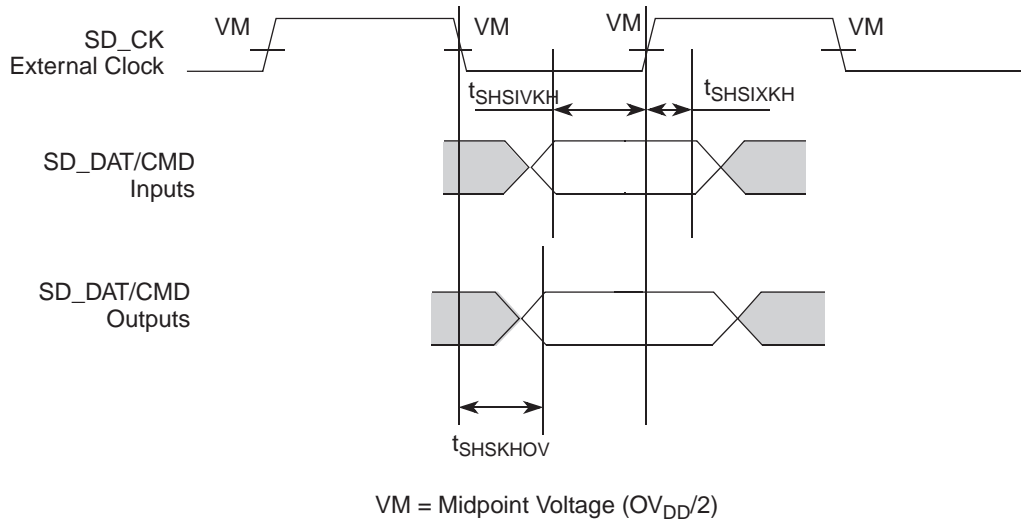


Figure 2-18. eSDHC Data and Command Input/Output Timing Diagram Referenced to Clock



2.16 Multicore Programmable Interrupt Controller (MPIC) Specifications

This section describes the DC and AC electrical specifications for the multicore programmable interrupt controller.

2.16.1 MPIC DC specifications

This table provides the DC electrical characteristics for the MPIC interface.

Table 2-52. MPIC DC Electrical Characteristics ($OV_{DD} = 3.3\text{ V}$) (For Recommended Operating Conditions, see [Table 2-2](#))

Parameter	Symbol	Min	Max	Unit	Note
Input high voltage	V_{IH}	2.0	–	V	(1)
Input low voltage	V_{IL}	–	0.8	V	(1)
Input current ($OV_{IN} = 0\text{ V}$ or $OV_{IN} = OV_{DD}$)	I_{IN}	–	± 40	μA	(2)
Output high voltage ($OV_{DD} = \text{min}$, $I_{OH} = -2\text{ mA}$)	V_{OH}	2.4	–	V	–
Output low voltage ($OV_{DD} = \text{min}$, $I_{OL} = 2\text{ mA}$)	V_{OL}	–	0.4	V	–

- Notes:
- The min V_{IL} and max V_{IH} values are based on the min and max OV_{IN} respective values found in [Table 2-2](#).
 - The symbol OV_{IN} , in this case, represents the OV_{IN} symbol referenced in [Table 2-2](#).

2.16.2 MPIC AC Timing Specifications

This table provides the MPIC input and output AC timing specifications.

Table 2-53. MPIC Input AC Timing Specifications (For Recommended Operating Conditions, see [Table 2-2](#))

Characteristic	Symbol	Min	Max	Unit	Note
MPIC inputs: minimum pulse width	t_{PIWID}	3	–	SYSCLKs	(1)

- Note:
- MPIC inputs and outputs are asynchronous to any visible clock. MPIC outputs must be synchronized before use by any external synchronous logic. MPIC inputs are required to be valid for at least t_{PIWID} ns to ensure proper operation when working in edge triggered mode.

2.17 JTAG Controller

This section describes the DC and AC electrical specifications for the IEEE 1149.1 (JTAG) interface.

2.17.1 JTAG DC Electrical Characteristics

This table provides the JTAG DC electrical characteristics.

Table 2-54. JTAG DC Electrical Characteristics ($OV_{DD} = 3.3\text{ V}$) (For Recommended Operating Conditions, see [Table 2-2](#))

Parameter	Symbol	Min	Max	Unit	Note
Input high voltage	V_{IH}	2	–	V	(1)
Input low voltage	V_{IL}	–	0.8	V	(1)
Input current ($OV_{IN} = 0\text{ V}$ or $OV_{IN} = OV_{DD}$)	I_{IN}	–	± 40	μA	(2)
Output high voltage ($OV_{DD} = \text{min}$, $I_{OH} = -2\text{ mA}$)	V_{OH}	2.4	–	V	–
Output low voltage ($OV_{DD} = \text{min}$, $I_{OL} = 2\text{ mA}$)	V_{OL}	–	0.4	V	–

Notes: 1. The min V_{IL} and max V_{IH} values are based on the respective min and max OV_{IN} values found in [Table 2-2](#).

2. The symbol V_{IN} , in this case, represents the OV_{IN} symbol found in [Table 2-2](#).

2.17.2 JTAG AC Timing Specifications

This table provides the JTAG AC timing specifications as defined in [Figure 2-19](#) through [Figure 2-22](#).

Table 2-55. JTAG AC Timing Specifications (For Recommended Operating Conditions, see [Table 2-2](#))

Parameter	Symbol ⁽¹⁾	Min	Max	Unit	Note
JTAG external clock frequency of operation	f_{JTG}	0	33.3	MHz	–
JTAG external clock cycle time	t_{JTG}	30	–	ns	–
JTAG external clock pulse width measured at $OV_{DD}/2\text{ V}$	t_{JTKHKL}	15	–	ns	–
JTAG external clock rise and fall times	t_{JTGR}/t_{JTGF}	0	2	ns	–
$\overline{\text{TRST}}$ assert time	t_{TRST}	25	–	ns	(2)
Input setup times Boundary-scan USB only Boundary (except USB) TDI, TMS	t_{JTDVKH}	14 4 4	–	ns	–
Input hold times	t_{JTDXKH}	10	–	ns	–
Output valid times Boundary-scan data TDO	t_{JTKLDV}	–	15 10	ns	(3)
Output hold times	t_{JTKLDX}	0	–	ns	(3)

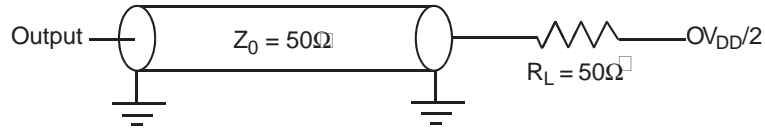
Notes: 1. The symbols used for timing specifications follow the pattern $t_{(\text{first two letters of functional block})(\text{signal})(\text{state})(\text{reference})(\text{state})}$ for inputs and $t_{(\text{first two letters of functional block})(\text{reference})(\text{state})(\text{signal})(\text{state})}$ for outputs. For example, t_{JTDVKH} symbolizes JTAG device timing (JT) with respect to the time data input signals (D) reaching the valid state (V) relative to the t_{JTG} clock reference (K) going to the high (H) state or setup time. Also, t_{JTDXKH} symbolizes JTAG timing (JT) with respect to the time data input signals (D) reaching the invalid state (X) relative to the t_{JTG} clock reference (K) going to the high (H) state. Note that in general, the clock reference symbol representation is based on three letters representing the clock of a particular functional. For rise and fall times, the latter convention is used with the appropriate letter: R (rise) or F (fall).

An Important Notice at the end of this datasheet addresses availability, warranty, changes, use in critical applications, intellectual property matters and other important disclaimers

2. $\overline{\text{TRST}}$ is an asynchronous level sensitive signal. The setup time is for test purposes only.
3. All outputs are measured from the midpoint voltage of the falling edge of t_{TCLK} to the midpoint of the signal in question. The output timings are measured at the pins. All output timings assume a purely resistive 50-Ω load. Time-of-flight delays must be added for trace lengths, vias, and connectors in the system.

This figure provides the AC test load for TDO and the boundary-scan outputs of the device.

Figure 2-19. AC Test Load for the JTAG Interface



This figure provides the JTAG clock input timing diagram.

Figure 2-20. JTAG Clock Input Timing Diagram

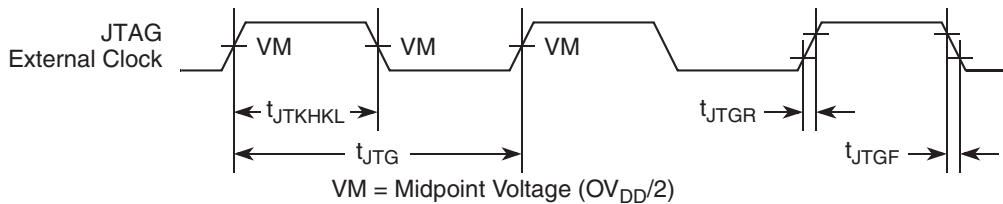


Figure 2-21. $\overline{\text{TRST}}$ Timing Diagram

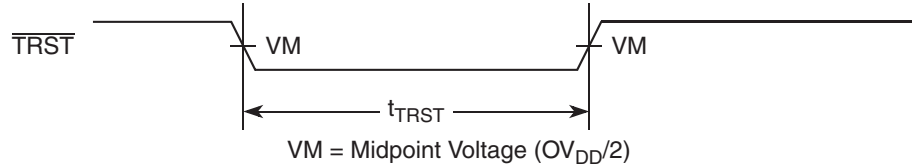
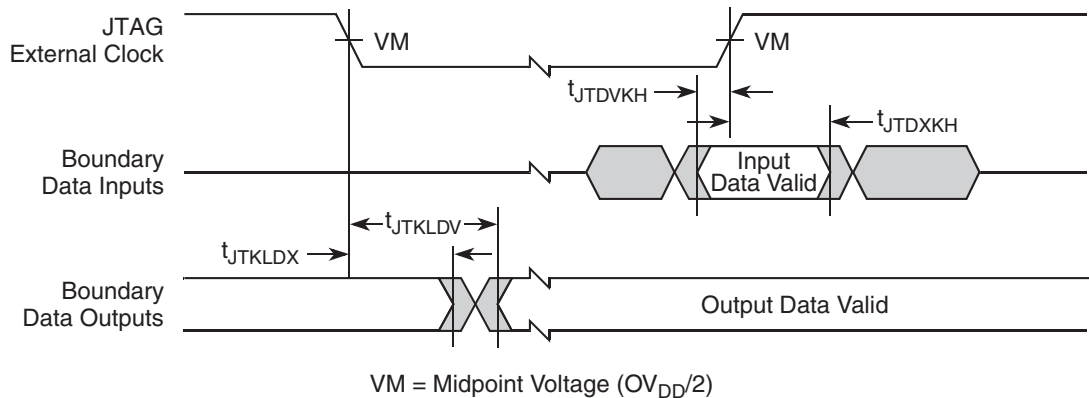


Figure 2-22. Boundary-Scan Timing Diagram



An Important Notice at the end of this datasheet addresses availability, warranty, changes, use in critical applications, intellectual property matters and other important disclaimers

2.18 I²C

This section describes the DC and AC electrical characteristics for the I²C interface.

2.18.1 I²C DC Electrical Characteristics

This table provides the DC electrical characteristics for the I²C interfaces.

Table 2-56. I²C DC Electrical Characteristics (OV_{DD} = 3.3 V) (For Recommended Operating Conditions, see Table 2-2)

Parameter	Symbol	Min	Max	Unit	Note
Input high voltage	V _{IH}	2	–	V	(1)
Input low voltage	V _{IL}	–	0.8	V	(1)
Output low voltage (OV _{DD} = min, I _{OL} = 2 mA)	V _{OL}	0	0.4	V	(2)
Pulse width of spikes which must be suppressed by the input filter	t _{I2KHKL}	0	50	ns	(3)
Input current each I/O pin (input voltage is between 0.1 × OV _{DD} and 0.9 × OV _{DD} (max))	I _I	–40	40	μA	(4)
Capacitance for each I/O pin	C _I	–	10	pF	–

- Notes:
1. The min V_{IL} and max V_{IH} values are based on the respective min and max OV_{IN} values found in Table 2-2.
 2. Output voltage (open drain or open collector) condition = 3 mA sink current.
 3. See the chip reference manual for information about the digital filter used.
 4. I/O pins obstruct the SDA and SCL lines if OV_{DD} is switched off.

2.18.2 I²C AC Electrical Specifications

This table provides the I²C AC timing specifications.

Table 2-57. I²C AC Timing Specifications (For Recommended Operating Conditions, see Table 2-2)

Parameter	Symbol ⁽¹⁾	Min	Max	Unit	Note
SCL clock frequency	f _{I2C}	0	400	kHz	(2)
Low period of the SCL clock	t _{I2CL}	1.3	–	μs	–
High period of the SCL clock	t _{I2CH}	0.6	–	μs	–
Setup time for a repeated START condition	t _{I2SVKH}	0.6	–	μs	–
Hold time (repeated) START condition (after this period, the first clock pulse is generated)	t _{I2SXKL}	0.6	–	μs	–
Data setup time	t _{I2DVKH}	100	–	ns	–
Data input hold time: CBUS compatible masters I ² C bus devices	t _{I2DXKL}	– 0	– –	μs	(3)
Data output delay time	t _{I2OVKL}	–	0.9	μs	(4)
Setup time for STOP condition	t _{I2PVKH}	0.6	–	μs	–
Bus free time between a STOP and START condition	t _{I2KHDX}	1.3	–	μs	–

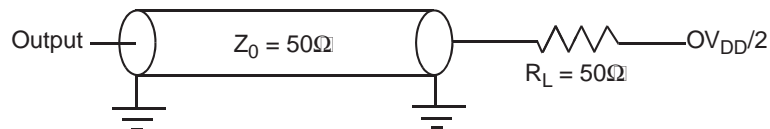
Table 2-57. I²C AC Timing Specifications (For Recommended Operating Conditions, see Table 2-2) (Continued)

Noise margin at the LOW level for each connected device (including hysteresis)	V_{NL}	$0.1 \times OV_{DD}$	–	V	–
Noise margin at the HIGH level for each connected device (including hysteresis)	V_{NH}	$0.2 \times OV_{DD}$	–	V	–
Capacitive load for each bus line	C_b	–	400	pF	–

- Notes:
- The symbols used for timing specifications herein follow the pattern $t_{(first\ two\ letters\ of\ functional\ block)(signal)(state)(reference)(state)}$ for inputs and $t_{(first\ two\ letters\ of\ functional\ block)(reference)(state)(signal)(state)}$ for outputs. For example, t_{I2DVKH} symbolizes I²C timing (I2) with respect to the time data input signals (D) reaching the valid state (V) relative to the t_{I2C} clock reference (K) going to the high (H) state or setup time. Also, t_{I2SXKL} symbolizes I²C timing (I2) for the time that the data with respect to the START condition (S) went invalid (X) relative to the t_{I2C} clock reference (K) going to the low (L) state or hold time. Also, t_{I2PVKH} symbolizes I²C timing (I2) for the time that the data with respect to the STOP condition (P) reaches the valid state (V) relative to the t_{I2C} clock reference (K) going to the high (H) state or setup time.
 - The requirements for I²C frequency calculation must be followed. Refer to Freescale application note AN2919, “Determining the I²C Frequency Divider Ratio for SCL.”
 - As a transmitter, the device provides a delay time of at least 300 ns for the SDA signal (referred to the V_{IHmin} of the SCL signal) to bridge the undefined region of the falling edge of SCL to avoid unintended generation of a START or STOP condition. When the device acts as the I²C bus master while transmitting, it drives both SCL and SDA. As long as the load on SCL and SDA are balanced, the device does not generate an unintended START or STOP condition. Therefore, the 300 ns SDA output delay time is not a concern. If, under some rare condition, the 300 ns SDA output delay time is required for the device as transmitter, application note AN2919 referred to in note 2 above is recommended.
 - The maximum t_{I2OVKL} must be met only if the device does not stretch the LOW period (t_{I2CL}) of the SCL signal.

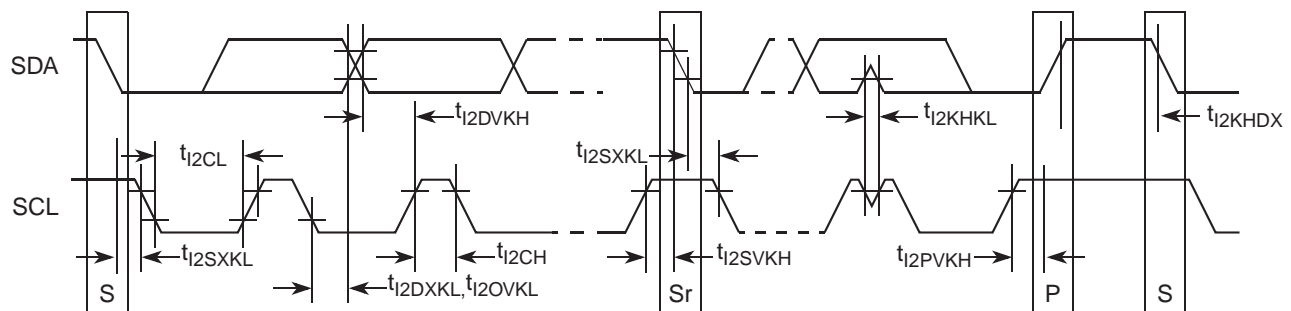
This figure provides the AC test load for the I²C.

Figure 2-23. I²C AC Test Load



This figure shows the AC timing diagram for the I²C bus.

Figure 2-24. I²C Bus AC Timing Diagram



An Important Notice at the end of this datasheet addresses availability, warranty, changes, use in critical applications, intellectual property matters and other important disclaimers

2.19 GPIO

This section describes the DC and AC electrical characteristics for the GPIO interface.

2.19.1 GPIO DC Electrical Characteristics

This table provides the DC electrical characteristics for GPIO pins operating at CV_{DD} , LV_{DD} or $OV_{DD} = 3.3\text{ V}$

Table 2-58. GPIO DC Electrical Characteristics (CV_{DD} , LV_{DD} or $OV_{DD} = 3.3\text{ V}$) (For Recommended Operating Conditions, see [Table 2-2](#))

Parameter	Symbol	Min	Max	Unit	Note
Input high voltage	V_{IH}	2.0	–	V	(1)
Input low voltage	V_{IL}	–	0.8	V	(1)
Input current ($OV_{IN} = 0\text{ V}$ or $OV_{IN} = OV_{DD}$)	I_{IN}	–	± 40	μA	(2)
Output high voltage ($OV_{DD} = \text{min}$, $I_{OH} = -2\text{ mA}$)	V_{OH}	2.4	–	V	–
Output low voltage ($OV_{DD} = \text{min}$, $I_{OL} = 2\text{ mA}$)	V_{OL}	–	0.4	V	–

- Notes:
1. The min V_{IL} and max V_{IH} values are based on the min and max L/OV_{IN} respective values found in [Table 2-2](#).
 2. The symbol V_{IN} , in this case, represents the L/OV_{IN} symbol referenced in [Section 2.1.2 "Recommended Operating Conditions"](#) on page 35.

This table provides the DC electrical characteristics for GPIO pins operating at CV_{DD} or $LV_{DD} = 2.5\text{ V}$.

Table 2-59. GPIO DC Electrical Characteristics (CV_{DD} or $LV_{DD} = 2.5\text{ V}$) (For Recommended Operating Conditions, see [Table 2-2](#))

Parameter	Symbol	Min	Max	Unit	Note
Input high voltage	V_{IH}	1.7	–	V	(1)
Input low voltage	V_{IL}	–	0.7	V	(1)
Input current ($V_{IN} = 0\text{ V}$ or $V_{IN} = LV_{DD}$)	I_{IN}	–	± 40	μA	(2)
Output high voltage ($LV_{DD} = \text{min}$, $I_{OH} = -2\text{ mA}$)	V_{OH}	2.0	–	V	–
Output low voltage ($LV_{DD} = \text{min}$, $I_{OH} = 2\text{ mA}$)	V_{OL}	–	0.4	V	–

- Notes:
1. The min V_{IL} and max V_{IH} values are based on the respective min and max LV_{IN} values found in [Table 2-2](#).
 2. The symbol V_{IN} , in this case, represents the LV_{IN} symbol referenced in [Section 2.1.2 "Recommended Operating Conditions"](#) on page 35.

2.19.2 GPIO AC Timing Specifications

This table provides the GPIO input and output AC timing specifications.

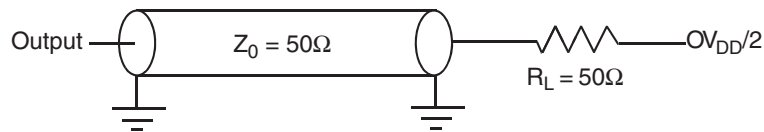
Table 2-60. GPIO Input AC Timing Specifications (For Recommended Operating Conditions, see Table 2-2)

Parameter	Symbol	Min	Unit	Note
GPIO inputs: minimum pulse width	t_{PIWID}	20	ns	(1)

Note: 1. GPIO inputs and outputs are asynchronous to any visible clock. GPIO outputs must be synchronized before use by any external synchronous logic. GPIO inputs are required to be valid for at least t_{PIWID} to ensure proper operation.

This figure provides the AC test load for the GPIO.

Figure 2-25. GPIO AC Test Load



2.20 High-Speed Serial Interfaces (HSSI)

The device features a serializer/deserializer (SerDes) interface to be used for high-speed serial interconnect applications. The SerDes interface can be used for PCI Express, Serial RapidIO, XAUI, Aurora, and SGMII data transfers.

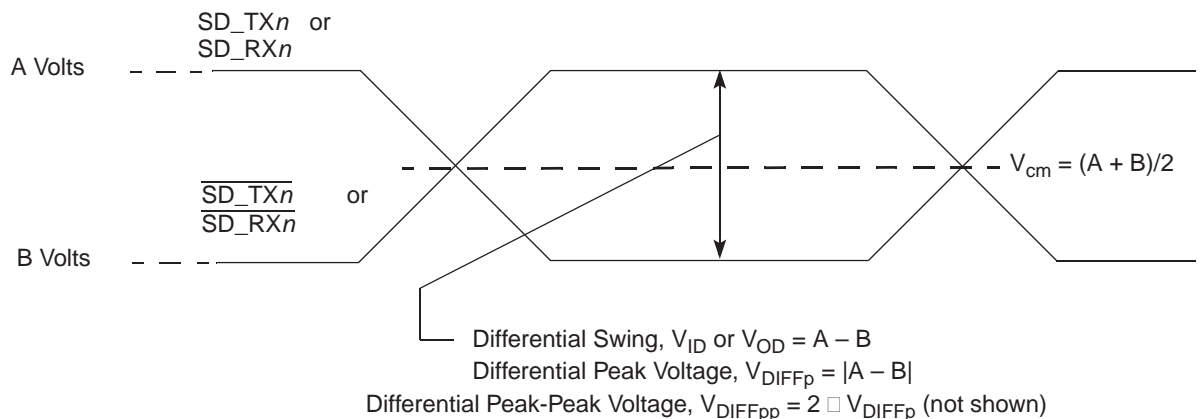
This section describes the common portion of SerDes DC electrical specifications: the DC requirement for SerDes reference clocks. The SerDes data lane's transmitter (Tx) and receiver (Rx) reference circuits are also shown.

2.20.1 Signal Terms Definition

The SerDes utilizes differential signaling to transfer data across the serial link. This section defines terms used in the description and specification of differential signals.

This figure shows how the signals are defined. For illustration purposes only, one SerDes lane is used in the description. This figure shows the waveform for either a transmitter output ($\overline{SD_TXn}$ and $\overline{SD_TXn}$) or a receiver input ($\overline{SD_RXn}$ and $\overline{SD_RXn}$). Each signal swings between A volts and B volts where $A > B$.

Figure 2-26. Differential Voltage Definitions for Transmitter or Receiver



An Important Notice at the end of this datasheet addresses availability, warranty, changes, use in critical applications, intellectual property matters and other important disclaimers

Using this waveform, the definitions are as shown in the following list. To simplify the illustration, the definitions assume that the SerDes transmitter and receiver operate in a fully symmetrical differential signaling environment:

Single-Ended Swing

The transmitter output signals and the receiver input signals SD_TXn , $\overline{SD_TXn}$, SD_RXn and $\overline{SD_RXn}$ each have a peak-to-peak swing of $A - B$ volts. This is also referred as each signal wire's single-ended swing.

Differential Output Voltage, V_{OD} (or Differential Output Swing):

The differential output voltage (or swing) of the transmitter, V_{OD} , is defined as the difference of the two complimentary output voltages: $V_{SD_TXn} - V_{\overline{SD_TXn}}$. The V_{OD} value can be either positive or negative.

Differential Input Voltage, V_{ID} (or Differential Input Swing):

The differential input voltage (or swing) of the receiver, V_{ID} , is defined as the difference of the two complimentary input voltages: $V_{SD_RXn} - V_{\overline{SD_RXn}}$. The V_{ID} value can be either positive or negative.

Differential Peak Voltage, V_{DIFFp}

The peak value of the differential transmitter output signal or the differential receiver input signal is defined as the differential peak voltage, $V_{DIFFp} = |A - B|$ volts.

Differential Peak-to-Peak, $V_{DIFFp-p}$

Since the differential output signal of the transmitter and the differential input signal of the receiver each range from $A - B$ to $-(A - B)$ volts, the peak-to-peak value of the differential transmitter output signal or the differential receiver input signal is defined as differential peak-to-peak voltage, $V_{DIFFp-p} = 2 \times V_{DIFFp} = 2 \times |A - B|$ volts, which is twice the differential swing in amplitude, or twice of the differential peak. For example, the output differential peak-peak voltage can also be calculated as $V_{TX-DIFFp-p} = 2 \times |V_{OD}|$.

Differential Waveform

The differential waveform is constructed by subtracting the inverting signal ($\overline{SD_TXn}$, for example) from the non-inverting signal (SD_TXn , for example) within a differential pair. There is only one signal trace curve in a differential waveform. The voltage represented in the differential waveform is not referenced to ground. See [Figure 2-31](#) as an example for differential waveform.

Common Mode Voltage, V_{cm}

The common mode voltage is equal to half of the sum of the voltages between each conductor of a balanced interchange circuit and ground. In this example, for SerDes output, $V_{cm_out} = (V_{SD_TXn} + V_{\overline{SD_TXn}}) \div 2 = (A + B) \div 2$, which is the arithmetic mean of the two complimentary output voltages within a differential pair. In a system, the common mode voltage may often differ from one component's output to the other's input. It may be different between the receiver input and driver output circuits within the same component. It is also referred to as the DC offset on some occasions.

To illustrate these definitions using real values, consider the example of a current mode logic (CML) transmitter that has a common mode voltage of 2.25 V and outputs, TD and \overline{TD} . If these outputs have a swing from 2.0 V to 2.5 V, the peak-to-peak voltage swing of each signal (TD or \overline{TD}) is 500 mV p-p, which is referred to as the single-ended swing for each signal. Because the differential signaling environment is fully symmetrical in this example, the transmitter output's differential swing (V_{OD}) has the same amplitude as each signal's single-ended swing. The differential output signal ranges between 500 mV and -500 mV. In other words, V_{OD} is 500 mV in one phase and -500 mV in the other phase. The peak differential voltage (V_{DIFFp}) is 500 mV.

The peak-to-peak differential voltage ($V_{DIFFp-p}$) is 1000 mV p-p.

2.20.2 SerDes Reference Clocks

The SerDes reference clock inputs are applied to an internal PLL whose output creates the clock used by the corresponding SerDes lanes. The SerDes reference clocks inputs are $\overline{\text{SD_REF_CLK1}}$ and SD_REF_CLK1 for SerDes bank1 and $\overline{\text{SD_REF_CLK2}}$ and SD_REF_CLK2 for SerDes bank2.

SerDes banks 1–2 may be used for various combinations of the following IP blocks based on the RCW configuration field SRDS_PRTCL:

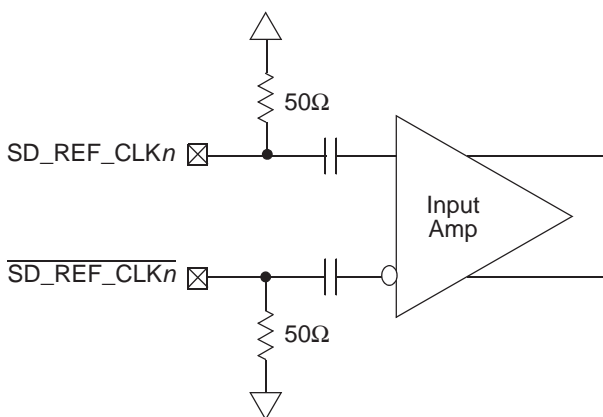
- SerDes bank 1: PCI Express 1/2/3, sRIO1/2, SGMII (1.25 Gbps only).
- SerDes bank 2: PCI Express3, SGMII (1.25 or 3.125 GBaud), SATA or Aurora or XAUI.

The following sections describe the SerDes reference clock requirements and provide application information.

2.20.2.1 SerDes Reference Clock Receiver Characteristics

This figure shows a receiver reference diagram of the SerDes reference clocks.

Figure 2-27. Receiver of SerDes Reference Clocks



The characteristics of the clock signals are as follows:

- The SerDes transceivers core power supply voltage requirements (SV_{DD}) are as specified in [Section 2.1.2 "Recommended Operating Conditions" on page 35](#).
- The SerDes reference clock receiver reference circuit structure is as follows:
 - The $\overline{\text{SD_REF_CLKn}}$ and SD_REF_CLKn are internally AC-coupled differential inputs as shown in [Figure 2-27](#). Each differential clock input ($\overline{\text{SD_REF_CLKn}}$ or SD_REF_CLKn) has on-chip 50- Ω termination to SGND followed by on-chip AC-coupling.
 - The external reference clock driver must be able to drive this termination.
 - The SerDes reference clock input can be either differential or single-ended. Refer to the differential mode and single-ended mode descriptions below for detailed requirements.

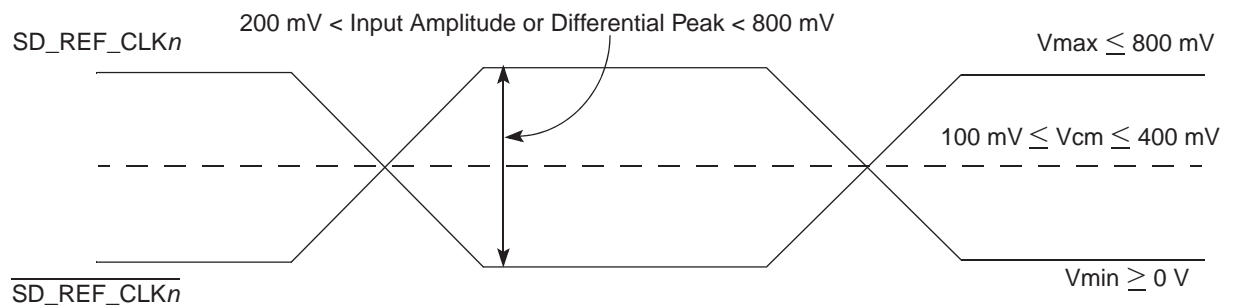
- The maximum average current requirement also determines the common mode voltage range.
 - When the SerDes reference clock differential inputs are DC coupled externally with the clock driver chip, the maximum average current allowed for each input pin is 8 mA. In this case, the exact common mode input voltage is not critical as long as it is within the range allowed by the maximum average current of 8 mA because the input is AC-coupled on-chip.
 - This current limitation sets the maximum common mode input voltage to be less than 0.4 V ($0.4\text{ V} \div 50 = 8\text{ mA}$) while the minimum common mode input level is 0.1 V above SGND. For example, a clock with a 50/50 duty cycle can be produced by a clock driver with output driven by its current source from 0 mA to 16 mA (0–0.8 V), such that each phase of the differential input has a single-ended swing from 0 V to 800 mV with the common mode voltage at 400 mV.
 - If the device driving the SD_REF_CLK_n and $\overline{\text{SD_REF_CLK}}_n$ inputs cannot drive 50 Ω to SGND DC or the drive strength of the clock driver chip exceeds the maximum input current limitations, it must be AC-coupled off-chip.
- The input amplitude requirement is described in detail in the following sections.

2.20.2.2 DC Level Requirement for SerDes Reference Clocks

The DC level requirement for the SerDes reference clock inputs is different depending on the signaling mode used to connect the clock driver chip and SerDes reference clock inputs, as described below:

- Differential Mode
 - The input amplitude of the differential clock must be between 400 mV and 1600 mV differential peak-peak (or between 200 mV and 800 mV differential peak). In other words, each signal wire of the differential pair must have a single-ended swing of less than 800 mV and greater than 200 mV. This requirement is the same for both external DC-coupled or AC-coupled connection.
 - For an external DC-coupled connection, as described in [Section 2.20.2.1 "SerDes Reference Clock Receiver Characteristics" on page 81](#), the maximum average current requirements sets the requirement for average voltage (common mode voltage) as between 100 mV and 400 mV. This figure shows the SerDes reference clock input requirement for DC-coupled connection scheme.

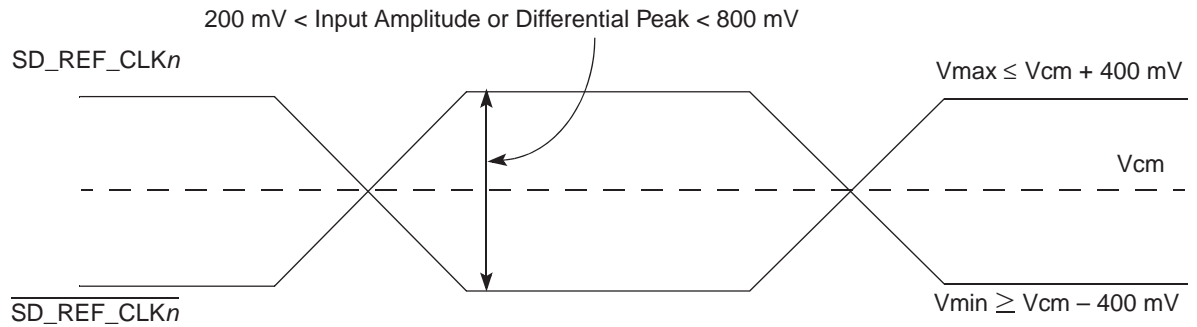
Figure 2-28. Differential Reference Clock Input DC Requirements (External DC-Coupled)



An Important Notice at the end of this datasheet addresses availability, warranty, changes, use in critical applications, intellectual property matters and other important disclaimers

- For an external AC-coupled connection, there is no common mode voltage requirement for the clock driver. Because the external AC-coupling capacitor blocks the DC level, the clock driver and the SerDes reference clock receiver operate in different common mode voltages. The SerDes reference clock receiver in this connection scheme has its common mode voltage set to SGND. Each signal wire of the differential inputs is allowed to swing below and above the common mode voltage (SGND). This figure shows the SerDes reference clock input requirement for AC-coupled connection scheme.

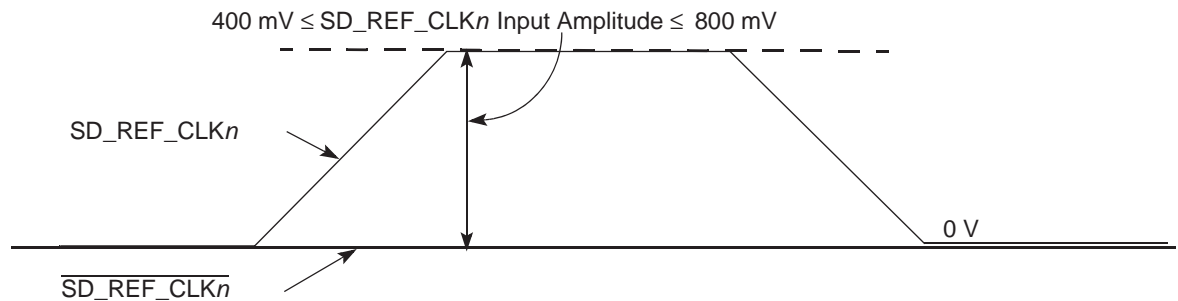
Figure 2-29. Differential Reference Clock Input DC Requirements (External AC-Coupled)



• Single-Ended Mode

- The reference clock can also be single-ended. The SD_REF_CLKn input amplitude (single-ended swing) must be between 400 mV and 800 mV peak-peak (from V_{MIN} to V_{MAX}) with SD_REF_CLKn either left unconnected or tied to ground.
- The SD_REF_CLKn input average voltage must be between 200 and 400 mV. Figure 2-30 shows the SerDes reference clock input requirement for single-ended signaling mode.
- To meet the input amplitude requirement, the reference clock inputs may need to be DC- or AC-coupled externally. For the best noise performance, the reference of the clock could be DC- or AC-coupled into the unused phase (SD_REF_CLKn) through the same source impedance as the clock input (SD_REF_CLKn) in use.

Figure 2-30. Single-Ended Reference Clock Input DC Requirements



2.20.2.3 AC Requirements for SerDes Reference Clocks

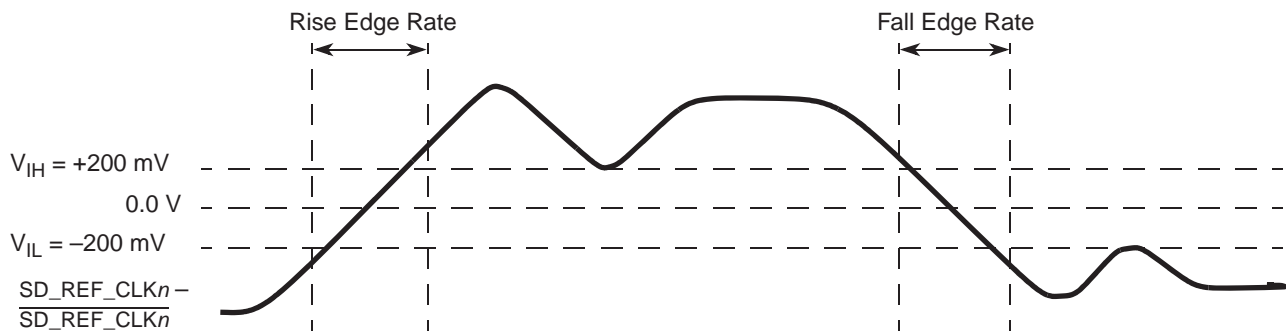
This table lists AC requirements for the PCI Express, SGMII, Serial RapidIO, SATA and Aurora SerDes reference clocks to be guaranteed by the customer's application design.

Table 2-61. $\overline{\text{SD_REF_CLK}}_n$ and SD_REF_CLK_n Input Clock Requirements ($\text{SV}_{\text{DD}} = 1.0 \text{ V}$) (For Recommended Operating Conditions, see [Table 2-2](#))

Parameter	Symbol	Min	Typ	Max	Unit	Note
$\overline{\text{SD_REF_CLK}}/\text{SD_REF_CLK}$ frequency range	$t_{\text{CLK_REF}}$	–	100/125/156.25	–	MHz	(1)
$\overline{\text{SD_REF_CLK}}/\text{SD_REF_CLK}$ clock frequency tolerance	$t_{\text{CLK_TOL}}$	–350	–	350	ppm	–
$\overline{\text{SD_REF_CLK}}/\text{SD_REF_CLK}$ reference clock duty cycle	$t_{\text{CLK_DUTY}}$	40	50	60	%	(4)
$\overline{\text{SD_REF_CLK}}/\text{SD_REF_CLK}$ max deterministic peak-peak jitter at 10^{-6} BER	$t_{\text{CLK_DJ}}$	–	–	42	ps	–
$\overline{\text{SD_REF_CLK}}/\text{SD_REF_CLK}$ total reference clock jitter at 10^{-6} BER (peak-to-peak jitter at refClk input)	$t_{\text{CLK_TJ}}$	–	–	86	ps	(2)
$\overline{\text{SD_REF_CLK}}/\text{SD_REF_CLK}$ rising/falling edge rate	$t_{\text{CLKRR}}/t_{\text{CLKFR}}$	1	–	4	V/ns	(3)
Differential input high voltage	V_{IH}	200	–	–	mV	(4)
Differential input low voltage	V_{IL}	–	–	–200	mV	(4)
Rising edge rate (SD_REF_CLK_n) to falling edge rate ($\overline{\text{SD_REF_CLK}}_n$) matching	Rise-Fall Matching	–	–	20	%	(5)(6)

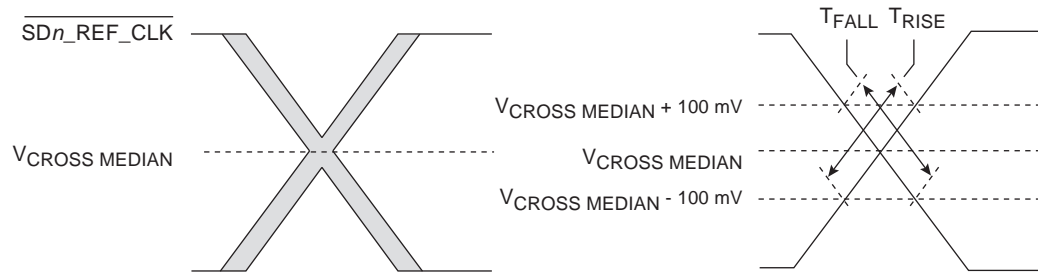
- Notes:
- Caution:** Only 100, 125 and 156.25 have been tested. In-between values do not work correctly with the rest of the system.
 - Limits from PCI Express CEM Rev 2.0
 - Measured from -200 mV to $+200 \text{ mV}$ on the differential waveform (derived from $\overline{\text{SD_REF_CLK}}_n$ minus SD_REF_CLK_n). The signal must be monotonic through the measurement region for rise and fall time. The 400 mV measurement window is centered on the differential zero crossing. See [Figure 2-31](#).
 - Measurement taken from differential waveform
 - Measurement taken from single-ended waveform
 - Matching applies to rising edge for SD_REF_CLK_n and falling edge rate for $\overline{\text{SD_REF_CLK}}_n$. It is measured using a 200 mV window centered on the median cross point where SD_REF_CLK_n rising meets $\overline{\text{SD_REF_CLK}}_n$ falling. The median cross point is used to calculate the voltage thresholds that the oscilloscope uses for the edge rate calculations. The rise edge rate of SD_REF_CLK_n must be compared to the fall edge rate of $\overline{\text{SD_REF_CLK}}_n$, the maximum allowed difference should not exceed 20% of the slowest edge rate. See [Figure 2-32](#).

Figure 2-31. Differential Measurement Points for Rise and Fall Time



An Important Notice at the end of this datasheet addresses availability, warranty, changes, use in critical applications, intellectual property matters and other important disclaimers

Figure 2-32. Single-Ended Measurement Points for Rise and Fall Time Matching



2.20.2.4 Spread Spectrum Clock

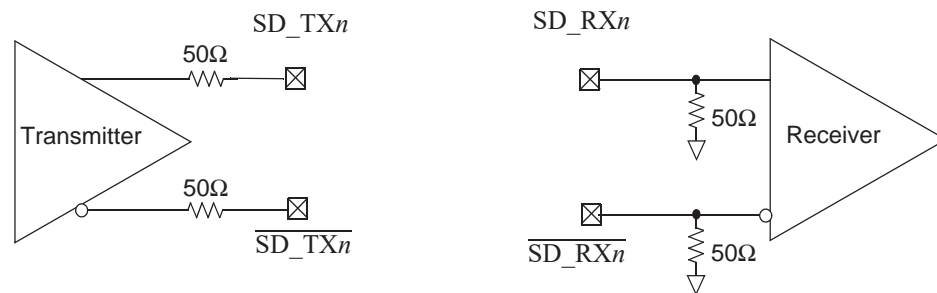
SD_REF_CLK1/SD_REF_CLK1 were designed to work with a spread spectrum clock (+0 to 0.5% spreading at 30–33 kHz rate is allowed), assuming both ends have same reference clock. For better results, a source without significant unintended modulation must be used.

SD_REF_CLK2/SD_REF_CLK2 were designed to work with a spread spectrum clock (+0 to 0.5% spreading at 30–33 kHz rate is allowed), assuming both ends have same reference clock and the industry protocol specifications supports it. For better results, a source without significant unintended modulation must be used.

2.20.3 SerDes Transmitter and Receiver Reference Circuits

This figure shows the reference circuits for SerDes data lane’s transmitter and receiver.

Figure 2-33. SerDes Transmitter and Receiver Reference Circuits



The DC and AC specification of SerDes data lanes are defined in each interface protocol section below based on the application usage:

- [Section 2.20.4 "PCI Express" on page 86](#)
- [Section 2.20.5 "Serial RapidIO \(sRIO\)" on page 93](#)
- [Section 2.20.6 "XAUI" on page 97](#)
- [Section 2.20.7 "Aurora" on page 99](#)
- [Section 2.20.8 "Serial ATA \(SATA\)" on page 101](#)
- [Section 2.20.9 "SGMII Interface" on page 105](#)

An Important Notice at the end of this datasheet addresses availability, warranty, changes, use in critical applications, intellectual property matters and other important disclaimers

2.20.4 PCI Express

This section describes the clocking dependencies, DC and AC electrical specifications for the PCI Express bus.

2.20.4.1 Clocking Dependencies

The ports on the two ends of a link must transmit data at a rate that is within 600 parts per million (ppm) of each other at all times. This is specified to allow bit rate clock sources with a ± 300 ppm tolerance.

2.20.4.2 PCI Express Clocking Requirements for $\overline{SD_REF_CLKn}$ and $\overline{SD_REF_CLKn}$

SerDes banks 1–2 ($\overline{SD_REF_CLK[1:2]}$ and $\overline{SD_REF_CLK[1:2]}$) may be used for various SerDes PCI Express configurations based on the RCW configuration field SRDS_PRTCL.

For more information on these specifications, see [Section 2.20.2 "SerDes Reference Clocks" on page 81](#).

2.20.4.3 PCI Express DC Physical Layer Specifications

This section contains the DC specifications for the physical layer of PCI Express on this device.

1. PCI Express DC Physical Layer Transmitter Specifications

This section discusses the PCI Express DC physical layer transmitter specifications for 2.5 GT/s and 5 GT/s.

This table defines the PCI Express 2.0 (2.5 GT/s) DC specifications for the differential output at all transmitters. The parameters are specified at the component pins.

Table 2-62. PCI Express 2.0 (2.5 GT/s) Differential Transmitter (Tx) Output DC Specifications ($XV_{DD} = 1.5\text{ V}$ or 1.8 V) (For Recommended Operating Conditions, see [Table 2-2](#))

Parameter	Symbol	Min	Typical	Max	Unit	Note
Differential peak-to-peak output voltage	$V_{TX-DIFFP-P}$	800	–	1200	mV	$V_{TX-DIFFP-P} = 2 \times V_{TX-D+} - V_{TX-D-} $ See note (1).
De-emphasized differential output voltage (ratio)	$V_{TX-DE-RATIO}$	3.0	3.5	4.0	dB	Ratio of the $V_{TX-DIFFP-P}$ of the second and following bits after a transition divided by the $V_{TX-DIFFP-P}$ of the first bit after a transition. See Note (1).
DC differential Tx impedance	$Z_{TX-DIFF-DC}$	80	100	120	Ω	Tx DC differential mode low Impedance
Transmitter DC impedance	Z_{TX-DC}	40	50	60	Ω	Required Tx D+ as well as D– DC Impedance during all states

Note: 1. Measured at the package pins with a test load of 50Ω to GND on each pin.

This table defines the PCI Express 2.0 (5 GT/s) DC specifications for the differential output at all transmitters. The parameters are specified at the component pins.

Table 2-63. PCI Express 2.0 (5 GT/s) Differential Transmitter (Tx) Output DC Specifications ($XV_{DD} = 1.5\text{ V}$ or 1.8 V) (For Recommended Operating Conditions, see [Table 2-2](#))

Parameter	Symbol	Min	Typical	Max	Unit	Note
Differential peak-to-peak output voltage	$V_{TX-DIFFP-P}$	800	–	1200	mV	$V_{TX-DIFFP-P} = 2 \times V_{TX-D+} - V_{TX-D-} $ See Note (1).
Low power differential peak-to-peak output voltage	$V_{TX-DIFFP-P_Low}$	400	500	1200	mV	$V_{TX-DIFFP-P} = 2 \times V_{TX-D+} - V_{TX-D-} $ See Note (1).
De-emphasized differential output voltage (ratio)	$V_{TX-DE-RATIO-3.5dB}$	3.0	3.5	4.0	dB	Ratio of the $V_{TX-DIFFP-P}$ of the second and following bits after a transition divided by the $V_{TX-DIFFP-P}$ of the first bit after a transition. See Note (1).
De-emphasized differential output voltage (ratio)	$V_{TX-DE-RATIO-6.0dB}$	5.5	6.0	6.5	dB	Ratio of the $V_{TX-DIFFP-P}$ of the second and following bits after a transition divided by the $V_{TX-DIFFP-P}$ of the first bit after a transition. See Note (1).
DC differential Tx impedance	$Z_{TX-DIFF-DC}$	80	100	120	Ω	Tx DC differential mode low impedance
Transmitter DC Impedance	Z_{TX-DC}	40	50	60	Ω	Required Tx D+ as well as D– DC impedance during all states

Note: 1. Measured at the package pins with a test load of 50Ω to GND on each pin.

2.20.4.4 PCI Express DC Physical Layer Receiver Specifications

This section discusses the PCI Express DC physical layer receiver specifications 2.5 GT/s, and 5 GT/s.

This table defines the DC specifications for the PCI Express 2.0 (2.5 GT/s) differential input at all receivers. The parameters are specified at the component pins.

Table 2-64. PCI Express 2.0 (2.5 GT/s) Differential Receiver (Rx) Input DC Specifications ($XV_{DD} = 1.5\text{ V}$ or 1.8 V) (For Recommended Operating Conditions, see [Table 2-2](#))

Parameter	Symbol	Min	Typical	Max	Unit	Note
Differential input peak-to-peak voltage	$V_{RX-DIFFP-P}$	120	–	1200	mV	$V_{RX-DIFFP-P} = 2 \times V_{RX-D+} - V_{RX-D-} $ Note (1).
DC differential input impedance	$Z_{RX-DIFF-DC}$	80	100	120	Ω	Rx DC differential mode impedance. See Note (2)
DC input impedance	Z_{RX-DC}	40	50	60	Ω	Required Rx D+ as well as D– DC Impedance ($50 \pm 20\%$ tolerance). See Notes (1) and (2).
Powered down DC input impedance	$Z_{RX-HIGH-IMP-DC}$	50 k	–	–	Ω	Required Rx D+ as well as D– DC Impedance when the receiver terminations do not have power. See Note (3).
Electrical idle detect threshold	$V_{RX-IDLE-DET-DIFFP-P}$	65	–	175	mV	$V_{RX-IDLE-DET-DIFFP-P} = 2 \times V_{RX-D+} - V_{RX-D-} $ Measured at the package pins of the receiver

Notes: 1. Measured at the package pins with a test load of 50Ω to GND on each pin.

- Impedance during all LTSSM states. When transitioning from a fundamental reset to detect (the initial state of the LTSSM) there is a 5 ms transition time before receiver termination values must be met on all unconfigured lanes of a port.
- The Rx DC common mode impedance that exists when no power is present or fundamental reset is asserted. This helps ensure that the receiver detect circuit does not falsely assume a receiver is powered on when it is not. This term must be measured at 300 mV above the Rx ground.

An Important Notice at the end of this datasheet addresses availability, warranty, changes, use in critical applications, intellectual property matters and other important disclaimers

This table defines the DC specifications for the PCI Express 2.0 (5 GT/s) differential input at all receivers. The parameters are specified at the component pins.

Table 2-65. PCI Express 2.0 (5 GT/s) Differential Receiver (Rx) Input DC Specifications ($XV_{DD} = 1.5\text{ V}$ or 1.8 V) (For Recommended Operating Conditions, see [Table 2-2](#))

Parameter	Symbol	Min	Typical	Max	Unit	Note
Differential input peak-to-peak voltage	$V_{RX-DIFFp-p}$	120	–	1200	V	$V_{RX-DIFFp-p} = 2 \times V_{RX-D+} - V_{RX-D-} $ See Note ⁽¹⁾ .
DC differential input impedance	$Z_{RX-DIFF-DC}$	80	100	120	Ω	Rx DC Differential mode impedance. See Note ⁽²⁾ .
DC input impedance	Z_{RX-DC}	40	50	60	Ω	Required Rx D+ as well as D– DC Impedance (50 \pm 20% tolerance). See Notes ⁽¹⁾ and ⁽²⁾ .
Powered down DC input impedance	$Z_{RX-HIGH-IMP-DC}$	50	–	–	k Ω	Required Rx D+ as well as D– DC Impedance when the Receiver terminations do not have power. See Note ⁽³⁾ .
Electrical idle detect threshold	$V_{RX-IDLE-DET-DIFFp-p}$	65	–	175	mV	$V_{RX-IDLE-DET-DIFFp-p} = 2 \times V_{RX-D+} - V_{RX-D-} $ Measured at the package pins of the receiver

- Notes:
1. Measured at the package pins with a test load of 50 Ω to GND on each pin.
 2. Impedance during all LTSSM states. When transitioning from a fundamental reset to detect (the initial state of the LTSSM) there is a 5 ms transition time before receiver termination values must be met on all unconfigured lanes of a port.
 3. The Rx DC common mode impedance that exists when no power is present or fundamental reset is asserted. This helps ensure that the receiver detect circuit does not falsely assume a receiver is powered on when it is not. This term must be measured at 300 mV above the Rx ground.

2.20.4.5 PCI Express AC Physical Layer Specifications

This section contains the DC specifications for the physical layer of PCI Express on this device.

1. PCI Express AC Physical Layer Transmitter Specifications

This section discusses the PCI Express AC physical layer transmitter specifications 2.5 GT/s and 5 GT/s.

This table defines the PCI Express 2.0 (2.5 GT/s) AC specifications for the differential output at all transmitters. The parameters are specified at the component pins. The AC timing specifications do not include RefClk jitter.

Table 2-66. PCI Express 2.0 (2.5 GT/s) Differential Transmitter (Tx) Output AC Specifications (For Recommended Operating Conditions, see [Table 2-2](#))

Parameter	Symbol	Min	Typical	Max	Unit	Note
Unit interval	UI	399.88	400	400.12	ps	Each UI is 400 ps \pm 300 ppm. UI does not account for spread spectrum clock dictated variations. See note ⁽¹⁾ .
Minimum Tx eye width	T_{TX-EYE}	0.75	–	–	UI	The maximum transmitter jitter can be derived as $T_{TX-MAX-JITTER} = 1 - T_{TX-EYE} = 0.25$ UI. Does not include spread spectrum or RefCLK jitter. Includes device random jitter at 10^{-12} . See notes ⁽²⁾ and ⁽³⁾ .
Maximum time between the jitter median and maximum deviation from the median	$T_{TX-EYE-MEDIAN-to-MAX-JITTER}$	–	–	0.125	UI	Jitter is defined as the measurement variation of the crossing points ($V_{TX-DIFFp-p} = 0$ V) in relation to a recovered Tx UI. A recovered Tx UI is calculated over 3500 consecutive unit intervals of sample data. Jitter is measured using all edges of the 250 consecutive UI in the center of the 3500 UI used for calculating the Tx UI. See notes ⁽²⁾ and ⁽³⁾ .
AC coupling capacitor	C_{TX}	75	–	200	nF	All transmitters must be AC coupled. The AC coupling is required either within the media or within the transmitting component itself. See note ⁽⁴⁾ .

- Notes:
1. No test load is necessarily associated with this value.
 2. Specified at the measurement point into a timing and voltage test load as shown in [Figure 2-34](#) and measured over any 250 consecutive Tx UIs.
 3. A $T_{TX-EYE} = 0.75$ UI provides for a total sum of deterministic and random jitter budget of $T_{TX-JITTER-MAX} = 0.25$ UI for the transmitter collected over any 250 consecutive Tx UIs. The $T_{TX-EYE-MEDIAN-to-MAX-JITTER}$ median is less than half of the total Tx jitter budget collected over any 250 consecutive Tx UIs. It must be noted that the median is not the same as the mean. The jitter median describes the point in time where the number of jitter points on either side is approximately equal as opposed to the averaged time value.
 4. The chip's SerDes transmitter does not have C_{TX} built-in. An external AC coupling capacitor is required.

This table defines the PCI Express 2.0 (5 GT/s) AC specifications for the differential output at all transmitters. The parameters are specified at the component pins. The AC timing specifications do not include RefClk jitter.

Table 2-67. PCI Express 2.0 (5 GT/s) Differential Transmitter (Tx) Output AC Specifications (For Recommended Operating Conditions, see [Table 2-2](#))

Parameter	Symbol	Min	Typical	Max	Unit	Note
Unit interval	UI	199.94	200.00	200.06	ps	Each UI is 400 ps ± 300 ppm. UI does not account for spread spectrum clock dictated variations. See note ⁽¹⁾ .
Minimum Tx eye width	T_{TX-EYE}	0.75	–	–	UI	The maximum transmitter jitter can be derived as: $T_{TX-MAX-JITTER} = 1 - T_{TX-EYE} = 0.25$ UI. See Notes ⁽²⁾ and ⁽³⁾ .
Tx RMS deterministic jitter > 1.5 MHz	$T_{TX-HF-DJ-DD}$	–	–	0.15	ps	–
Tx RMS deterministic jitter < 1.5 MHz	$T_{TX-LF-RMS}$	–	3.0	–	ps	Reference input clock RMS jitter (< 1.5 MHz) at pin < 1 ps
AC coupling capacitor	C_{TX}	75	–	200	nF	All transmitters must be AC coupled. The AC coupling is required either within the media or within the transmitting component itself. See note ⁽⁴⁾ .

- Notes:
1. No test load is necessarily associated with this value.
 2. Specified at the measurement point into a timing and voltage test load as shown in [Figure 2-34](#) and measured over any 250 consecutive Tx UIs.
 3. A $T_{TX-EYE} = 0.75$ UI provides for a total sum of deterministic and random jitter budget of $T_{TX-JITTER-MAX} = 0.25$ UI for the Transmitter collected over any 250 consecutive Tx UIs. The $T_{TX-EYE-MEDIAN-to-MAX-JITTER}$ median is less than half of the total Tx jitter budget collected over any 250 consecutive Tx UIs. It must be noted that the median is not the same as the mean. The jitter median describes the point in time where the number of jitter points on either side is approximately equal as opposed to the averaged time value.
 4. The chip's SerDes transmitter does not have C_{TX} built-in. An external AC coupling capacitor is required.

2. PCI Express AC Physical Layer Receiver Specifications

This section discusses the PCI Express AC physical layer receiver specifications 2.5 GT/s and 5 GT/s.

This table defines the AC specifications for the PCI Express 2.0 (2.5 GT/s) differential input at all receivers. The parameters are specified at the component pins. The AC timing specifications do not include RefClk jitter.

Table 2-68. PCI Express 2.0 (2.5 GT/s) Differential Receiver (Rx) Input AC Specifications (For Recommended Operating Conditions, see [Table 2-2](#))

Parameter	Symbol	Min	Typical	Max	Unit	Note
Unit Interval	UI	399.88	400.00	400.12	ps	Each UI is 400 ps \pm 300 ppm. UI does not account for spread spectrum clock dictated variations. See note (1).
Minimum receiver eye width	T_{RX-EYE}	0.4	–	–	UI	The maximum interconnect media and Transmitter jitter that can be tolerated by the Receiver can be derived as $T_{RX-MAX-JITTER} = 1 - T_{RX-EYE} = 0.6$ UI. See Notes (2) and (3).
Maximum time between the jitter median and maximum deviation from the median.	$T_{RX-EYE-MEDIAN-to-MAX-JITTER}$	–	–	0.3	UI	Jitter is defined as the measurement variation of the crossing points ($V_{RX-DIFFp-p} = 0$ V) in relation to a recovered Tx UI. A recovered Tx UI is calculated over 3500 consecutive unit intervals of sample data. Jitter is measured using all edges of the 250 consecutive UI in the center of the 3500 UI used for calculating the Tx UI. See Notes (2) (3) and (4).

- Notes:
1. No test load is necessarily associated with this value.
 2. Specified at the measurement point and measured over any 250 consecutive UIs. The test load in [Figure 2-34](#) must be used as the Rx device when taking measurements. If the clocks to the Rx and Tx are not derived from the same reference clock, the Tx UI recovered from 3500 consecutive UI must be used as a reference for the eye diagram.
 3. A $T_{RX-EYE} = 0.40$ UI provides for a total sum of 0.60 UI deterministic and random jitter budget for the transmitter and interconnect collected any 250 consecutive UIs. The TRX-EYE-MEDIAN-to-MAX-JITTER specification ensures a jitter distribution in which the median and the maximum deviation from the median is less than half of the total. UI jitter budget collected over any 250 consecutive Tx UIs. It must be noted that the median is not the same as the mean. The jitter median describes the point in time where the number of jitter points on either side is approximately equal as opposed to the averaged time value. If the clocks to the Rx and Tx are not derived from the same reference clock, the Tx UI recovered from 3500 consecutive UI must be used as the reference for the eye diagram.
 4. It is recommended that the recovered Tx UI is calculated using all edges in the 3500 consecutive UI interval with a fit algorithm using a minimization merit function. Least squares and median deviation fits have worked well with experimental and simulated data.

This table defines the AC specifications for the PCI Express 2.0 (5 GT/s) differential input at all receivers. The parameters are specified at the component pins. The AC timing specifications do not include RefClk jitter.

Table 2-69. PCI Express 2.0 (5 GT/s) Differential Receiver (Rx) Input AC Specifications (For Recommended Operating Conditions, see [Table 2-2](#))

Parameter	Symbol	Min	Typ	Max	Unit	Note
Unit Interval	UI	199.40	200.00	200.06	ps	Each UI is 400 ps \pm 300 ppm. UI does not account for spread spectrum clock dictated variations. See note ⁽¹⁾ .
Max Rx inherent timing error	$T_{RX-TJ-CC}$	–	–	0.4	UI	The maximum inherent total timing error for common RefClk Rx architecture
Maximum time between the jitter median and maximum deviation from the median	$T_{RX-TJ-DC}$	–	–	0.34	UI	Max Rx inherent total timing error
Max Rx inherent deterministic timing error	$T_{RX-DJ-DD-CC}$	–	–	0.30	UI	The maximum inherent deterministic timing error for common RefClk Rx architecture
Max Rx inherent deterministic timing error	$T_{RX-DJ-DD-DC}$	–	–	0.24	UI	The maximum inherent deterministic timing error for common RefClk Rx architecture

Note: 1. No test load is necessarily associated with this value.

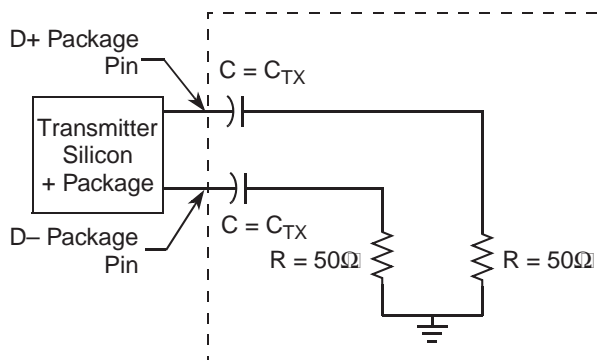
2.20.4.6 Test and Measurement Load

The AC timing and voltage parameters must be verified at the measurement point. The package pins of the device must be connected to the test/measurement load within 0.2 inches of that load, as shown in this figure.

NOTE

The allowance of the measurement point to be within 0.2 inches of the package pins is meant to acknowledge that package/board routing may benefit from D+ and D– not being exactly matched in length at the package pin boundary. If the vendor does not explicitly state where the measurement point is located, the measurement point is assumed to be the D+ and D– package pins.

Figure 2-34. Test/Measurement Load



2.20.5 Serial RapidIO (sRIO)

This section describes the DC and AC electrical specifications for the Serial RapidIO interface of the LP-Serial physical layer. The electrical specifications cover both single and multiple-lane links. Two transmitters (short run and long run) and a single receiver are specified for each of three baud rates: 2.50, 3.125, and 5 GBaud.

Two transmitter specifications allow for solutions ranging from simple board-to-board interconnect to driving two connectors across a backplane. A single receiver specification is given that accepts signals from both the short run and long run transmitter specifications.

The short run transmitter must be used mainly for chip-to-chip connections on either the same printed circuit board or across a single connector. This covers the case where connections are made to a mezzanine (daughter) card. The minimum swings of the short run specification reduce the overall power used by the transceivers.

The long run transmitter specifications use larger voltage swings that are capable of driving signals across backplanes. This allows a user to drive signals across two connectors and a backplane. The specifications allow a distance of at least 50 cm at all baud rates.

All unit intervals are specified with a tolerance of ± 100 ppm. The worst case frequency difference between any transmit and receive clock is 200 ppm.

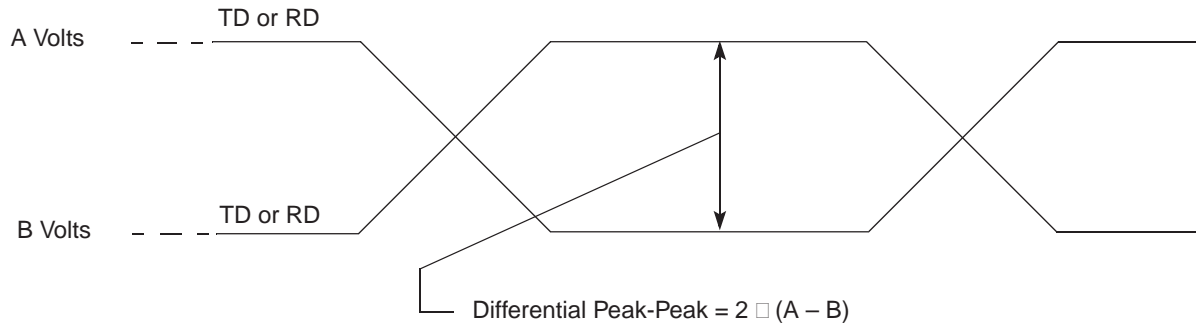
To ensure interoperability between drivers and receivers of different vendors and technologies, AC coupling at the receiver input must be used.

2.20.5.1 Signal Definitions

This section defines the terms used in the description and specification of the differential signals used by the LP-Serial links. This figure shows how the signals are defined. The figures show waveforms for either a transmitter output (TD and $\overline{\text{TD}}$) or a receiver input (RD and $\overline{\text{RD}}$). Each signal swings between A volts and B volts where $A > B$. Using these waveforms, the definitions are as follows:

- The transmitter output signals and the receiver input signals: TD, $\overline{\text{TD}}$, RD, and $\overline{\text{RD}}$: each have a peak-to-peak swing of $A - B$ volts.
- The differential output signal of the transmitter, V_{OD} , is defined as $V_{\text{TD}} - V_{\overline{\text{TD}}}$
- The differential input signal of the receiver, V_{ID} , is defined as $V_{\text{RD}} - V_{\overline{\text{RD}}}$
- The differential output signal of the transmitter and the differential input signal of the receiver each range from $A - B$ to $-(A - B)$ volts
- The peak value of the differential transmitter output signal and the differential receiver input signal is $A - B$ volts.
- The peak-to-peak value of the differential transmitter output signal and the differential receiver input signal is $2 \times (A - B)$ volts.

Figure 2-35. Differential Peak-Peak Voltage of Transmitter or Receiver



To illustrate these definitions using real values, consider the case of a CML (current mode logic) transmitter that has a common mode voltage of 2.25 V, and each of its outputs, TD and $\overline{\text{TD}}$, has a swing that goes between 2.5 V and 2.0 V. Using these values, the peak-to-peak voltage swing of the signals TD and $\overline{\text{TD}}$ is 500 mV p-p. The differential output signal ranges between 500 mV and -500 mV. The peak differential voltage is 500 mV. The peak-to-peak differential voltage is 1000 mV p-p.

2.20.5.2 Equalization

With the use of high-speed serial links, the interconnect media causes degradation of the signal at the receiver and produces effects such as inter-symbol interference (ISI) or data-dependent jitter. This loss can be large enough to degrade the eye opening at the receiver beyond what is allowed in the specification. To negate a portion of these effects, equalization can be used. The most common equalization techniques that can be used are as follows:

- Pre-emphasis on the transmitter
- A passive high-pass filter network placed at the receiver, often referred to as passive equalization.
- The use of active circuits in the receiver, often referred to as adaptive equalization.

2.20.5.3 Serial RapidIO Clocking Requirements for $\overline{\text{SD_REF_CLKn}}$ and SD_REF_CLKn

SerDes bank 1 ($\overline{\text{SD_REF_CLK1}}$ and SD_REF_CLK1) may be used for various SerDes Serial RapidIO configurations based on the RCW configuration field SRDS_PRTCL. Serial RapidIO is not supported on SerDes banks 2.

For more information on these specifications, see [Section 2.20.2 "SerDes Reference Clocks" on page 81](#).

2.20.5.4 DC Requirements for Serial RapidIO

This section explains the DC requirements for the Serial RapidIO interface.

1. DC Serial RapidIO Timing Transmitter Specifications

LP-Serial transmitter electrical and timing specifications are stated in the text and tables of this section. The differential return loss, S11, of the transmitter in each case is better than the following:

- 10 dB for (Baud Frequency) \div 10 < Freq(f) < 625 MHz
- 10 dB + 10log(f \div 625 MHz) dB for 625 MHz \leq Freq(f) \leq Baud Frequency

The reference impedance for the differential return loss measurements is 100 Ω resistive. Differential return loss includes contributions from on-chip circuitry, chip packaging, and any off-chip components related to the driver. The output impedance requirement applies to all valid output levels.

An Important Notice at the end of this datasheet addresses availability, warranty, changes, use in critical applications, intellectual property matters and other important disclaimers

It is recommended that the 20%–80% rise/fall time of the transmitter, as measured at the transmitter output, have a minimum value 60 ps in each case.

It is recommended that the timing skew at the output of an LP-Serial transmitter between the two signals that comprise a differential pair not exceed 20 ps at 2.50 GBaud and 15 ps at 3.125 GBaud and XX ps at 5 GBaud.

This table defines the transmitter DC specifications for Serial RapidIO operating at $XV_{DD} = 1.5\text{ V}$ or 1.8 V .

Table 2-70. Serial RapidIO Transmitter DC Timing Specifications: 2.5 GBaud, 3.125 GBaud, 5 GBaud (For Recommended Operating Conditions, see [Table 2-2](#))

Parameter	Symbol	Min	Typ	Max	Unit	Note
Output voltage	V_O	-0.40	–	2.30	V	(1)
Long-run differential output voltage	V_{DIFFPP}	800	–	1600	mV p-p	–
Short-run differential output voltage	V_{DIFFPP}	500	–	1000	mV p-p	–

Note: 1. Voltage relative to COMMON of either signal comprising a differential pair.

2. DC Serial RapidIO Receiver Specifications

LP-Serial receiver electrical and timing specifications are stated in the text and tables of this section.

Receiver input impedance results in a differential return loss better than 10 dB and a common mode return loss better than 6 dB from 100 MHz to $(0.8) \times (\text{Baud Frequency})$. This includes contributions from on-chip circuitry, the chip package, and any off-chip components related to the receiver. AC coupling components are included in this requirement. The reference impedance for return loss measurements is 100Ω resistive for differential return loss and 25Ω resistive for common mode.

This table defines the receiver DC specifications for Serial RapidIO operating at $XV_{DD} = 1.5\text{ V}$ or 1.8 V .

Table 2-71. Serial RapidIO Receiver DC Timing Specifications: 2.5 GBaud, 3.125 GBaud, 5 GBaud (For Recommended Operating Conditions, see [Table 2-2](#))

Parameter	Symbol	Min	Typ	Max	Unit	Note
Differential input voltage	V_{IN}	200	–	1600	mV p-p	(1)

Note: 1. Measured at the receiver.

2.20.5.5 AC Requirements for Serial RapidIO

This section explains the AC requirements for the Serial RapidIO interface.

1. AC Requirements for Serial RapidIO Transmitter

This table defines the transmitter AC specifications for the Serial RapidIO interface. The AC timing specifications do not include RefClk jitter.

Table 2-72. Serial RapidIO Transmitter AC Timing Specifications (For Recommended Operating Conditions, see [Table 2-2](#))

Parameter	Symbol	Min	Typical	Max	Unit
Deterministic jitter	J_D	–	–	0.17	UI p-p
Total jitter	J_T	–	–	0.35	UI p-p
Unit interval: 2.5 GBaud	UI	400 – 100 ppm	400	400 + 100 ppm	ps
Unit interval: 3.125 GBaud	UI	320 – 100 ppm	320	320 + 100 ppm	ps

This table defines the receiver AC specifications for Serial RapidIO. The AC timing specifications do not include RefClk jitter.

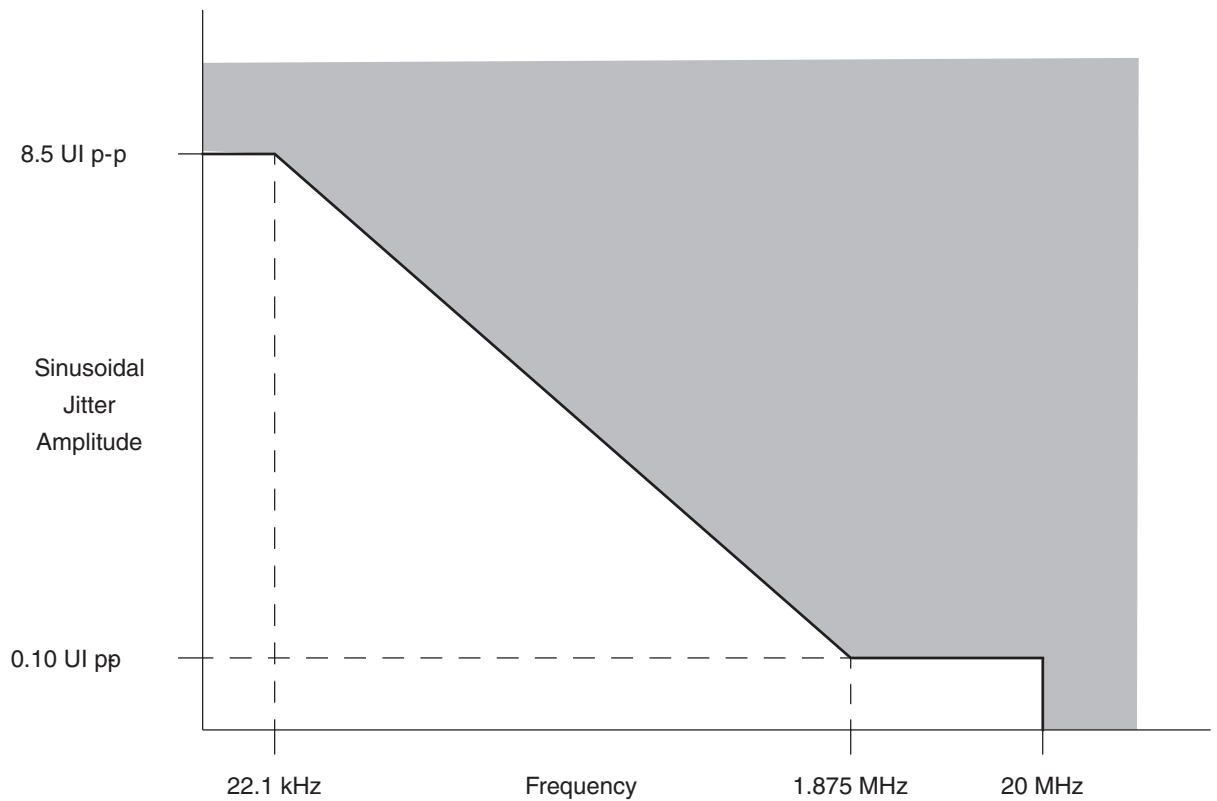
Table 2-73. Serial RapidIO Receiver AC Timing Specifications (For Recommended Operating Conditions, see [Table 2-2](#))

Parameter	Symbol	Min	Typical	Max	Unit	Note
Deterministic jitter tolerance	J_D	0.37	–	–	UI p-p	(1)
Combined deterministic and random jitter tolerance	J_{DR}	0.55	–	–	UI p-p	(1)
Total jitter tolerance ²	J_T	0.65	–	–	UI p-p	(1)
Bit error rate	BER	–	–	10^{-12}	–	–
Unit interval: 2.5 GBaud	UI	400 – 100 ppm	400	400 + 100 ppm	ps	–
Unit interval: 3.125 GBaud	UI	320 – 100 ppm	320	320 + 100 ppm	ps	–

Notes: 1. Measured at receiver

- Total jitter is composed of three components: deterministic jitter, random jitter, and single frequency sinusoidal jitter. The sinusoidal jitter may have any amplitude and frequency in the unshaded region of [Figure 2-36](#). The sinusoidal jitter component is included to ensure margin for low-frequency jitter, wander, noise, crosstalk, and other variable system effects.

Figure 2-36. Single-Frequency Sinusoidal Jitter Limits



2.20.6 XAUI

This section describes the DC and AC electrical specifications for the XAUI bus.

2.20.6.1 XAUI DC Electrical Characteristics

This section discusses the XAUI DC electrical characteristics for the clocking signals, transmitter, and receiver.

1. DC Requirements for XAUI $\overline{\text{SD_REF_CLK}}_n$ and SD_REF_CLK_n

Only SerDes banks 2-3 ($\text{SD_REF_CLK}[2:3]$ and $\overline{\text{SD_REF_CLK}}[2:3]$) may be used for various SerDes XAUI configurations based on the RCW Configuration field SRDS_PRTCL. XAUI is not supported on SerDes bank 1.

For more information on these specifications, see [Section 2.20.2.2 "DC Level Requirement for SerDes Reference Clocks" on page 82](#).

2. XAUI Transmitter DC Electrical Characteristics

This table defines the XAUI transmitter DC electrical characteristics.

Table 2-74. XAUI Transmitter DC Electrical Characteristics ($XV_{DD} = 1.5 \text{ V}$ or 1.8 V) (For Recommended Operating Conditions, see [Table 2-2](#))

Parameter	Symbol	Min	Typical	Max	Unit	Note
Output voltage	V_O	-0.40	-	2.30	V	(1)
Differential output voltage	V_{DIFFPP}	800	-	1600	mV p-p	-

Note: 1. Absolute output voltage limit

An Important Notice at the end of this datasheet addresses availability, warranty, changes, use in critical applications, intellectual property matters and other important disclaimers

3. XAUI Receiver DC Electrical Characteristics

This table defines the XAUI receiver DC electrical characteristics.

Table 2-75. XAUI Receiver DC Timing Specifications ($V_{DD} = 1.5\text{ V}$ or 1.8 V) (For Recommended Operating Conditions, see [Table 2-2](#))

Parameter	Symbol	Min	Typical	Max	Unit	Note
Differential input voltage	V_{IN}	200	900	1600	mV p-p	(1)

Note: 1. Measured at the receiver.

2.20.6.2 XAUI AC Timing Specifications

This section discusses the XAUI AC timing specifications for the clocking signals, transmitter, and receiver.

1. AC Requirements for XAUI $\overline{SD_REF_CLKn}$ and $\overline{SD_REF_CLKn}$

This table specifies AC requirements for $\overline{SD_REF_CLKn}$ and $\overline{SD_REF_CLKn}$, where $n = [2:3]$. Only SerDes banks 2-3 may be used for various SerDes XAUI configurations based on the RCW Configuration field SRDS_PRTCL. XAUI is not supported on SerDes bank 1.

Table 2-76. XAUI AC $\overline{SD_REF_CLKn}$ and $\overline{SD_REF_CLKn}$ Input Clock Requirements ($V_{DD} = 1.0\text{ V}$) (For Recommended Operating Conditions, see [Table 2-2](#))

Parameter	Symbol	Min	Typical	Max	Unit	Note
$\overline{SD_REF_CLK}/\overline{SD_REF_CLK}$ frequency range	t_{CLK_REF}	–	125/ 156.25	–	MHz	–
$\overline{SD_REF_CLK}/\overline{SD_REF_CLK}$ clock frequency tolerance	t_{CLK_TOL}	–100	–	+100	ppm	–
$\overline{SD_REF_CLK}/\overline{SD_REF_CLK}$ reference clock duty cycle (measured at 1.6 V)	t_{CLK_DUTY}	40	50	60	%	–
$\overline{SD_REF_CLK}/\overline{SD_REF_CLK}$ cycle to cycle jitter (period jitter at refClk input)	t_{CLK_CJ}	–	–	100	ps	–
$\overline{SD_REF_CLK}/\overline{SD_REF_CLK}$ total reference clock jitter (peak-to-peak phase jitter at refClk input)	t_{CLK_PJ}	–50	–	50	ps	–
$\overline{SD_REF_CLK}/\overline{SD_REF_CLK}$ rising/falling edge rate	t_{CLKRR}/t_{CLKFR}	1	–	4	V/ns	1
Differential input high voltage	V_{IH}	200	–	–	mV	2
Differential input low voltage	V_{IL}	–	–	–200	mV	2
Rising edge rate ($\overline{SD_REF_CLKn}$) to falling edge rate ($\overline{SD_REF_CLKn}$) matching	Rise-Fall Matching	–	–	20	%	3, 4

- Notes:
1. Measured from –200 mV to +200 mV on the differential waveform (derived from $\overline{SD_REF_CLKn}$ minus $\overline{SD_REF_CLKn}$). The signal must be monotonic through the measurement region for rise and fall time. The 400 mV measurement window is centered on the differential zero crossing. See [Figure 2-31](#).
 2. Measurement taken from differential waveform
 3. Measurement taken from single-ended waveform
 4. Matching applies to rising edge for $\overline{SD_REF_CLKn}$ and falling edge rate for $\overline{SD_REF_CLKn}$. It is measured using a 200 mV window centered on the median cross point where $\overline{SD_REF_CLKn}$ rising meets $\overline{SD_REF_CLKn}$ falling. The median cross point is used to calculate the voltage thresholds that the oscilloscope uses for the edge rate calculations. The rise edge rate of $\overline{SD_REF_CLKn}$ must be compared to the fall edge rate of $\overline{SD_REF_CLKn}$, the maximum allowed difference should not exceed 20% of the slowest edge rate. See [Figure 2-32](#).

An Important Notice at the end of this datasheet addresses availability, warranty, changes, use in critical applications, intellectual property matters and other important disclaimers

2. XAUI Transmitter AC Timing Specifications

This table defines the XAUI transmitter AC timing specifications. RefClk jitter is not included.

Table 2-77. XAUI Transmitter AC Timing Specifications (For Recommended Operating Conditions, see [Table 2-2](#))

Parameter	Symbol	Min	Typical	Max	Unit	Note
Deterministic jitter	J_D	–	–	0.17	UI p-p	–
Total jitter	J_T	–	–	0.35	UI p-p	–
Unit Interval: 3.125 GBaud	UI	320 – 100 ppm	320	320 + 100 ppm	ps	–

3. XAUI Receiver AC Timing Specifications

This table defines the receiver AC specifications for XAUI. RefClk jitter is not included.

Table 2-78. XAUI Receiver AC Timing Specifications (For Recommended Operating Conditions, see [Table 2-2](#))

Parameter	Symbol	Min	Typical	Max	Unit	Note
Deterministic jitter tolerance	J_D	0.37	–	–	UI p-p	(1)
Combined deterministic and random jitter tolerance	J_{DR}	0.55	–	–	UI p-p	(1)
Total jitter tolerance	J_T	0.65	–	–	UI p-p	(1)(2)
Bit error rate	BER	–	–	10^{-12}	–	–
Unit Interval: 3.125 GBaud	UI	320 – 100 ppm	320	320 + 100 ppm	ps	–

Notes: 1. Measured at receiver

2. Total jitter is composed of three components: deterministic jitter, random jitter, and single frequency sinusoidal jitter. The sinusoidal jitter may have any amplitude and frequency in the unshaded region of [Figure 2-36](#). The sinusoidal jitter component is included to ensure margin for low frequency jitter, wander, noise, crosstalk, and other variable system effects.

2.20.7 Aurora

This section describes the Aurora clocking requirements and AC and DC electrical characteristics.

2.20.7.1 Aurora DC Electrical Characteristics

This section describes the DC electrical characteristics for Aurora.

1. Aurora DC Clocking Requirements for $\overline{SD_REF_CLKn}$ and $\overline{SD_REF_CLKn}$

Only SerDes bank 2 ($\overline{SD_REF_CLK2}$ and $\overline{SD_REF_CLK2}$) may be used for SerDes Aurora configurations based on the RCW configuration field SRDS_PRTCL. Aurora is not supported on SerDes banks 1.

For more information on these specifications, see [Section 2.20.2 "SerDes Reference Clocks" on page 81](#).

2. Aurora Transmitter DC Electrical Characteristics

This table provides the Aurora transmitter DC electrical characteristics ($XV_{DD} = 1.5\text{ V}$ or 1.8 V).

Table 2-79. Aurora Transmitter DC Electrical Characteristics ($XV_{DD} = 1.5\text{ V}$ or 1.8 V) (For Recommended Operating Conditions, see [Table 2-2](#))

Parameter	Symbol	Min	Typical	Max	Unit
Differential output voltage	V_{DIFFPP}	800	–	1600	mV p-p

3. Aurora Receiver DC Electrical Characteristics

This table provides the Aurora receiver DC electrical characteristics ($XV_{DD} = 1.5\text{ V}$ or 1.8 V).

Table 2-80. Aurora Receiver DC Electrical Characteristics ($XV_{DD} = 1.5\text{ V}$ or 1.8 V) (For Recommended Operating Conditions, see [Table 2-2](#))

Parameter	Symbol	Min	Typical	Max	Unit	Note
Differential input voltage	V_{IN}	120	900	1200	mV p-p	(1)

Note: 1. Measured at receiver.

2.20.7.2 *Aurora AC Timing Specifications*

This section describes the AC timing specifications for Aurora.

1. Aurora AC Clocking Requirements for $\overline{SD_REF_CLKn}$ and $\overline{SD_REF_CLKn}$

Only SerDes bank 2 ($\overline{SD_REF_CLK2}$ and $\overline{SD_REF_CLK2}$) may be used for SerDes Aurora configurations based on the RCW configuration field SRDS_PRTCL. Aurora is not supported on SerDes banks 1.

2. Aurora Transmitter AC Timing Specifications

This table defines the Aurora transmitter AC timing specifications. RefClk jitter is not included.

Table 2-81. Aurora Transmitter AC Timing Specifications (For Recommended Operating Conditions, see [Table 2-2](#))

Parameter	Symbol	Min	Typical	Max	Unit
Deterministic jitter	J_D	–	–	0.17	UI p-p
Total jitter	J_T	–	–	0.35	UI p-p
Unit Interval: 2.5 GBaud	UI	400 – 100 ppm	400	400 + 100 ppm	ps
Unit Interval: 3.125 GBaud	UI	320 – 100 ppm	320	320 + 100 ppm	ps
Unit Interval: 5.0 GBaud	UI	200 – 100 ppm	200	200 + 100 ppm	ps

An Important Notice at the end of this datasheet addresses availability, warranty, changes, use in critical applications, intellectual property matters and other important disclaimers

3. Aurora Receiver AC Timing Specifications

This table defines the Aurora receiver AC timing specifications. RefClk jitter is not included.

Table 2-82. Aurora Receiver AC Timing Specifications (For Recommended Operating Conditions, see [Table 2-2](#))

Parameter	Symbol	Min	Typical	Max	Unit	Note
Deterministic jitter tolerance	J_D	0.37	–	–	UI p-p	(1)
Combined deterministic and random jitter tolerance	J_{DR}	0.55	–	–	UI p-p	(1)
Total jitter tolerance	J_T	0.65	–	–	UI p-p	(1)(2)
Bit error rate	BER	–	–	10–12	–	–
Unit Interval: 2.5 GBaud	UI	400 – 100 ppm	400	400 + 100 ppm	ps	–
Unit Interval: 3.125 GBaud	UI	320 – 100 ppm	320	320 + 100 ppm	ps	–
Unit Interval: 5.0 GBaud	UI	200 – 100 ppm	200	200 + 100 ppm	ps	–

Notes: 1. Measured at receiver.

2. Total jitter is composed of three components: deterministic jitter, random jitter, and single frequency sinusoidal jitter. The sinusoidal jitter may have any amplitude and frequency in the unshaded region of [Figure 2-36](#). The sinusoidal jitter component is included to ensure margin for low frequency jitter, wander, noise, crosstalk and other variable system effects.

2.20.8 Serial ATA (SATA)

This section describes the DC and AC electrical specifications for the serial ATA (SATA) interface.

2.20.8.1 SATA DC Electrical Characteristics

This section describes the DC electrical characteristics for SATA.

1. SATA DC Transmitter Output Characteristics

This table provides the DC differential transmitter output DC characteristics for the SATA interface at Gen1i or 1.5 Gbits/s transmission.

Table 2-83. Gen1i/1.5G Transmitter (Tx) DC Specifications ($XV_{DD} = 1.5\text{ V}$ or 1.8 V) (For Recommended Operating Conditions, see [Table 2-2](#))

Parameter	Symbol	Min	Typical	Max	Unit	Note
Tx differential output voltage	V_{SATA_TXDIFF}	400	–	600	mV p-p	(1)
Tx differential pair impedance	$Z_{SATA_TXDIFFIM}$	85	100	115	Ω	(2)

- Notes: 1. Terminated by 50Ω load.
2. DC impedance

This table provides the differential transmitter output DC characteristics for the SATA interface at Gen2i or 3.0 Gbits/s transmission.

Table 2-84. Gen 2i/3G Transmitter (Tx) DC Specifications ($XV_{DD} = 1.5\text{ V}$ or 1.8 V) (For Recommended Operating Conditions, see [Table 2-2](#))

Parameter	Symbol	Min	Typ	Max	Unit	Note
Tx diff output voltage	V_{SATA_TXDIFF}	400	–	700	mV p-p	(1)
Tx differential pair impedance	$Z_{SATA_TXDIFFIM}$	85	100	115	Ω	–

- Note: 1. Terminated by 50Ω load.

An Important Notice at the end of this datasheet addresses availability, warranty, changes, use in critical applications, intellectual property matters and other important disclaimers

2. SATA DC Receiver (Rx) Input Characteristics

This table provides the Gen1i or 1.5 Gbits/s differential receiver input DC characteristics for the SATA interface.

Table 2-85. Gen1i/1.5 G Receiver (Rx) Input DC Specifications ($XV_{DD} = 1.5\text{ V}$ or 1.8 V) (For Recommended Operating Conditions, see [Table 2-2](#))

Parameter	Symbol	Min	Typical	Max	Unit	Note
Differential input voltage	V_{SATA_RXDIFF}	240	–	600	mV p-p	(1)
Differential Rx input impedance	Z_{SATA_RXSEIM}	85	100	115	Ω	–
OOB signal detection threshold	V_{SATA_OOB}	50	120	240	mV p-p	–

Note: 1. Voltage relative to common of either signal comprising a differential pair

This table provides the Gen2i or 3 Gbits/s differential receiver input DC characteristics for the SATA interface.

Table 2-86. Gen2i/3 G Receiver (Rx) Input DC Specifications ($XV_{DD} = 1.5\text{ V}$ or 1.8 V) (For Recommended Operating Conditions, see [Table 2-2](#))

Parameter	Symbol	Min	Typical	Max	Unit	Note
Differential input voltage	V_{SATA_RXDIFF}	275	–	750	mV p-p	(1)
Differential Rx input impedance	Z_{SATA_RXSEIM}	85	100	115	Ω	(2)
OOB signal detection threshold	V_{SATA_OOB}	75	120	240	mV p-p	(2)

Notes: 1. Voltage relative to common of either signal comprising a differential pair
2. DC impedance

2.20.8.2 SATA AC Timing Specifications

This section discusses the SATA AC timing specifications.

1. AC Requirements for SATA REF_CLK

The AC requirements for the SATA reference clock are listed in this table to be guaranteed by the customer’s application design.

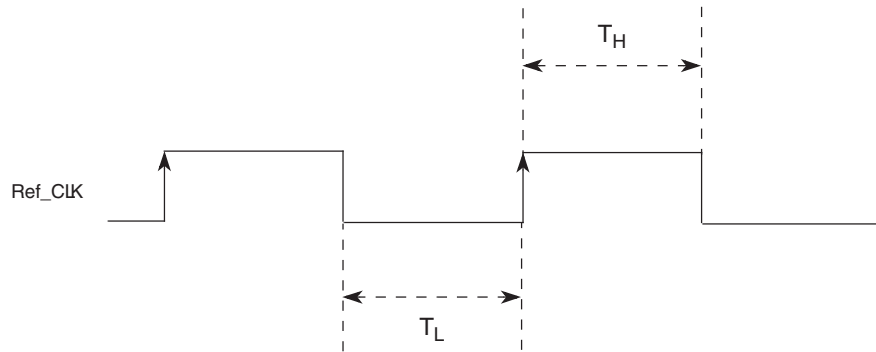
Table 2-87. SATA Reference Clock Input Requirements (For Recommended Operating Conditions, see Table 2-2)

Parameter	Symbol	Min	Typ	Max	Unit	Note
SD_REF_CLK/ $\overline{\text{SD_REF_CLK}}$ frequency range	$t_{\text{CLK_REF}}$	–	100/125	–	MHz	(1)
SD_REF_CLK/ $\overline{\text{SD_REF_CLK}}$ clock frequency tolerance	$t_{\text{CLK_TOL}}$	–350	–	+350	ppm	–
SD_REF_CLK/ $\overline{\text{SD_REF_CLK}}$ reference clock duty cycle (measured at 1.6 V)	$t_{\text{CLK_DUTY}}$	40	50	60	%	–
SD_REF_CLK/ $\overline{\text{SD_REF_CLK}}$ cycle-to-cycle clock jitter (period jitter)	$t_{\text{CLK_CJ}}$	–	–	100	ps	(2)
SD_REF_CLK/ $\overline{\text{SD_REF_CLK}}$ total reference clock jitter, phase jitter (peak-peak)	$t_{\text{CLK_PJ}}$	–50	–	+50	ps	(2)(3)(4)

- Notes:
1. **Caution:** Only 100, 125 MHz have been tested. In-between values do not work correctly with the rest of the system.
 2. At RefClk input
 3. In a frequency band from 150 kHz to 15 MHz at BER of 10^{-12}
 4. Total peak-to-peak deterministic jitter must be less than or equal to 50 ps.

This figure shows the reference clock timing waveform.

Figure 2-37. Reference Clock Timing Waveform



An Important Notice at the end of this datasheet addresses availability, warranty, changes, use in critical applications, intellectual property matters and other important disclaimers

2.20.8.3 AC Transmitter Output Characteristics

This table provides the differential transmitter output AC characteristics for the SATA interface at Gen1i or 1.5 Gbits/s transmission. The AC timing specifications do not include RefClk jitter.

Table 2-88. Gen1i/1.5 G Transmitter (Tx) AC Specifications (For Recommended Operating Conditions, see [Table 2-2](#))

Parameter	Symbol	Min	Typ	Max	Unit	Note
Channel speed	t_{CH_SPEED}	–	1.5	–	Gbps	–
Unit Interval	T_{UI}	666.4333	666.6667	670.2333	ps	–
Total jitter data-data 5 UI	$U_{SATA_TXTJ5UI}$	–	–	0.355	UI p-p	(1)
Total jitter, data-data 250 UI	$U_{SATA_TXTJ250UI}$	–	–	0.47	UI p-p	(1)
Deterministic jitter, data-data 5 UI	$U_{SATA_TXDJ5UI}$	–	–	0.175	UI p-p	(1)
Deterministic jitter, data-data 250 UI	$U_{SATA_TXDJ250UI}$	–	–	0.22	UI p-p	(1)

Note: 1. Measured at Tx output pins peak to peak phase variation, random data pattern

This table provides the differential transmitter output AC characteristics for the SATA interface at Gen2i or 3.0 Gbits/s transmission. The AC timing specifications do not include RefClk jitter.

Table 2-89. Gen 2i/3 G Transmitter (Tx) AC Specifications (For Recommended Operating Conditions, see [Table 2-2](#))

Parameter	Symbol	Min	Typ	Max	Unit	Note
Channel speed	t_{CH_SPEED}	–	3.0	–	Gbps	–
Unit Interval	T_{UI}	333.2167	333.3333	335.1167	ps	–
Total jitter $f_{C3dB} = f_{BAUD} \div 10$	$U_{SATA_TXTJfB/10}$	–	–	0.3	UI p-p	(1)
Total jitter $f_{C3dB} = f_{BAUD} \div 500$	$U_{SATA_TXTJfB/500}$	–	–	0.37	UI p-p	(1)
Total jitter $f_{C3dB} = f_{BAUD} \div 1667$	$U_{SATA_TXTJfB/1667}$	–	–	0.55	UI p-p	(1)
Deterministic jitter, $f_{C3dB} = f_{BAUD} \div 10$	$U_{SATA_TXDJfB/10}$	–	–	0.17	UI p-p	(1)
Deterministic jitter, $f_{C3dB} = f_{BAUD} \div 500$	$U_{SATA_TXDJfB/500}$	–	–	0.19	UI p-p	(1)
Deterministic jitter, $f_{C3dB} = f_{BAUD} \div 1667$	$U_{SATA_TXDJfB/1667}$	–	–	0.35	UI p-p	(1)

Note: 1. Measured at Tx output pins peak-to-peak phase variation, random data pattern

2.20.8.4 AC Differential Receiver Input Characteristics

This table provides the Gen1i or 1.5 Gbits/s differential receiver input AC characteristics for the SATA interface. The AC timing specifications do not include RefClk jitter.

Table 2-90. Gen 1i/1.5G Receiver (Rx) AC Specifications (For Recommended Operating Conditions, see [Table 2-2](#))

Parameter	Symbol	Min	Typical	Max	Unit	Note
Unit Interval	T_{UI}	666.4333	666.6667	670.2333	ps	–
Total jitter data-data 5 UI	$U_{SATA_TXTJ5UI}$	–	–	0.43	UI p-p	(1)
Total jitter, data-data 250 UI	$U_{SATA_TXTJ250UI}$	–	–	0.60	UI p-p	(1)
Deterministic jitter, data-data 5 UI	$U_{SATA_TXDJ5UI}$	–	–	0.25	UI p-p	(1)
Deterministic jitter, data-data 250 UI	$U_{SATA_TXDJ250UI}$	–	–	0.35	UI p-p	(1)

Note: 1. Measured at receiver.

An Important Notice at the end of this datasheet addresses availability, warranty, changes, use in critical applications, intellectual property matters and other important disclaimers

This table provides the differential receiver input AC characteristics for the SATA interface at Gen2i or 3.0 Gbits/s transmission. The AC timing specifications do not include RefClk jitter.

Table 2-91. Gen 2i/3G Receiver (Rx) AC Specifications (For Recommended Operating Conditions, see [Table 2-2](#))

Parameter	Symbol	Min	Typical	Max	Unit	Note
Unit Interval	T_{UI}	333.2167	333.3333	335.1167	ps	–
Total jitter $f_{C3dB} = f_{BAUD} \div 10$	$U_{SATA_TXTJfB/10}$	–	–	0.46	UI p-p	(1)
Total jitter $f_{C3dB} = f_{BAUD} \div 500$	$U_{SATA_TXTJfB/500}$	–	–	0.60	UI p-p	(1)
Total jitter $f_{C3dB} = f_{BAUD} \div 1667$	$U_{SATA_TXTJfB/1667}$	–	–	0.65	UI p-p	(1)
Deterministic jitter, $f_{C3dB} = f_{BAUD} \div 10$	$U_{SATA_TXDJfB/10}$	–	–	0.35	UI p-p	(1)
Deterministic jitter, $f_{C3dB} = f_{BAUD} \div 500$	$U_{SATA_TXDJfB/500}$	–	–	0.42	UI p-p	(1)
Deterministic jitter, $f_{C3dB} = f_{BAUD} \div 1667$	$U_{SATA_TXDJfB/1667}$	–	–	0.35	UI p-p	(1)

Note: 1. Measured at receiver.

2.20.9 SGMII Interface

Each SGMII port features a 4-wire AC-coupled serial link from the SerDes interface of the device, as shown in [Figure 2-38](#), where CTX is the external (on board) AC-coupled capacitor. Each output pin of the SerDes transmitter differential pair features 50Ω output impedance. Each input of the SerDes receiver differential pair features 50Ω on-die termination to XGND. The reference circuit of the SerDes transmitter and receiver is shown in [Figure 2-33](#).

1. SGMII Clocking Requirements for $\overline{SD_REF_CLKn}$ and $\overline{SD_REF_CLKn}$

When operating in SGMII mode, the EC_GTX_CLK125 clock is not required for this port. Instead, a SerDes reference clock is required on $\overline{SD_REF_CLK[1:2]}$ and $\overline{SD_REF_CLK[1:2]}$ pins. SerDes banks 1–2 may be used for SerDes SGMII configurations based on the RCW Configuration field SRDS_PRTCL.

For more information on these specifications, see [Section 2.20.2 "SerDes Reference Clocks" on page 81](#).

2.20.9.1 SGMII DC Electrical Characteristics

This section discusses the electrical characteristics for the SGMII interface.

1. SGMII Transmit DC Timing Specifications

This table describe the SGMII SerDes transmitter and receiver AC-coupled DC electrical characteristics for 1.25 GBaud. Transmitter DC characteristics are measured at the transmitter outputs (SD_TXn and SD_TXn) as shown in [Figure 2-39](#).

Table 2-92. SGMII DC Transmitter Electrical Characteristics ($XV_{DD} = 1.5\text{ V}$ or 1.8 V) (For Recommended Operating Conditions, see [Table 2-2](#))

Parameter	Symbol	Min	Typ	Max	Unit	Note
Output high voltage	V_{OH}	–	–	$1.5 \times V_{OD} _{-max}$	mV	(1)
Output low voltage	V_{OL}	$ V_{OD} _{-min}/2$	–	–	mV	(1)
Output differential voltage ⁽²⁾⁽³⁾⁽⁴⁾ (XV_{DD} -Typ at 1.5 V and 1.8 V)	$ V_{OD} $	320	500.0	725.0	mV	B(1-2)TECR(lane)0[AMP_RED] =0b000000
		293.8	459.0	665.6		B(1-2)TECR(lane)0[AMP_RED] =0b000010
		266.9	417.0	604.7		B(1-2)TECR(lane)0[AMP_RED] =0b000101
		240.6	376.0	545.2		B(1-2)TECR(lane)0[AMP_RED] =0b001000
		213.1	333.0	482.9		B(1-2)TECR(lane)0[AMP_RED] =0b001100
		186.9	292.0	423.4		B(1-2)TECR(lane)0[AMP_RED] =0b001111
		160.0	250.0	362.5		B(1-2)TECR(lane)0[AMP_RED] =0b010011
Output impedance (single-ended)	R_O	40	50	60	Ω	–

- Notes:
1. This does not align to DC-coupled SGMII.
 2. $|V_{OD}| = |V_{SD_TXn} - V_{SD_TXn}|$. $|V_{OD}|$ is also referred to as output differential peak voltage. $V_{TX-DIFFp-p} = 2 * |V_{OD}|$.
 3. Example amplitude reduction setting for SGMII on SerDes bank 1 lane E: B1TECRE0[AMP_RED] = 0b000010 for an output differential voltage of 459 mV typical.
 4. The $|V_{OD}|$ value shown in the Typ column is based on the condition of $XVDD_SRDSn$ -Typ = 1.5 V or 1.8 V, no common mode offset variation. SerDes transmitter is terminated with 100 Ω differential load between SD_TXn and SD_TXn.

Figure 2-38. 4-Wire AC-Coupled SGMII Serial Link Connection Example

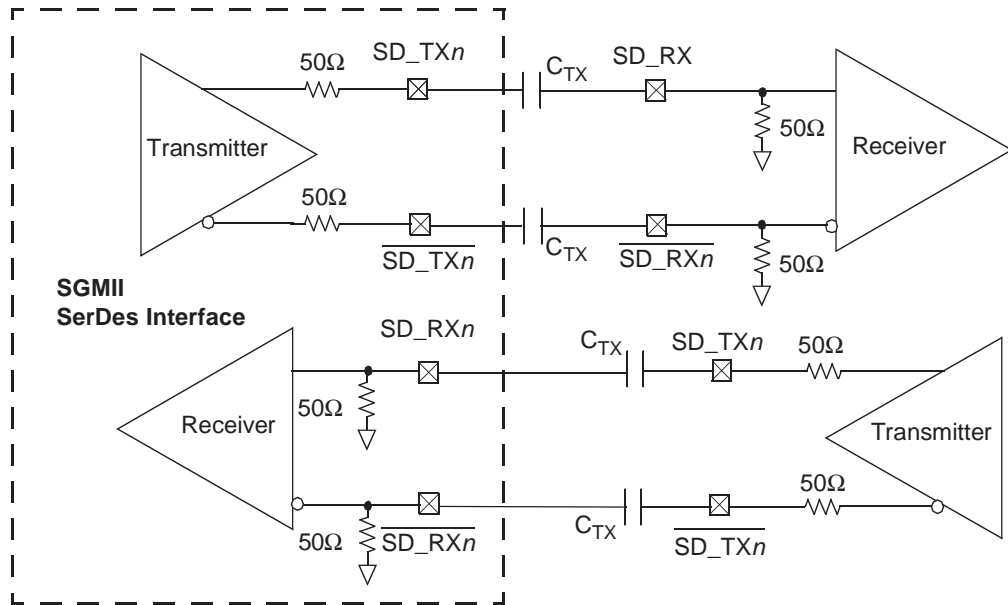
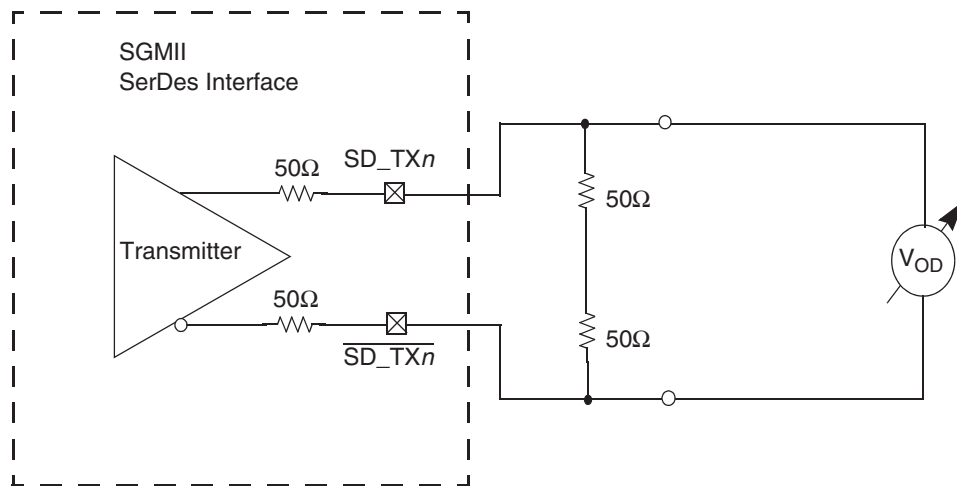


Figure 2-39. SGMII Transmitter DC Measurement Circuit



This table defines the SGMII 2.5x transmitter DC electrical characteristics for 3.125 GBaud.

Table 2-93. SGMII 2.5x Transmitter DC Electrical Characteristics ($XV_{DD} = 1.5\text{ V}$ or 1.8 V) (For Recommended Operating Conditions, see Table 2-2)

Parameter	Symbol	Min	Typical	Max	Unit	Note
Output voltage	V_O	-0.40	-	2.30	V	(1)
Differential output voltage	V_{DIFFPP}	800	-	1600	mV p-p	-

Note: 1. Absolute output voltage limit

2. SGMII DC Receiver Electrical Characteristics

This table lists the SGMII DC receiver electrical characteristics for 1.25 GBaud. Source synchronous clocking is not supported. Clock is recovered from the data.

Table 2-94. SGMII DC Receiver Electrical Characteristics ($XV_{DD} = 1.5\text{ V}$ or 1.8 V) (For Recommended Operating Conditions, see [Table 2-2](#))

Parameter	Symbol	Min	Typ	Max	Unit	Note	
DC Input voltage range	–	N/A			–	(1)	
Input differential voltage	REIDL_CTL = 001xx	$V_{RX_DIFFp-p}$	100	–	1200	mV	(2)(4)
	REIDL_CTL = 100xx		175	–			
Loss of signal threshold	REIDL_CTL = 001xx	V_{LOS}	30	–	100	mV	(3)(4)
	REIDL_CTL = 100xx		65	–	175		
Receiver differential input impedance	Z_{RX_DIFF}	80	–	120	Ω	–	

- Notes:
1. Input must be externally AC coupled.
 2. $V_{RX_DIFFp-p}$ is also referred to as peak-to-peak input differential voltage.
 3. The concept of this parameter is equivalent to the electrical idle detect threshold parameter in PCI Express. Refer to [Section 2.20.4.4 "PCI Express DC Physical Layer Receiver Specifications"](#) on page 87 and [Section "PCI Express AC Physical Layer Receiver Specifications"](#) on page 91, for further explanation.
 4. The REIDL_CTL shown in the table refers to the chip's SerDes control register B(1–3)GCR(lane)1[REIDL_CTL] bit field.

This table defines the SGMII 2.5x receiver DC electrical characteristics for 3.125 GBaud.

Table 2-95. SGMII 2.5x receiver DC Timing Specifications ($XV_{DD} = 1.5\text{ V}$ or 1.8 V) (For Recommended Operating Conditions, see [Table 2-2](#))

Parameter	Symbol	Min	Typical	Max	Unit	Note
Differential input voltage	V_{IN}	200	900	1600	mV p-p	(1)

- Note:
1. Measured at the receiver.

2.20.9.2 SGMII AC Timing Specifications

This section discusses the AC timing specifications for the SGMII interface.

1. SGMII Transmit AC Timing Specifications

This table provides the SGMII transmit AC timing specifications. A source synchronous clock is not supported. The AC timing specifications do not include RefClk jitter.

Table 2-96. SGMII Transmit AC Timing Specifications (For Recommended Operating Conditions, see [Table 2-2](#))

Parameter	Symbol	Min	Typ	Max	Unit	Note
Deterministic jitter	J_D	–	–	0.17	UI p-p	–
Total jitter	J_T	–	–	0.35	UI p-p	(1)
Unit interval: 1.25 GBaud	UI	800 – 100 ppm	800	800 + 100 ppm	ps	–
Unit interval: 3.125 GBaud	UI	320 – 100 ppm	320	320 + 100 ppm	ps	–
AC coupling capacitor	CTX	10		200	nF	(2)

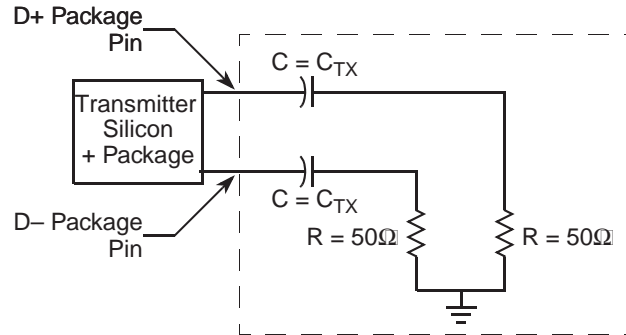
- Notes:
1. See [Figure 2-36](#) for single frequency sinusoidal jitter measurements.
 2. The external AC coupling capacitor is required. It is recommended that it be placed near the device transmitter outputs.

An Important Notice at the end of this datasheet addresses availability, warranty, changes, use in critical applications, intellectual property matters and other important disclaimers

2. SGMII AC Measurement Details

Transmitter and receiver AC characteristics are measured at the transmitter outputs ($\overline{SD_TXn}$ and $\overline{SD_TXn}$) or at the receiver inputs ($\overline{SD_RXn}$ and $\overline{SD_RXn}$) respectively, as depicted in this figure.

Figure 2-40. SGMII AC Test/Measurement Load



3. SGMII Receiver AC Timing Specification

This table provides the SGMII receiver AC timing specifications. The AC timing specifications do not include RefClk jitter. Source synchronous clocking is not supported. Clock is recovered from the data.

Table 2-97. SGMII Receive AC Timing Specifications (For Recommended Operating Conditions, see Table 2-2)

Parameter	Symbol	Min	Typ	Max	Unit	Note
Deterministic jitter tolerance	J_D	0.37	–	–	UI p-p	(1)(3)
Combined deterministic and random jitter tolerance	J_{DR}	0.55	–	–	UI p-p	(1)(2)
Total jitter tolerance	J_T	0.65	–	–	UI p-p	(1)(2)(3)
Bit error ratio	BER	–	–	10^{-12}	–	–
Unit Interval: 1.25 GBaud	UI	800 – 100 ppm	800	800 + 100 ppm	ps	(1)
Unit Interval: 3.125 GBaud	UI	320 – 100 ppm	320	320 + 100 ppm	ps	(1)

- Notes:
1. Measured at receiver
 2. Refer to RapidIO™ 1×/4× LP Serial Physical Layer Specification for interpretation of jitter specifications.
 3. Total jitter is composed of three components: deterministic jitter, random jitter, and single frequency sinusoidal jitter. The sinusoidal jitter may have any amplitude and frequency in the unshaded region of Figure 2-36. The sinusoidal jitter component is included to ensure margin for low frequency jitter, wander, noise, crosstalk and other variable system effects.

The sinusoidal jitter in the total jitter tolerance may have any amplitude and frequency in the unshaded region of Figure 2-36.

An Important Notice at the end of this datasheet addresses availability, warranty, changes, use in critical applications, intellectual property matters and other important disclaimers

3. Hardware Design Considerations

This section discusses the hardware design considerations.

3.1 System Clocking

This section describes the PLL configuration of the device. This device includes six PLLs, as follows:

- There are two selectable core cluster PLLs that generate a core clock from the externally supplied SYSCLK input. Core complex 0–1 and platform can select from CC1 PLL; core complex 2–3 can select from CC2 PLL. The frequency ratio between the core cluster PLLs and SYSCLK is selected using the configuration bits as described in [Section 3.1.3 "e500mc Core Cluster to SYSCLK PLL Ratio" on page 111](#). The frequency for each core complex 0–3 is selected using the configuration bits as described in [Table 3-4](#).
- The platform PLL generates the platform clock from the externally supplied SYSCLK input. The frequency ratio between the platform and SYSCLK is selected using the platform PLL ratio configuration bits as described in [Section 3.1.2 "Platform to SYSCLK PLL Ratio" on page 111](#).
- The DDR block PLL generates the DDR clock from the externally supplied SYSCLK input (asynchronous mode) or from the platform clock (synchronous mode). The frequency ratio is selected using the Memory Controller Complex PLL multiplier/ratio configuration bits as described in [Section 3.1.5 "DDR Controller PLL Ratios" on page 113](#).
- Each of the three SerDes blocks has a PLL which generate a core clock from their respective externally supplied SD_REF_CLKn/SD_REF_CLKn inputs. The frequency ratio is selected using the SerDes PLL ratio configuration bits as described in [Section 3.1.6 "Frequency Options" on page 114](#).

3.1.1 Clock Ranges

This table provides the clocking specifications for the processor core, platform, memory, and local bus.

Table 3-1. Processor Clocking Specifications

Parameter	Maximum Processor Core Frequency						Unit	Notes
	1200 MHz		1333 MHz		1500 MHz			
	Min	Max	Min	Max	Min	Max		
e500mc core PLL frequency	800	1200	800	1333	800	1500	MHz	(1)(4)
e500mc core frequency	400	1200	400	1333	400	1500	MHz	(4)
Platform clock frequency	600	600	600	667	600	750	MHz	(1)
Memory bus clock frequency	400	600	400	667	400	667	MHz	(1)(2)(5)(6)
Local bus clock frequency	–	83	–	83	–	83	MHz	(3)
PME	–	300	–	333	–	375	MHz	(7)
FMan	–	500	–	541	–	583	MHz	–

- Notes:
1. **Caution:** The platform clock to SYSCLK ratio and e500-mc core to SYSCLK ratio settings must be chosen such that the resulting SYSCLK frequency, e500mc (core) frequency, and platform clock frequency do not exceed their respective maximum or minimum operating frequencies.
 2. The memory bus clock speed is half the DDR3/DDR3L data rate. DDR3 memory bus clock frequency is limited to min = 400 MHz.
 3. The local bus clock speed on LCLK[0:1] is determined by the platform clock divided by the local bus ratio programmed in LCRR[CLKDIV]. See the chip reference manual for more information.

An Important Notice at the end of this datasheet addresses availability, warranty, changes, use in critical applications, intellectual property matters and other important disclaimers

4. The e500mc core can run at e500mc core complex PLL/1 or PLL/2. With a minimum core complex PLL frequency of 800 MHz, this results in a minimum allowable e500mc core frequency of 400 MHz for PLL/2.
5. In synchronous mode, the memory bus clock speed is half the platform clock frequency. In other words, the DDR data rate is the same as the platform frequency. If the desired DDR data rate is higher than the platform frequency, asynchronous mode must be used.
6. In asynchronous mode, the memory bus clock speed is dictated by its own PLL.
7. The PME runs synchronously to the platform clock, running at a frequency of platform clock/2.
8. Core frequency must be at least as fast as the platform frequency.

3.1.2 Platform to SYSCLK PLL Ratio

This table shows the allowed platform clock-to-SYSCLK ratios.

The chip platform clock frequency is always below 666 MHz frequencies; set the RCW configuration field SYS_PLL_CFG = 0b01.

Table 3-2. Platform to SYSCLK PLL Ratios

Binary Value of SYS_PLL_RAT	Platform: SYSCLK Ratio
0_0100	4:1
0_0101	5:1
0_0110	6:1
0_0111	7:1
0_1000	8:1
0_1001	9:1
0_1010	10:1
All Others	Reserved

3.1.3 e500mc Core Cluster to SYSCLK PLL Ratio

The clock ratio between SYSCLK and each of the two core cluster PLLs is determined at power up by the binary value of the RCW field CCn_PLL_RAT. This table describes the supported ratios. Note that a core cluster PLL frequency targeting 1 GHz and above must set RCW field CCn_PLL_CFG = 0b00 for frequency targeting below 1 GHz set CCn_PLL_CFG = 0b01.

This table lists the supported Core Cluster to SYSCLK ratios.

Table 3-3. e500mc Core Cluster PLL to SYSCLK Ratios

Binary Value of CCn_PLL_RAT	Core Cluster: SYSCLK Ratio
0_1000	8:1
0_1001	9:1
0_1010	10:1
0_1011	11:1
0_1100	12:1
0_1101	13:1
0_1110	14:1
0_1111	15:1
1_0000	16:1
1_0001	17:1
1_0010	18:1
All Others	Reserved

3.1.4 e500mc Core Complex PLL Select

The clock frequency of each the e500mc core 0–3 complex is determined by the binary value of the RCW field CCn_PLL_SEL. These tables describe the supported ratios for each core complex 0–3, where each individual core complex can select a frequency from the table.

Table 3-4. e500mc Core Complex [0,1] PLL Select

Binary Value of Cn_PLL_SEL for n=[0,1]	e500mc:Core Cluster Ratio
0000	CC1 PLL /1
0001	CC1 PLL /2
0100	CC2 PLL /1
All Others	Reserved

Table 3-5. e500mc Core Complex [2,3] PLL Select

Binary Value of Cn_PLL_SEL for n=[0,1]	e500mc:Core Cluster Ratio
0000	CC1 PLL /1
0100	CC2 PLL /1
0101	CC2 PLL /2
All Others	Reserved

3.1.5 DDR Controller PLL Ratios

The single DDR memory controller complexes can be synchronous with or asynchronous to the platform, depending on configuration.

Table 3-6 describes the clock ratio between the DDR memory controller PLLs and the externally supplied SYSCLK input (asynchronous mode) or from the platform clock (synchronous mode).

In asynchronous DDR mode, the DDR data rate to SYSCLK ratios supported are listed in this table. This ratio is determined by the binary value of the RCW configuration field MEM_PLL_RAT[10:14].

The RCW configuration field MEM_PLL_CFG[8:9] must be set to MEM_PLL_CFG[8:9] = 0b01 if the applied DDR PLL reference clock frequency is greater than the cutoff frequency listed in Table 3-6 and Table 3-5 for asynchronous and synchronous DDR clock ratios respectively; otherwise, set MEM_PLL_CFG[8:9] = 0b00.

NOTE

The RCW Configuration field DDR_SYNC (bit 184) must be set to 0b0 for asynchronous mode, and 0b1 for synchronous mode.

The RCW Configuration field DDR_RATE (bit 232) must be set to b'0 for asynchronous mode, and b'1 for synchronous mode.

The RCW Configuration field DDR_RSV0 (bit 234) must be set to b'0 for all ratios.

Table 3-6. Asynchronous DDR Clock Ratio

Binary Value of MEM_PLL_RAT[10:14]	DDR:SYSCLK Ratio	Set MEM_PLL_CFG = 01 for SYSCLK Freq ⁽¹⁾
0_0101	5:1	>96.7 MHz
0_0110	6:1	>80.6 MHz
0_1000	8:1	>120.9 MHz
0_1001	9:1	>107.4 MHz
0_1010	10:1	>96.7 MHz
0_1100	12:1	>80.6 MHz
0_1101	13:1	>74.4 MHz
1_0000	16:1	>60.4 MHz
1_0010	18:1	>53.7 MHz
1_0100	20:1	>48.4 MHz
All Others	Reserved	–

Note: 1. Set RCW field MEM_PLL_CFG = 0b01 if the applied DDR PLL reference clock (SYSCLK) frequency is greater than the given cutoff; otherwise, set to 0b00 for a frequency that is less than or equal to the cutoff.

In synchronous mode, the DDR data rate to platform clock ratios supported are listed in this table. This ratio is determined by the binary value of the RCW Configuration field MEM_PLL_RAT[10:14].

Table 3-7. Synchronous DDR Clock Ratio

Binary Value of MEM_PLL_RAT[10:14]	DDR: Platform CLK Ratio	Set MEM_PLL_CFG=01 for Platform CLK Freq ⁽¹⁾
0_0001	1:1	>600 MHz
All Others	Reserved	–

Note: 1. Set MEM_PLL_CFG=0b01 if the applied DDR PLL reference clock (Platform clock) frequency is greater than given cutoff, else set to 0b00 for frequency that is less than or equal to cutoff.

An Important Notice at the end of this datasheet addresses availability, warranty, changes, use in critical applications, intellectual property matters and other important disclaimers

3.1.6 Frequency Options

This section discusses interface frequency options.

3.1.6.1 SYCLK and Platform Frequency Options

This table shows the expected frequency options for SYCLK and platform frequencies.

Table 3-8. SYCLK and Platform Frequency Options

Platform: SYCLK Ratio	SYCLK (MHz)				
	66.66	83.33	100.00	111.11	133.33
	Platform Frequency (MHz) ⁽¹⁾				
5:1					667
6:1			600	667	
7:1			700		
8:1		667			
9:1	600	750			
10:1	667				
11:1	733				

Note: 1. Platform frequency values are shown rounded down to the nearest whole number (decimal place accuracy removed)

3.1.6.2 Minimum Platform Frequency Requirements for High-Speed Interfaces

The platform clock frequency must be considered for proper operation of high-speed interfaces as described below.

For proper PCI Express operation, the platform clock frequency must be greater than or equal to the values shown in these figures.

Figure 3-1. Gen 1 PCI Express Minimum Platform Frequency

$$\frac{527 \text{ MHz} \times (\text{PCI Express link width})}{8}$$

Figure 3-2. Gen 2 PCI Express Minimum Platform Frequency

$$\frac{527 \text{ MHz} \times (\text{PCI Express link width})}{4}$$

See Section 18.1.3.2, “Link Width,” in the chip reference manual for PCI Express interface width details. Note that “PCI Express link width” in the above equation refers to the negotiated link width of the single widest port used (not combined width of the number ports used) as the result of PCI Express link training, which may or may not be the same as the link width POR selection.

For proper Serial RapidIO operation, the platform clock frequency must be greater than or equal to:

An Important Notice at the end of this datasheet addresses availability, warranty, changes, use in critical applications, intellectual property matters and other important disclaimers

Figure 3-3. sRIO Minimum Platform Frequency

$$\frac{2 \times (0.8512) \times (\text{serial RapidIO interface frequency}) \times (\text{serial RapidIO link width})}{64}$$

See Section 19.4 “LP-Serial Signal Descriptions,” in the chip reference manual for Serial RapidIO interface width and frequency details.

3.1.7 SerDes PLL Ratio

The clock ratio between each of the three SerDes PLLs and their respective externally supplied $SD_REF_CLK_n/SD_REF_CLK_n$ inputs is determined by the binary value of the RCW Configuration field $SRDS_RATIO_B_n$ as shown in this table. Furthermore, each SerDes lane grouping can be run at a SerDes PLL frequency divider determined by the binary value of the RCW field $SRDS_DIV_B_n$ as shown in [Table 3-11](#).

This table lists the supported SerDes PLL Bank n to $SD_REF_CLK_n$ ratios.

Table 3-9. SerDes PLL Bank n to $SD_REF_CLK_n$ Ratios

Binary Value of $SRDS_RATIO_B_1$	$SRDS_PLL_n$: $SD_REF_CLK_n$ Ratio	
	$n = 1$ (Bank)	$n = 2$ (Bank 2)
000	Reserved	Reserved
001	Reserved	20:1
010	25:1	25:1
011	40:1	40:1
100	50:1	50:1
101	Reserved	24:1
110	Reserved	30:1
All Others	Reserved	Reserved

These tables list the supported SerDes PLL dividers.

This table shows the PLL divider support for each pair of lanes on SerDes Bank 1.

Table 3-10. SerDes Bank 1 PLL Dividers

Binary Value of $SRDS_DIV_B_1[0:4]$	SerDes Bank 1 PLL Divider
0b0	Divide by 1 off Bank 1 PLL
0b1	Divide by 2 off Bank 1 PLL

Note: 1 bit (of 5 total $SRDS_DIV_B_1$ bits) controls each pair of lanes. Because this chip does not have lanes A–B and H–J exposed, the first bit and last bit are not meaningful.

This table shows the PLL dividers supported for each 4-lane for SerDes Banks 2.

Table 3-11. SerDes Banks 2 PLL Dividers

Binary Value of $SRDS_DIV_B_2$	SerDes Bank 2 PLL Divider
0b0	Divide by 1 off Bank 2 PLL
0b1	Divide by 2 off Bank 2 PLL

Note: 1 bit controls all four lanes of bank 2.

3.1.8 Frame Manager (FMan) Clock Select

The Frame Managers (FM) can each be synchronous to the platform.

This table describes the clocking options that may be applied to each FM. The clock selection is determined by the binary value of the RCW clocking configuration fields FM_CLK_SEL.

Table 3-12. Frame Manager Clock Select

Binary Value of FM_CLK_SEL	FM Frequency
0b0	Platform Clock Frequency /2
0b1	Core Cluster 2 Frequency /2 ⁽¹⁾

Note: 1. For asynchronous mode, max frequency, see [Table 3-1](#).

3.2 Supply Power Default Setting

The device is capable of supporting multiple power supply levels on its I/O supplies. The I/O voltage select inputs, shown in [Table 3-13](#), properly configure the receivers and drivers of the I/Os associated with the BV_{DD}, CV_{DD}, and LV_{DD} power planes, respectively.

WARNING

Incorrect voltage select settings can lead to irreversible device damage.

Table 3-13. I/O Voltage Selection

Signals	Value (Binary)	VDD Voltage Selection		
		BVDD	CVDD	LVDD
IO_VSEL[0:4] Default (0_0000)	0_0000	3.3 V	3.3 V	3.3 V
	0_0001			2.5 V
	0_0010			Reserved
	0_0011	3.3 V	2.5 V	3.3 V
	0_0100			2.5 V
	0_0101			Reserved
	0_0110	3.3 V	1.8 V	3.3 V
	0_0111			2.5 V
	0_1000			Reserved
	0_1001	2.5 V	3.3 V	3.3 V
	0_1010			2.5 V
	0_1011			Reserved
	0_1100	2.5 V	2.5 V	3.3 V

An Important Notice at the end of this datasheet addresses availability, warranty, changes, use in critical applications, intellectual property matters and other important disclaimers

Table 3-13. I/O Voltage Selection (Continued)

Signals	Value (Binary)	VDD Voltage Selection		
		BVDD	CVDD	LVDD
	0_1101			2.5 V
	0_1110			Reserved
	0_1111	2.5 V	1.8 V	3.3 V
	1_0000			2.5 V
	1_0001			Reserved
	1_0010	1.8 V	3.3 V	3.3 V
	1_0011			2.5 V
	1_0100			Reserved
	1_0101	1.8 V	2.5 V	3.3 V
	1_0110			2.5 V
	1_0111			Reserved
	1_1000	1.8 V	1.8 V	3.3 V
	1_1001			2.5 V
	1_1010			Reserved
	1_1011	3.3 V	3.3 V	3.3 V
	_1_1100			
	_1_1101			
	_1_1110			
	_1_1111			

3.3 Power Supply Design

This section discusses the power supply design.

3.3.1 PLL Power Supply Filtering

Each of the PLLs described in [Section 3.1 "System Clocking" on page 110](#), is provided with power through independent power supply pins (AV_{DD_PLAT} , AV_{DD_CCn} , AV_{DD_DDR} , and AV_{DD_SRDSn}). AV_{DD_PLAT} , AV_{DD_CCn} and AV_{DD_DDR} voltages must be derived directly from the $V_{DD_CA_CB_PL}$ source through a low frequency filter scheme. AV_{DD_SRDSn} voltages must be derived directly from the SV_{DD} source through a low frequency filter scheme.

The recommended solution for PLL filtering is to provide independent filter circuits per PLL power supply, as illustrated in [Figure 3-4](#), one for each of the AV_{DD} pins. By providing independent filters to each PLL the opportunity to cause noise injection from one PLL to the other is reduced.

This circuit is intended to filter noise in the PLL's resonant frequency range from a 500-kHz to 10-MHz range.

Each circuit must be placed as close as possible to the specific AV_{DD} pin being supplied to minimize noise coupled from nearby circuits. It must be possible to route directly from the capacitors to the AV_{DD} pin, which is on the periphery of the footprint, without the inductance of vias.

An Important Notice at the end of this datasheet addresses availability, warranty, changes, use in critical applications, intellectual property matters and other important disclaimers

Figure 3-4 shows the PLL power supply filter circuit.

Where:

$$R = 5\Omega \pm 5\%$$

$$C1 = 10\ \mu\text{F} \pm 10\%,\ 0603,\ \text{X5R},\ \text{with}\ \text{ESL} \leq 0.5\ \text{nH}$$

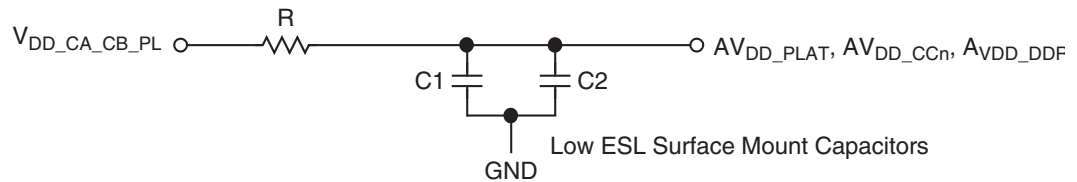
$$C2 = 1.0\ \mu\text{F} \pm 10\%,\ 0402,\ \text{X5R},\ \text{with}\ \text{ESL} \leq 0.5\ \text{nH}$$

NOTE

A higher capacitance value for C2 may be used to improve the filter as long as the other C2 parameters do not change (0402 body, X5R, ESL \leq 0.5 nH).

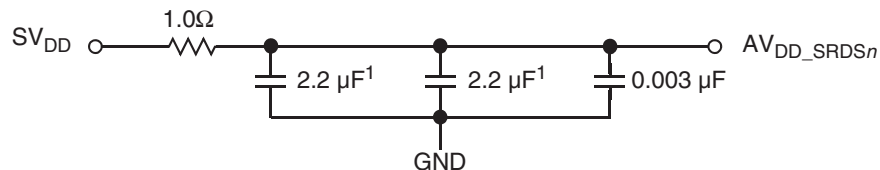
Voltage for AV_{DD} is defined at the PLL supply filter and not the pin of AV_{DD} .

Figure 3-4. PLL Power Supply Filter Circuit



The AV_{DD_SRDSn} signals provides power for the analog portions of the SerDes PLL. To ensure stability of the internal clock, the power supplied to the PLL is filtered using a circuit similar to the one shown in following Figure 3-5. For maximum effectiveness, the filter circuit is placed as closely as possible to the AV_{DD_SRDSn} balls to ensure it filters out as much noise as possible. The ground connection must be near the AV_{DD_SRDSn} balls. The 0.003- μF capacitor is closest to the balls, followed by two 2.2- μF capacitors, and finally the 1 Ω resistor to the board supply plane. The capacitors are connected from AV_{DD_SRDSn} to the ground plane. Use ceramic chip capacitors with the highest possible self-resonant frequency. All traces must be kept short, wide, and direct.

Figure 3-5. SerDes PLL Power Supply Filter Circuit



Note the following:

- AV_{DD_SRDSn} must be a filtered version of SV_{DD} .
- Signals on the SerDes interface are fed from the XV_{DD} power plane.
- Voltage for AV_{DD_SRDSn} is defined at the PLL supply filter and not the pin of AV_{DD_SRDSn} .
- A 0805 sized capacitor is recommended for system initial bring-up.

3.3.2 XV_{DD} Power Supply Filtering

XV_{DD} may be supplied by a linear regulator or sourced by a filtered GV_{DD} . Systems may design in both options to allow flexibility to address system noise dependencies.

An example solution for XV_{DD} filtering, where XV_{DD} is sourced from GV_{DD} , is illustrated in Figure 3-6. The component values in this example filter is system dependent and are still under characterization, component values may need adjustment based on the system or environment noise.

Where:

$C1 = 2.2 \mu\text{F} \pm 10\%$, X5R, with $\text{ESL} \leq 0.5 \text{ nH}$

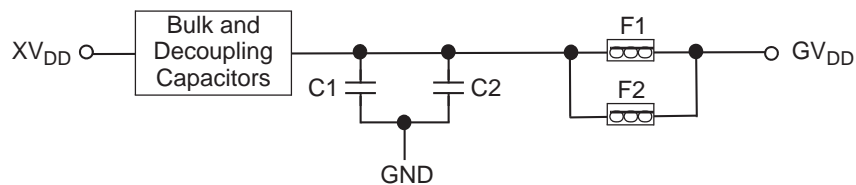
$C2 = 2.2 \mu\text{F} \pm 10\%$, X5R, with $\text{ESL} \leq 0.5 \text{ nH}$

$F1 = 120\Omega$ at 100-MHz 2A 25% 0603 Ferrite

$F2 = 120\Omega$ at 100-MHz 2A 25% 0603 Ferrite

Bulk and decoupling capacitors are added, as needed, per power supply design.

Figure 3-6. XV_{DD} Power Supply Filter Circuit



3.3.3 $USB_{V_{DD_1P0}}$ Power Supply Filtering

$USB_{V_{DD_1P0}}$ must be sourced by a filtered $V_{DD_CA_CB_PL}$ using a star connection. An example solution for $USB_{V_{DD_1P0}}$ filtering, where $USB_{V_{DD_1P0}}$ is sourced from $V_{DD_CA_CB_PL}$, is illustrated in Figure 3-7. The component values in this example filter is system dependent and are still under characterization; component values may need adjustment based on the system or environment noise.

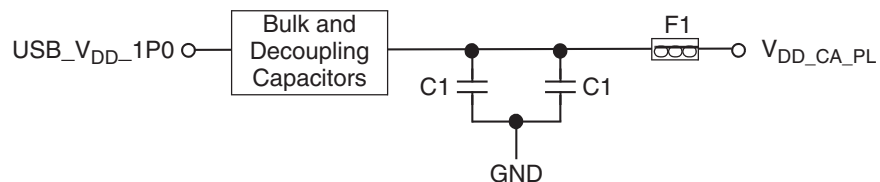
Where:

$C1 = 2.2 \mu\text{F} \pm 20\%$, X5R, with Low ESL (for example, Panasonic ECJ0EB0J225M)

$F1 = 120\Omega$ at 100-MHz 2A 25% Ferrite (for example, Murata BLM18PG121SH1)

Bulk and decoupling capacitors are added, as needed, per power supply design.

Figure 3-7. $USB_{V_{DD_1P0}}$ Power Supply Filter Circuit



3.4 Decoupling Recommendations

Due to large address and data buses, and high operating frequencies, the device can generate transient power surges and high frequency noise in its power supply, especially while driving large capacitive loads. This noise must be prevented from reaching other components in the chip's system, and the chip itself requires a clean, tightly regulated source of power. Therefore, it is recommended that the system designer place at least one decoupling capacitor at each V_{DD} , BV_{DD} , OV_{DD} , CV_{DD} , GV_{DD} , and LV_{DD} pin of the device. These decoupling capacitors should receive their power from separate V_{DD} , BV_{DD} , OV_{DD} , CV_{DD} , GV_{DD} , LV_{DD} , and GND power planes in the PCB, utilizing short traces to minimize inductance. Capacitors may be placed directly under the device using a standard escape pattern. Others may surround the part.

These capacitors should have a value of 0.01 or 0.1 μF . Only ceramic SMT (surface mount technology) capacitors must be used to minimize lead inductance, preferably 0402 or 0603 sizes.

Additionally, it is recommended that there be several bulk storage capacitors distributed around the PCB, feeding the V_{DD} , BV_{DD} , OV_{DD} , CV_{DD} , GV_{DD} , and LV_{DD} planes, to enable quick recharging of the smaller chip capacitors. These bulk capacitors should have a low ESR (equivalent series resistance) rating to ensure the quick response time necessary. They should also be connected to the power and ground planes through two vias to minimize inductance. Suggested bulk capacitors: 100–330 μF (AVX TPS tantalum or Sanyo OSCON).

3.5 SerDes Block Power Supply Decoupling Recommendations

The SerDes block requires a clean, tightly regulated source of power (SV_{DD} and XV_{DD}) to ensure low jitter on transmit and reliable recovery of data in the receiver. An appropriate decoupling scheme is outlined below.

Only SMT capacitors must be used to minimize inductance. Connections from all capacitors to power and ground must be done with multiple vias to further reduce inductance.

- First, the board should have at least $10 \times 10\text{-nF}$ SMT ceramic chip capacitors as close as possible to the supply balls of the device. Where the board has blind vias, these capacitors must be placed directly below the chip supply and ground connections. Where the board does not have blind vias, these capacitors must be placed in a ring around the device as close to the supply and ground connections as possible.
- Second, there must be a 1 μF ceramic chip capacitor on each side of the device. This must be done for all SerDes supplies.
- Third, between the device and any SerDes voltage regulator there must be a 10- μF , low ESR SMT tantalum chip capacitor and a 100 μF , low ESR SMT tantalum chip capacitor. This must be done for all SerDes supplies.

3.6 Connection Recommendations

To ensure reliable operation, it is highly recommended to connect unused inputs to an appropriate signal level. All unused active low inputs must be tied to V_{DD} , BV_{DD} , CV_{DD} , OV_{DD} , GV_{DD} , and LV_{DD} as required. All unused active high inputs must be connected to GND. All NC (no-connect) signals must remain unconnected. Power and ground connections must be made to all external V_{DD} , BV_{DD} , CV_{DD} , OV_{DD} , GV_{DD} , LV_{DD} , and GND pins of the device.

The Ethernet controllers 1 and/or 2 input pins may be disabled by setting their respective RCW configuration field EC1 (bits 360–361) and EC2 (bits 363–364) to 0b11 = No parallel mode Ethernet. When disabled, these inputs do not need to be externally pulled to an appropriate signal level.

ECn_GTX_CLK125 is a 125-MHz input clock on the dTSEC ports. If the dTSEC ports are not used for RGMII, the ECn_GTX_CLK125 input can be tied off to GND.

If RCW field I2C = 0b0100 or 0b0101 (RCW bits 354–357), the $SDHC_WP$ and $\overline{SDHC_CD}$ input signals are enabled for external use. If $SDHC_WP$ and $\overline{SDHC_CD}$ are selected and not used, they must be externally pulled low such that $SDHC_WP = 0$ (write enabled) and $\overline{SDHC_CD} = 0$ (card detected).

If RCW field I2C \neq 0b0100 or 0b0101, thereby selecting either I2C3 or GPIO functionality, $SDHC_WP$ and $\overline{SDHC_CD}$ are internally driven such that $SDHC_WP =$ write enabled and $\overline{SDHC_CD} =$ card detected and the selected I2C3 or GPIO external pin functionality may be used.

$\overline{TMP_DETECT}$ pin and $\overline{LP_TMP_DETECT}$ pin are active low input to the Security Monitor (refer to the “Secure Boot and Trust Architecture” chapter of the chip reference manual). If a tamper sensor is used, it must maintain the signal at the specified voltage until a tamper is detected. A 1K pulldown resistor strongly recommended. If Trust is used without tamper sensors, tie high. V_{DD_LP} must be connected even if Low Power features aren’t used. Otherwise, the LP_Section will generate internal errors that will prevent the high power trust section from reaching Trusted/Secure state.

3.6.1 Legacy JTAG Configuration Signals

Correct operation of the JTAG interface requires configuration of a group of system control pins as demonstrated in [Figure 3-9](#). Care must be taken to ensure that these pins are maintained at a valid negated state under normal operating conditions as most have asynchronous behavior and spurious assertion will give unpredictable results.

Boundary-scan testing is enabled through the JTAG interface signals. The \overline{TRST} signal is optional in the IEEE Std 1149.1 specification, but it is provided on all processors built on Power Architecture technology. The device requires \overline{TRST} to be asserted during power-on reset flow to ensure that the JTAG boundary logic does not interfere with normal chip operation. While the TAP controller can be forced to the reset state using only the TCK and TMS signals, generally systems assert \overline{TRST} during the power-on reset flow. Simply tying \overline{TRST} to $\overline{PORESET}$ is not practical because the JTAG interface is also used for accessing the common on-chip processor (COP), which implements the debug interface to the chip.

The COP function of these processors allow a remote computer system (typically, a PC with dedicated hardware and debugging software) to access and control the internal operations of the processor. The COP interface connects primarily through the JTAG port of the processor, with some additional status monitoring signals. The COP port requires the ability to independently assert $\overline{PORESET}$ or \overline{TRST} in order to fully control the processor. If the target system has independent reset sources, such as voltage monitors, watchdog timers, power supply failures, or push-button switches, then the COP reset signals must be merged into these signals with logic.

The arrangement shown in [Figure 3-9](#) allows the COP port to independently assert $\overline{\text{PORESET}}$ or $\overline{\text{TRST}}$, while ensuring that the target can drive $\overline{\text{PORESET}}$ as well.

The COP interface has a standard header, shown in [Figure 3-8](#), for connection to the target system, and is based on the 0.025" square-post, 0.100" centered header assembly (often called a Berg header). The connector typically has pin 14 removed as a connector key.

The COP header adds many benefits such as breakpoints, watch points, register and memory examination/modification, and other standard debugger features. An inexpensive option can be to leave the COP header unpopulated until needed.

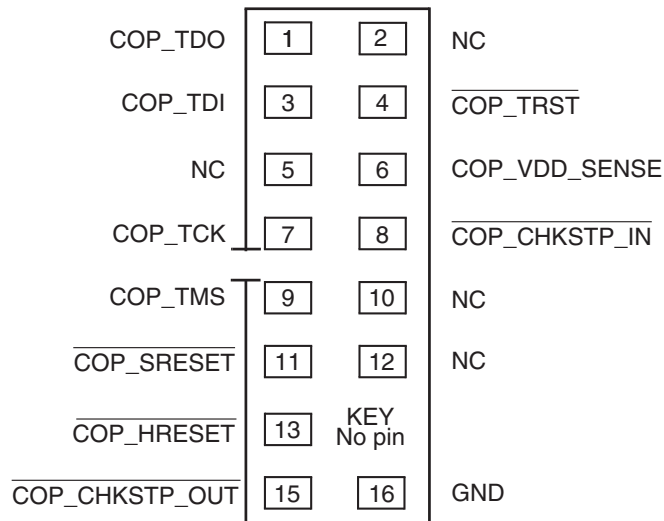
There is no standardized way to number the COP header; so emulator vendors have issued many different pin numbering schemes. Some COP headers are numbered top-to-bottom then left-to-right, while others use left-to-right then top-to-bottom. Still others number the pins counter-clockwise from pin 1 (as with an IC). Regardless of the numbering scheme, the signal placement recommended in [Figure 3-8](#) is common to all known emulators.

3.6.1.1 Termination of Unused Signals

If the JTAG interface and COP header is not used, TELEDYNE e2v recommends the following connections:

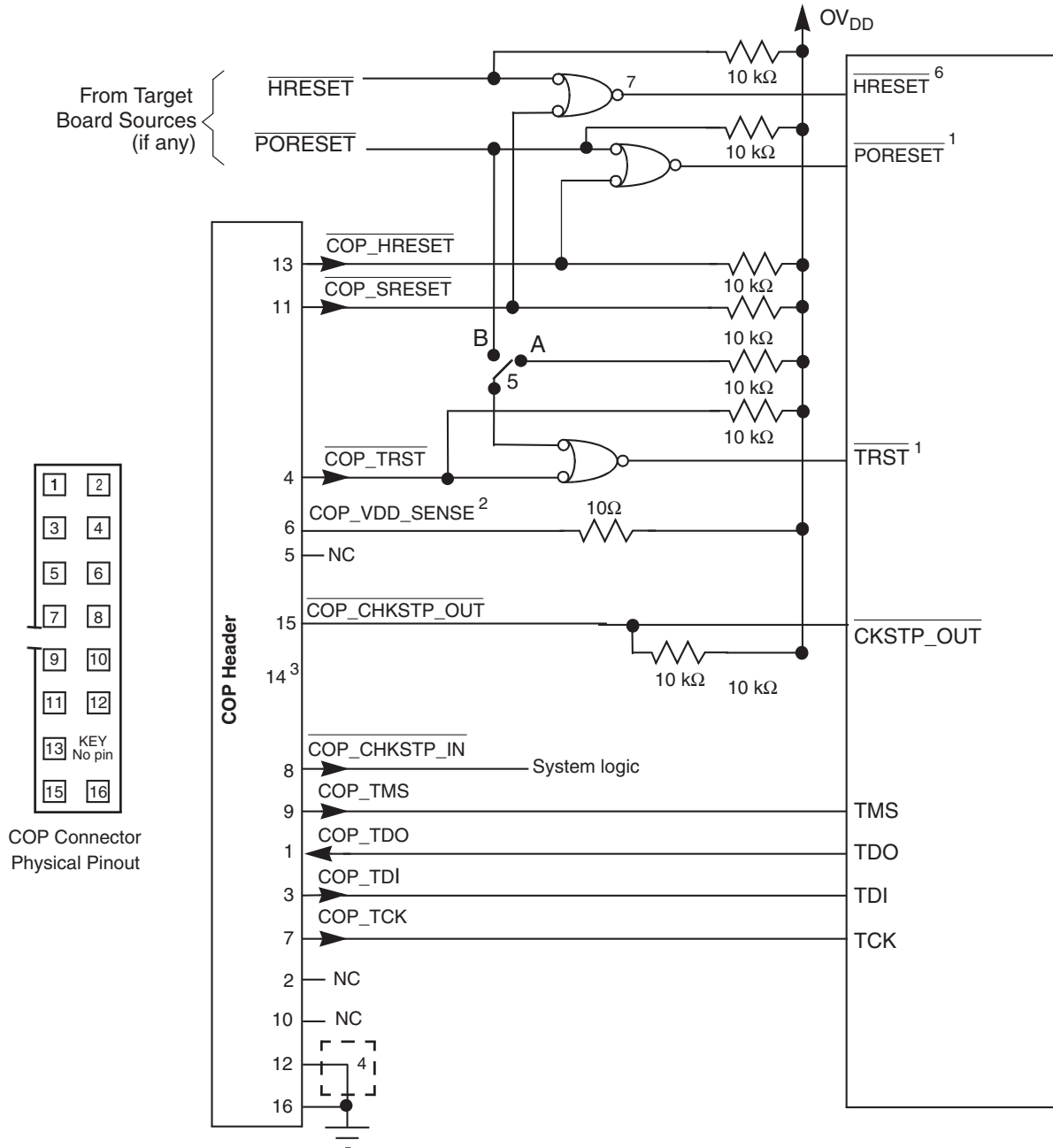
- $\overline{\text{TRST}}$ must be tied to $\overline{\text{PORESET}}$ through a 0 kΩ isolation resistor so that it is asserted when the system reset signal ($\overline{\text{PORESET}}$) is asserted, ensuring that the JTAG scan chain is initialized during the power-on reset flow. TELEDYNE e2v recommends that the COP header be designed into the system as shown in [Figure 3-9](#). If this is not possible, the isolation resistor will allow future access to $\overline{\text{TRST}}$ in case a JTAG interface may need to be wired onto the system in future debug situations.
- No pull-up/pull-down is required for TDI, TMS, or TDO.

Figure 3-8. Legacy COP Connector Physical Pinout



An Important Notice at the end of this datasheet addresses availability, warranty, changes, use in critical applications, intellectual property matters and other important disclaimers

Figure 3-9. Legacy JTAG Interface Connection



- Notes:
1. The COP port and target board must be able to independently assert $\overline{\text{PORESET}}$ and $\overline{\text{TRST}}$ to the processor in order to fully control the processor as shown here.
 2. Populate this with a 10Ω resistor for short-circuit/current-limiting protection.
 3. The KEY location (pin 14) is not physically present on the COP header.
 4. Although pin 12 is defined as a No-Connect, some debug tools may use pin 12 as an additional GND pin for improved signal integrity.
 5. This switch is included as a precaution for BSDL testing. The switch must be closed to position A during BSDL testing to avoid accidentally asserting the $\overline{\text{TRST}}$ line. If BSDL testing is not being performed, this switch must be closed to position B.
 6. Asserting $\overline{\text{HRESET}}$ causes a hard reset on the device.
 7. This is an open-drain gate.

An Important Notice at the end of this datasheet addresses availability, warranty, changes, use in critical applications, intellectual property matters and other important disclaimers

3.6.2 Aurora Configuration Signals

Correct operation of the Aurora interface requires configuration of a group of system control pins as demonstrated in [Figure 3-10](#) and [Figure 3-11](#). Care must be taken to ensure that these pins are maintained at a valid negated state under normal operating conditions as most have asynchronous behavior and spurious assertion will give unpredictable results.

TELEDYNE e2v recommends that the Aurora 22 pin duplex connector be designed into the system as shown in [Figure 3-12](#) or the 70 pin duplex connector be designed into the system as shown in [Figure 3-13](#).

If the Aurora interface is not used, TELEDYNE e2v recommends the legacy COP header be designed into the system as described in [Section 3.6.1.1 "Termination of Unused Signals" on page 122](#).

Figure 3-10. Aurora 22 Pin Connector Duplex Pinout

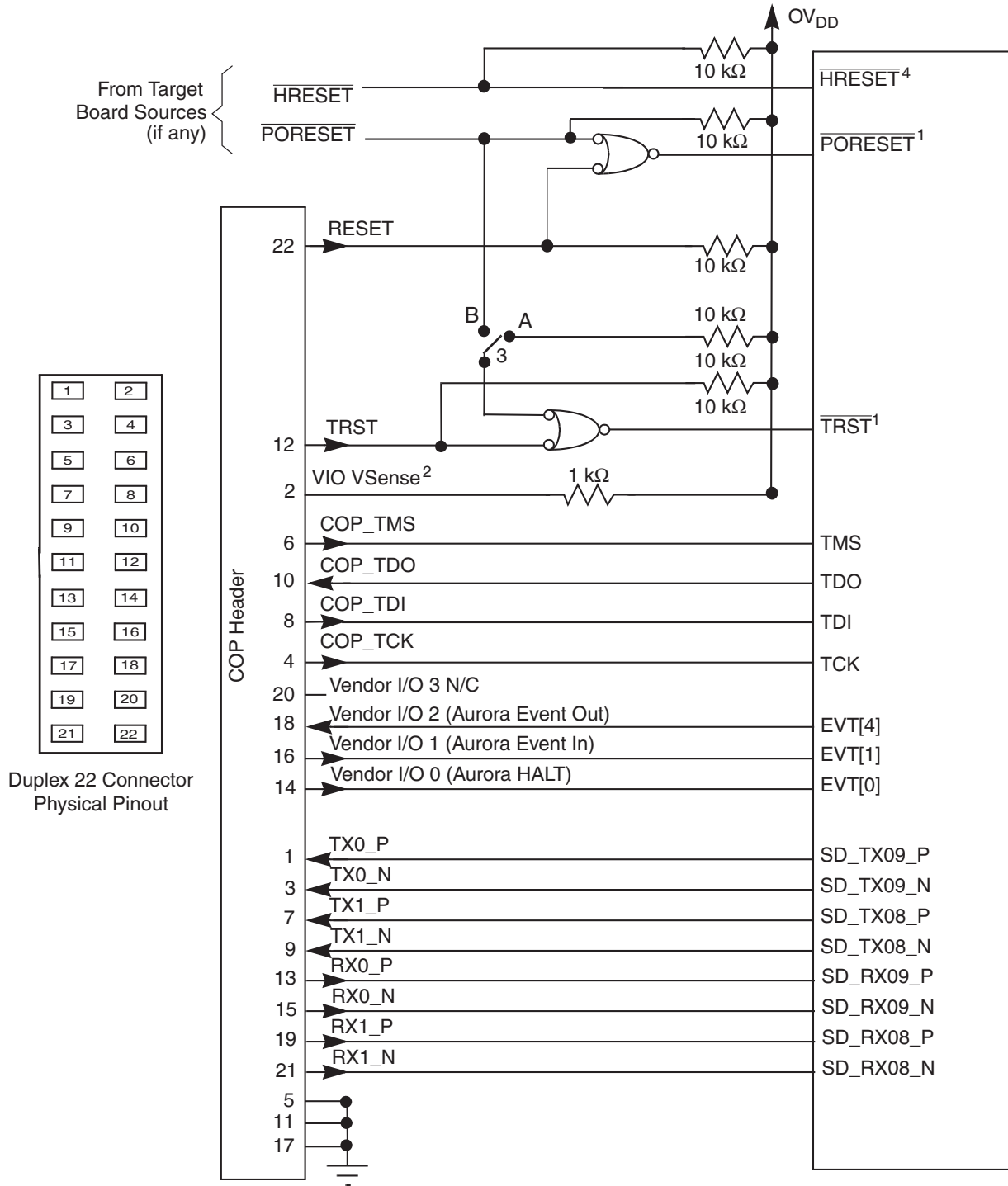
TX0+	1	2	VIO (VSense)
TX0-	3	4	TCK
GND	5	6	TMS
TX1+	7	8	TDI
TX1-	9	10	TDO
GND	11	12	TRST
RX0+	13	14	Vendor I/O 0
RX0-	15	16	Vendor I/O 1
GND	17	18	Vendor I/O 2
RX1+	19	20	Vendor I/O 3
RX1-	21	22	RESET

Figure 3-11. Aurora 70 Pin Connector Duplex Pinout

TX0+	1	2	VIO (VSense)
TX0-	3	4	TCK
GND	5	6	TMS
TX1+	7	8	TDI
TX1-	9	10	TDO
GND	11	12	TRST
RX0+	13	14	Vendor I/O 0
RX0-	15	16	Vendor I/O 1
GND	17	18	Vendor I/O 2
RX1+	19	20	Vendor I/O 3
RX1-	21	22	RESET
GND	23	24	GND
TX2+	25	26	CLK+
TX2-	27	28	CLK-
GND	29	30	GND
TX3+	31	32	Vendor I/O 4
TX3-	33	34	Vendor I/O 5
GND	35	36	GND
RX2+	37	38	N/C
RX2-	39	40	N/C
GND	41	42	GND
RX3+	43	44	N/C
RX3-	45	46	N/C
GND	47	48	GND
TX4+	49	50	N/C
TX4-	51	52	N/C
GND	53	54	GND
TX5+	55	56	N/C
TX5-	57	58	N/C
GND	59	60	GND
TX6+	61	62	N/C
TX6-	63	64	⊘
GND	65	66	GND
TX7+	67	68	N/C
TX7-	69	70	N/C

An Important Notice at the end of this datasheet addresses availability, warranty, changes, use in critical applications, intellectual property matters and other important disclaimers

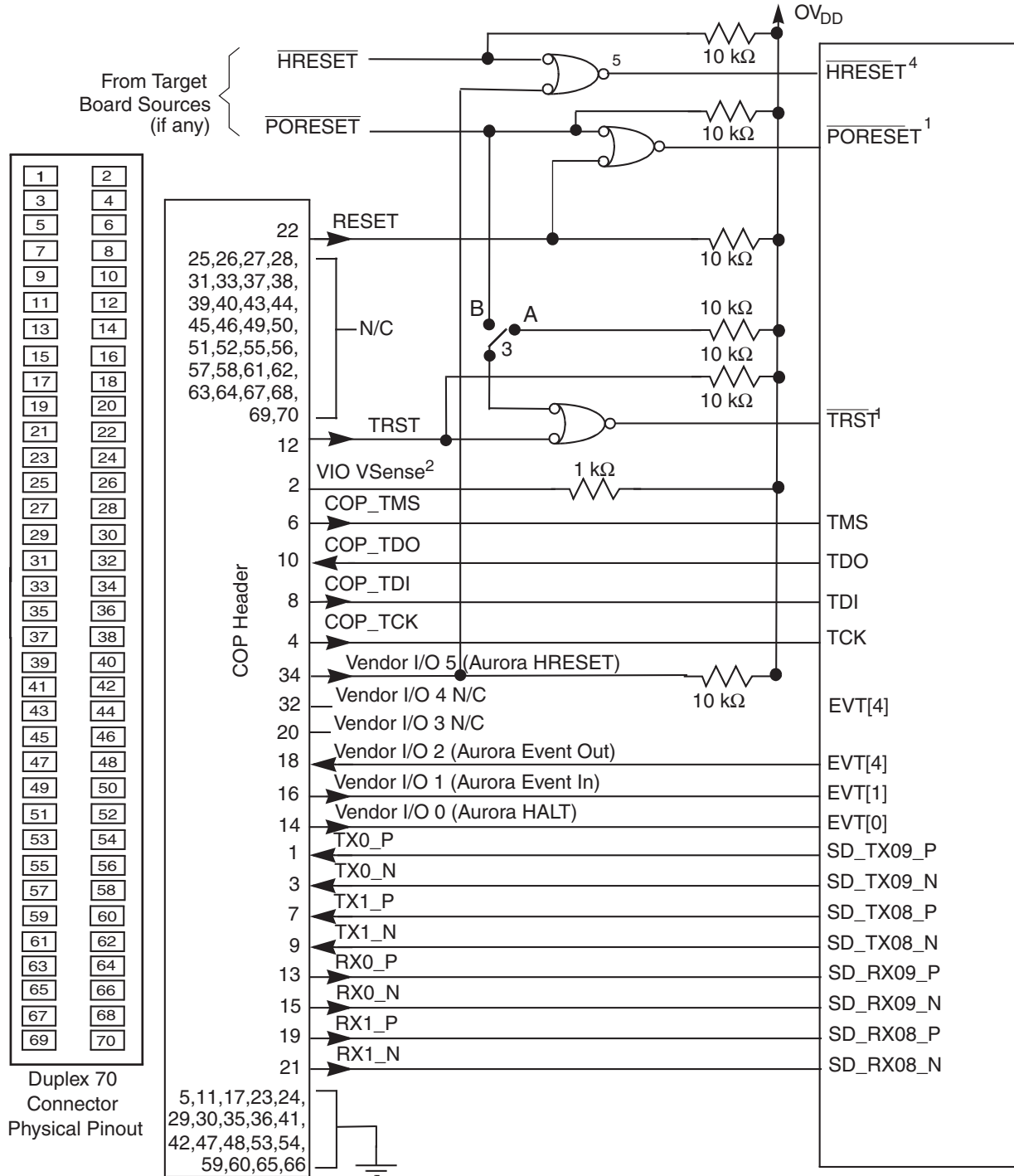
Figure 3-12. Aurora 22 Pin Connector Duplex Interface Connection



- Notes:
1. The Aurora port and target board must be able to independently assert $\overline{\text{PORESET}}$ and $\overline{\text{TRST}}$ to the processor in order to fully control the processor as shown here.
 2. Populate this with a 1 kΩ resistor for short-circuit/current-limiting protection.
 3. This switch is included as a precaution for BSDL testing. The switch must be closed to position A during BSDL testing to avoid accidentally asserting the $\overline{\text{TRST}}$ line. If BSDL testing is not being performed, this switch must be closed to position B.
 4. Asserting $\overline{\text{HRESET}}$ causes a hard reset on the device. $\overline{\text{HRESET}}$ is not used by the Aurora 22 pin connector.

An Important Notice at the end of this datasheet addresses availability, warranty, changes, use in critical applications, intellectual property matters and other important disclaimers

Figure 3-13. Aurora 70 Pin Connector Duplex Interface Connection



- Notes:
- The Aurora port and target board must be able to independently assert $\overline{PORESET}$ and \overline{TRST} to the processor in order to fully control the processor as shown here.
 - Populate this with a 1 kΩ resistor for short-circuit/current-limiting protection.
 - This switch is included as a precaution for BSDL testing. The switch must be closed to position A during BSDL testing to avoid accidentally asserting the \overline{TRST} line. If BSDL testing is not being performed, this switch must be closed to position B.
 - Asserting \overline{HRESET} causes a hard reset on the device.
 - This is an open-drain gate.

An Important Notice at the end of this datasheet addresses availability, warranty, changes, use in critical applications, intellectual property matters and other important disclaimers

3.6.3 Guidelines for High-Speed Interface Termination

This section provides the guidelines for when the SerDes interface is either entirely unused or partly unused.

3.6.3.1 *SerDes Interface Entirely Unused*

If the high-speed SerDes interface is not used at all, the unused pin must be terminated as described in this section. The following pins must be left unconnected:

- SD_TX[7:2], SD_TX[13:10]
- $\overline{\text{SD_TX}}[7:2]$, $\overline{\text{SD_TX}}[13:10]$
- SD_IMP_CAL_RX
- SD_IMP_CAL_TX

The following pins must be connected to SGND:

- SD_RX[7:2], SD_RX[13:10]
- $\overline{\text{SD_RX}}[13:10]$, $\overline{\text{SD_RX}}[13:10]$
- SD_REF_CLK1, SD_REF_CLK2
- $\overline{\text{SD_REF_CLK1}}$, $\overline{\text{SD_REF_CLK2}}$

In the RCW configuration fields SRDS_LPD_B1 and SRDS_LPD_B2, all bits must be set to power down all the lanes in each bank. RCW configuration field SRDS_EN may be cleared to power down the SerDes block for power saving. Setting

RCW[SRDS_EN] = 0 power-downs the PLLs of both banks.

Additionally, software may configure SRDSBnRSTCTL[SDRD] = 1 for the unused banks to power down the SerDes bank PLLs to save power.

Note that both SV_{DD} and XV_{DD} must remain powered.

3.6.3.2 *SerDes Interface Partly Unused*

If only part of the high speed SerDes interface pins are used, the remaining high-speed serial I/O pins must be terminated as described in this section.

The following unused pins must be left unconnected:

- SD_TX[n]
- $\overline{\text{SD_TX}}[n]$

The following unused pins must be connected to SGND:

- SD_RX[n]
- $\overline{\text{SD_RX}}[n]$
- SD_REF_CLK1, $\overline{\text{SD_REF_CLK1}}$ (If entire SerDes bank 1 unused)
- SD_REF_CLK2, $\overline{\text{SD_REF_CLK2}}$ (If entire SerDes bank 2 unused)

In the RCW configuration field for each bank SRDS_LPD_Bn with unused lanes, the respective bit for each unused lane must be set to power down the lane.

3.6.4 USB Controller Connections

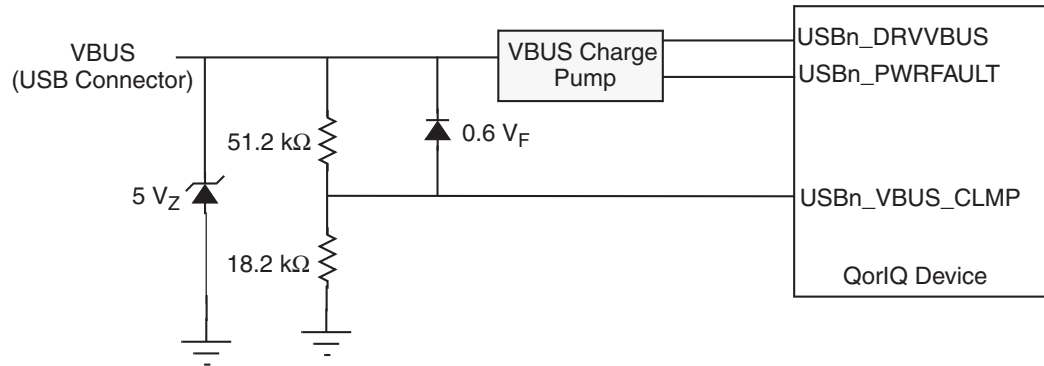
This section details the hardware connections required for the USB controllers.

3.6.4.1 USB Divider Network

This figure shows the required divider network for the VBUS interface for the device. Additional requirements for the external components are as follows:

- Both resistors require 0.1% accuracy and a current capability of up to 1 mA. They must both have the same temperature coefficient and accuracy.
- The zener diode must have a value of 5 V-5.25 V.
- The 0.6 V diode requires an $I_F = 10 \text{ mA}$, $I_R < 500 \text{ nA}$ and $V_{F(\text{Max})} = 0.8 \text{ V}$.

Figure 3-14. Divider Network at VBUS



USB1_DRVVBUS and USB1_PWRFAULT are muxed on GPIO[25] and GPIO[27] pins, respectively. USB2_DRVVBUS and USB2_PWRFAULT are muxed on GPIO[6:7] pins, respectively. Setting RCW[GPIO] selects USB functionality on the GPIO pins.

3.6.4.2 USBn_V_{DD}_1P8_DECAP Capacitor Options

The USBn_V_{DD}_1P8_DECAP pins require a capacitor connected to GND.

This table lists the recommended capacitors for the USBn_V_{DD}_1P8_DECAP signal.

Table 3-14. Recommended Capacitor Parts for USBn_V_{DD}_1P8_DECAP

Manufacturer	Part Number	Value	ESR	Package
Kemet	T494B105(1)025A(2)	1 μF , 25 V	2 Ω	B(3528)
	T494B155(1)025A(2)	1.5 μF , 25 V	1.5 Ω	–
NIC	NMC0603X7R106KTRPF	1 μF , 10 V	Low ESR	0603
TDK Corporation	CERB2CX5R0G105M	1 μF , 4 V	200 m Ω	0603
Vishay	TR3B105(1)035(2)1500	1 μF , 35 V	1.5 Ω	B(3528)

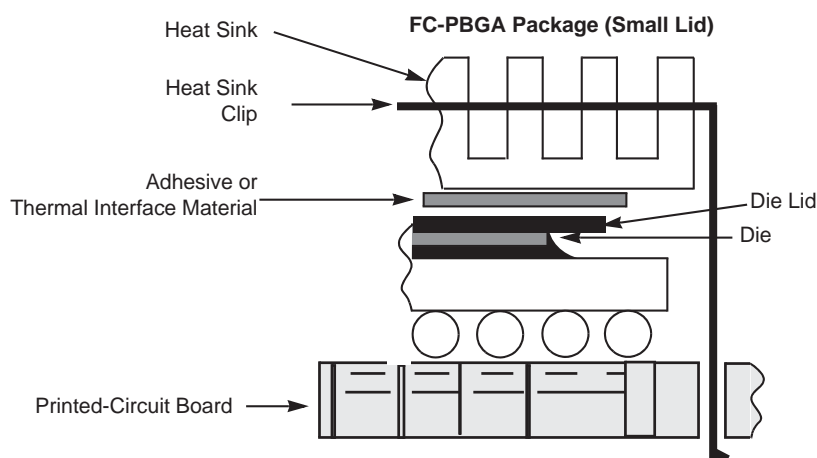
3.7 Recommended Thermal Model

Information about Flotherm models of the package or thermal data not available in this document can be obtained from your local TELEDYNE e2v sales office.

3.8 Thermal Management Information

This section provides thermal management information for the flip chip plastic ball grid array (FC-PBGA) package for air-cooled applications. Proper thermal control design is primarily dependent on the system-level design: the heat sink, airflow, and thermal interface material. The recommended attachment method to the heat sink is illustrated in [Figure 3-15](#). The heat sink must be attached to the printed-circuit board with the spring force centered over the die. This spring force should not exceed 10 pounds force (45 Newton).

Figure 3-15. Package Exploded Cross-Sectional View: FC-PBGA (w/ Lid) Package



The system board designer can choose between several types of heat sinks to place on the device. There are several commercially-available thermal interfaces to choose from in the industry. Ultimately, the final selection of an appropriate heat sink depends on many factors, such as thermal performance at a given air velocity, spatial volume, mass, attachment method, assembly, and cost.

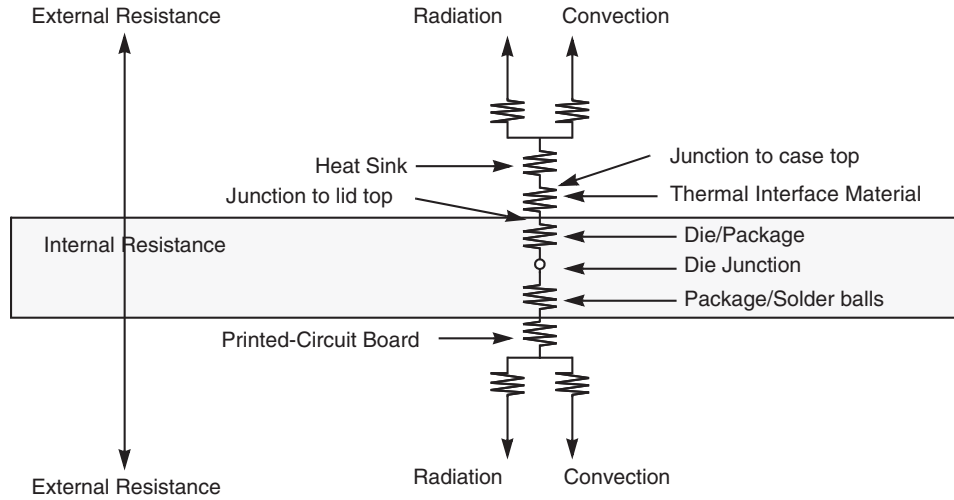
3.8.1 Internal Package Conduction Resistance

For the package, the intrinsic internal conduction thermal resistance paths are as follows:

- The die junction-to-case thermal resistance
- The die junction-to-lid-top thermal resistance
- The die junction-to-board thermal resistance

Figure 3-16 depicts the primary heat transfer path for a package with an attached heat sink mounted to a printed-circuit board.

Figure 3-16. Package with Heat Sink Mounted to a Printed-Circuit Board



(Note the internal versus external package resistance)

The heat sink removes most of the heat from the device. Heat generated on the active side of the chip is conducted through the silicon and through the heat sink attach material (or thermal interface material), and finally to the heat sink. The junction-to-case thermal resistance is low enough that the heat sink attach material and heat sink thermal resistance are the dominant terms.

3.8.2 Thermal Interface Materials

A thermal interface material is required at the package-to-heat sink interface to minimize the thermal contact resistance. The performance of thermal interface materials improves with increasing contact pressure; this performance characteristic chart is generally provided by the thermal interface vendor. The recommended method of mounting heat sinks on the package is by means of a spring clip attachment to the printed-circuit board (see Figure 3-15).

The system board designer can choose among several types of commercially-available thermal interface materials.

3.8.3 Temperature Diode

The chip has a temperature diode on the microprocessor that can be used in conjunction with other system temperature monitoring devices (such as Analog Devices, ADT7461A™). These devices use the negative temperature coefficient of a diode operated at a constant current to determine the temperature of the microprocessor and its environment.

The following are the specifications of the chip’s on-board temperature diode:

- Operating range: 10 – 230 μ A
- Ideality factor over 13.5 – 220 μ A: $n = 1.00589 \pm 0.008$

An Important Notice at the end of this datasheet addresses availability, warranty, changes, use in critical applications, intellectual property matters and other important disclaimers

4. Package Information

The following section describes the detailed content and mechanical description of the package.

4.1 Package Parameters for the FC-PBGA

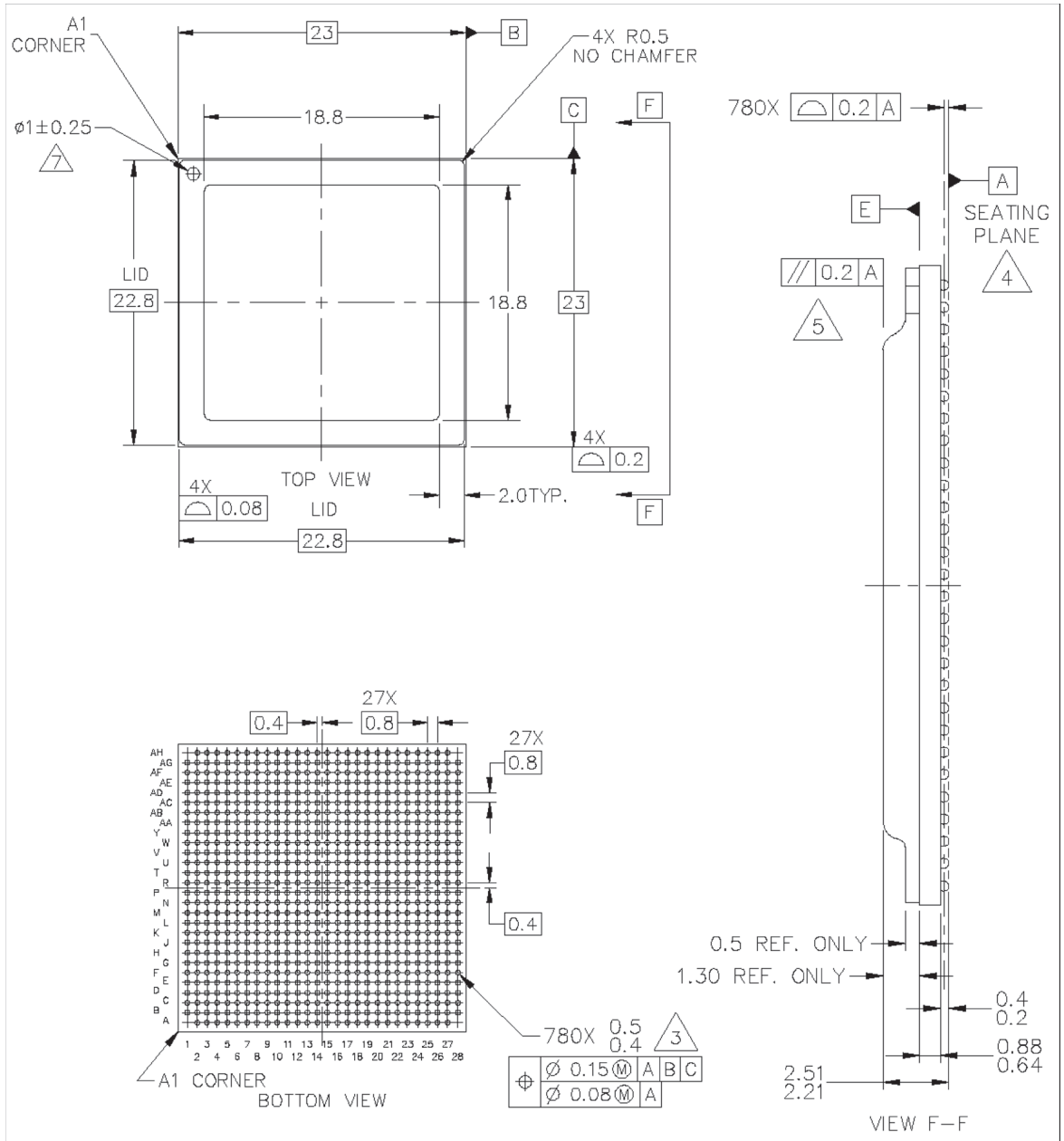
The package parameters are as provided in the following list. The package type is 23 mm × 23 mm, 780 flip chip plastic ball grid array (FC-PBGA).

Package outline	23 mm × 23 mm
Interconnects	780
Ball Pitch	0.8 mm
Ball Diameter (typical)	0.40 mm
Solder Balls	96.5% Sn, 3% Ag, 0.5% Cu
Module height (typical)	2.21 mm to 2.51 mm (Maximum)

4.2 Mechanical Dimensions of the FC-PBGA

This figure shows the mechanical dimensions and bottom surface nomenclature of the device.

Figure 4-1. Mechanical Dimensions of the FC-PBGA with Full Lid



- Notes:
1. All dimensions are in millimeters.
 2. Dimensions and tolerances per ASME Y14.5M-1994.
 3. Maximum solder ball diameter measured parallel to datum A.
 4. Datum A, the seating plane, is determined by the spherical crowns of the solder balls.
 5. Parallelism measurement excludes any effect of mark on top surface of package.
 6. All dimensions are symmetric across the package center lines unless dimensioned otherwise.
 7. Pin 1 thru hole is centered within foot area.

An Important Notice at the end of this datasheet addresses availability, warranty, changes, use in critical applications, intellectual property matters and other important disclaimers

5. Security Fuse Processor

The device implements the QorIQ platform's Trust Architecture supporting capabilities such as secure boot. Use of the Trust Architecture features is dependent on programming fuses in the Security Fuse Processor (SFP). The details of the Trust Architecture and SFP can be found in the chip reference manual.

In order to program SFP fuses, the user is required to supply 1.5 V to the POV_{DD} pin per [Section 2.2 "Power Up Sequencing" on page 38](#). POV_{DD} should only be powered for the duration of the fuse programming cycle, with a per device limit of two fuse programming cycles. All other times POV_{DD} must be connected to GND. The sequencing requirements for raising and lowering POV_{DD} are shown in [Figure 2-2](#). To ensure device reliability, fuse programming must be performed within the recommended fuse programming temperature range per [Table 2-2](#).

Users not implementing the QorIQ platform's Trust Architecture features are not required to program fuses and should connect POV_{DD} to GND.

6. Ordering Information

Contact your local TELEDYNE e2v sales office or regional marketing team for ordering information.

This table provides the TELEDYNE e2v QorIQ platform part numbering nomenclature. Not all possible combinations of part numbers implied by the part numbering scheme are supported. For a list of available part numbers, contact your TELEDYNE e2v Sales office. Each part number also contains a revision code which refers to the die mask revision number.

Table 6-1. Ordering Information

p	n	nn	n	t	e	n	c	d	r
Generation	Platform	Number of Cores	Derivative	Temperature Range	Encryption	Package Type	CPU Freq	DDR Data Rate	Die Revision
P(X) = 45 nm	2	04	1	F = -40/+125 M = -55/+125	E = SEC present N = SEC not present	3 = FC-PBGA C4: Lead free C5: Leaded 7 = FC-PBGA C4/C5: Lead free	M = 1200 MHz N = 1333 MHz P = 1500 MHz	M = 1200 MT/s N = 1333 MT/s	B = Rev 1.1 C = Rev 2

- Notes:
- For availability of the different versions, contact your local TELEDYNE e2v sales office.
 - The letter X in the part number designates a "Prototype" product that has not been qualified by TELEDYNE e2v. Reliability of a PCX part-number is not guaranteed and such part-number shall not be used in Flight Hardware. Product changes may still occur while shipping prototypes.
 - Processor core frequencies supported by parts addressed by this specification only. Not all parts described in this specification support all core frequencies. Additionally, parts addressed by part number specifications may support other maximum core frequencies.

7. Definitions

7.1 Life Support Applications

These products are not designed for use in life support appliances, devices or systems where malfunction of these products can reasonably be expected to result in personal injury. TELEDYNE e2v customers using or selling these products for use in such applications do so at their own risk and agree to fully indemnify TELEDYNE e2v for any damages resulting from such improper use or sale.

8. Revision History

This table provides revision history for this document.

Table 8-1. Revision History

Rev. No	Date	Substantive Change(s)
DS 60S 221589(E)	01/2022	Change of the document reference Updated Table 2-44 , "USB DC Electrical Characteristics (USB_V _{DD_3P3} = 3.3 V) (For Recommended Operating Conditions, see Table 2-2)," on page 66
1103D	09/2017	Updated Table 2-5 , "Device Power Dissipation," on page 41
1103C	05/2014	Updated Table 2-5 , "Device Power Dissipation," on page 41
1103B	09/2013	Updated Table 6-1 , "Ordering Information," on page 134 with added C = Rev 2 and changed Package Type.
1103A	11/2012	Initial revision

An Important Notice at the end of this datasheet addresses availability, warranty, changes, use in critical applications, intellectual property matters and other important disclaimers

Table of Contents

	MAIN FEATURES	1
1	Pin Assignments and Reset States	2
	1.1780 FC-PBGA Ball Layout Diagrams	2
	1.2Pinout List	8
2	Electrical Characteristics	33
	2.1Overall DC Electrical Characteristics	33
	2.2Power Up Sequencing	38
	2.3Power Down Requirements	40
	2.4Power Characteristics	41
	2.5Thermal	44
	2.6Input Clocks	44
	2.7RESET Initialization	47
	2.8Power-on Ramp Rate	47
	2.9DDR3 and DDR3L SDRAM Controller	48
	2.10eSPI	55
	2.11DUART	57
	2.12Ethernet: Data path Three-Speed Ethernet (dTSEC), Management Interface, IEEE Std 1588	58
	2.13USB	66
	2.14Enhanced Local Bus Interface	67
	2.15Enhanced Secure Digital Host Controller (eSDHC)	71
	2.16Multicore Programmable Interrupt Controller (MPIC) Specifications	73
	2.17JTAG Controller	74
	2.18I2C	76
	2.19GPIO	78
	2.20High-Speed Serial Interfaces (HSSI)	79
3	Hardware Design Considerations	110
	3.1System Clocking	110
	3.2Supply Power Default Setting	116
	3.3Power Supply Design	117
	3.4Decoupling Recommendations	120
	3.5SerDes Block Power Supply Decoupling Recommendations	120
	3.6Connection Recommendations	121

3.7	Recommended Thermal Model	129
3.8	Thermal Management Information	130
4	Package Information	132
4.1	Package Parameters for the FC-PBGA	132
4.2	Mechanical Dimensions of the FC-PBGA	133
5	Security Fuse Processor	134
6	Ordering Information	134
7	Definitions	134
7.1	Life Support Applications	134
8	Revision History	135

IMPORTANT NOTICE

Teledyne e2v provides technical and reliability data, including datasheets, design resources, application and other recommendations ("Resources") "as is" at the date of its disclosure.

All Teledyne e2v Resources are subject to change without notice to improve reliability, function or design, or otherwise.

These Resources are intended for skilled developers designing with Teledyne e2v products. You are solely responsible for a. selecting the appropriate Teledyne e2v products for your application, b. designing, validating and testing your application, and c. ensuring your application meets applicable standards, and any other safety, security, or other requirements.

Teledyne e2v makes no warranty, representation or guarantee regarding the suitability of these Resources for any particular purpose, or the continuing production of any of its products. Teledyne e2v grants you permission to use these Resources only for the development of an application that uses the Teledyne e2v products described in the Resource. Other reproduction and display of these Resources are not permitted. No license, express or implied, to Teledyne e2v intellectual property right or to any third party intellectual property right is granted by this document or by the conduct of Teledyne e2v.

To the maximum extent permitted by law, Teledyne e2v disclaims (i) any and all liability for any errors, inaccuracies or incompleteness contained in these Resources, or arising out of the application of or use of these Resources, and (ii) any and all express or implied warranties, including those of merchantability, fitness for a particular purpose or non-infringement of intellectual property rights. You shall fully indemnify Teledyne e2v against, any claims, damages, costs, losses, and liabilities arising out of your application of or use of these Resources.

Teledyne e2v's acceptance of any products purchase orders is expressly conditioned upon your assent to Teledyne e2v's General Terms and Conditions of Sale which are stated in any Teledyne e2v's offer and can be found at www.teledyne-e2v.com/about-us/terms-and-conditions/.

The provision of these Resources by Teledyne e2v does not expand or otherwise alter Teledyne e2v's applicable warranties or warranty disclaimers for Teledyne e2v products.

Mailing Address: Teledyne e2v Semiconductors SAS, Avenue de Rochepleine, 38120 Saint Egrève, France.

Telephone: +33 4 76 58 30 00

e-mail: hotline-std@teledyne.com

Copyright © 2022, Teledyne e2v Semiconductors SAS

